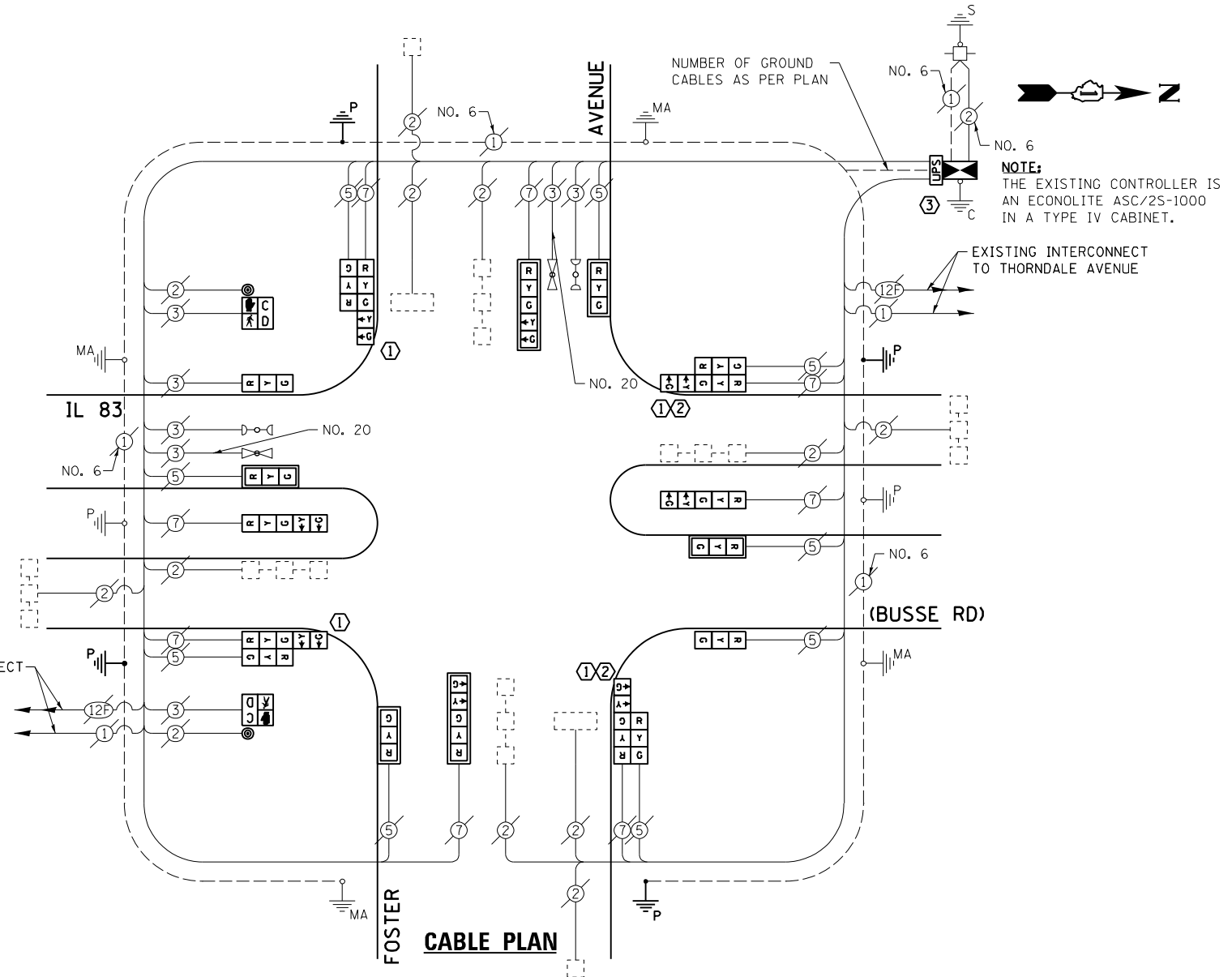


SCHEDULE OF QUANTITIES
IL 83 (BUSSE RD) AT FOSTER AVENUE

NO.	QUANT.	UNIT	DESCRIPTION
1.	1	EACH	MAINTENANCE OF EXISTING TRAFFIC SIGNAL INSTALLATION
2.	1	EACH	TRANSCEIVER - FIBER OPTIC
3.	4	EACH	TRAFFIC SIGNAL POST, GALVANIZED STEEL 16 FT.
4.	4	EACH	SIGNAL HEAD, LED, 1-FACE, 3-SECTION, MAST-ARM MOUNTED
5.	2	EACH	SIGNAL HEAD, LED, 1-FACE, 3-SECTION, BRACKET MOUNTED
6.	2	EACH	SIGNAL HEAD, LED, 1-FACE, 5-SECTION, BRACKET MOUNTED
7.	2	EACH	SIGNAL HEAD, LED, 1-FACE, 5-SECTION, MAST-ARM MOUNTED
8.	4	EACH	SIGNAL HEAD, LED, 2-FACE, 1-3 SECTION, 1-5 SECTION, BRACKET MOUNTED
9.	2	EACH	PEDESTRIAN SIGNAL HEAD, LED, 1-FACE, BRACKET MOUNTED WITH COUNTDOWN TIMER
10.	6	EACH	TRAFFIC SIGNAL BACKPLATE, LOUVERED, ALUMINUM
11.	10	EACH	INDUCTIVE LOOP DETECTOR
12.	2	EACH	PEDESTRIAN PUSH-BUTTON
13.	1	EACH	REMOVE EXISTING TRAFFIC SIGNAL EQUIPMENT
14.	1	EACH	FULL-ACTUATED CONTROLLER AND TYPE IV CABINET, SPECIAL
15.	1	EACH	UNINTERRUPTIBLE POWER SUPPLY, SPECIAL



- CONSTRUCTION NOTES:**
- ① REMOVE EXISTING SIGNAL HEADS AND REPLACE EXISTING 16 FOOT PAINTED POST. INSTALL NEW SIGNAL HEADS ON NEW 16 FOOT GALVANIZED STEEL POST. REUSE EXISTING TYPE "A" CONCRETE FOUNDATION AND EXISTING CABLES.
 - ② REMOVE EXISTING PEDESTRIAN SIGNAL HEAD AND PUSH-BUTTON AND ABANDON ALL EXISTING CABLES.
 - ③ RELOCATION OF THE EXISTING PHASING UNIT FOR THE EMERGENCY VEHICLE PRE-EMPTION SYSTEM IS TO BE INCLUDED IN THE COST OF THE PAY ITEM "FULL ACTUATED CONTROLLER AND CABINET OF THE TYPE SPECIFIED."

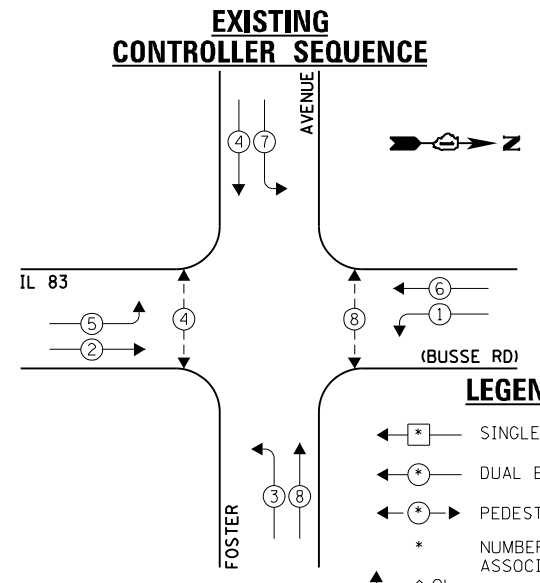
THE FOLLOWING ITEMS SHALL BE REMOVED BY THE CONTRACTOR AND SHALL BE DISPOSED OF BY THEM OUTSIDE THE RIGHT-OF-WAY AT THEIR EXPENSE. THE SALVAGE VALUE OF THE REMOVED EQUIPMENT SHALL BE REFLECTED IN THE CONTRACT BID PRICE.

- 1 EACH CONTROLLER AND CABINET (COMPLETE)
- 6 EACH TRAFFIC SIGNAL HEAD, 1-FACE, 3-SECTION
- 4 EACH TRAFFIC SIGNAL HEAD, 1-FACE, 5-SECTION
- 4 EACH TRAFFIC SIGNAL HEAD, 2-FACE, 1-3 SECTION, 1-5 SECTION
- 4 EACH TRAFFIC SIGNAL POST
- 4 EACH PEDESTRIAN SIGNAL HEAD, 1-FACE
- 6 EACH TRAFFIC SIGNAL BACKPLATE
- 4 EACH PEDESTRIAN PUSH-BUTTON

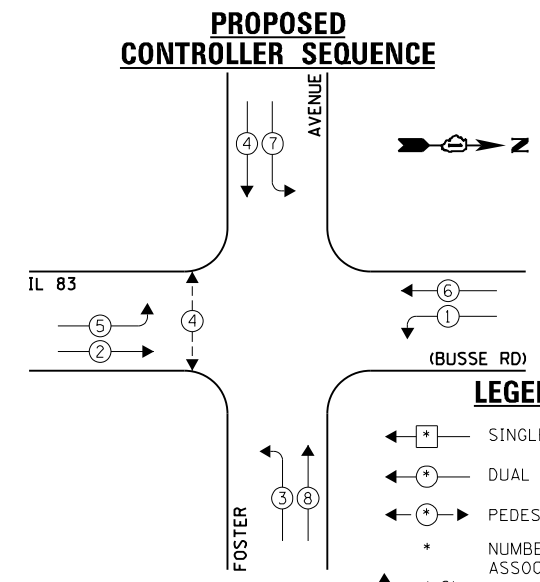
I.D.O.T. TRAFFIC SIGNAL INSTALLATION ELECTRICAL SERVICE REQUIREMENTS					TOTAL WATTAGE
TYPE	NO. LAMPS	INCAND.	L.E.D.	OPERATION	
SIGNAL (RED)	18	135	17	0.50	153.0
SIGNAL (YELLOW)	18	135	25	0.25	112.5
SIGNAL (GREEN)	18	135	15	0.25	67.5
ARROW	16	135	12	0.10	19.2
PED. SIGNAL	2	90	25	1.00	50.0
CONTROLLER	1	-	100	1.00	100.0
LUMINAIRE	-	-	250	0.50	-
L.E.D. ST. NAME SIGN	-	-	64	0.50	-
VIDEO SYSTEM	-	-	150	1.00	-
BATTERY BACKUP	1	-	25	1.00	25.0
ILLUMINATED SIGN	-	-	25	0.05	-
TOTAL =					527.2

ENERGY COSTS - BILLED TO: IL DEPARTMENT OF TRANSPORTATION (ADDRESS) 201 W. CENTER COURT (ADDRESS) SCHAMBURG, IL 60196-1096
ENERGY SUPPLY - CONTACT: JOE STACHO (PHONE: (630) 424-5704) COMPANY: CQM-ED

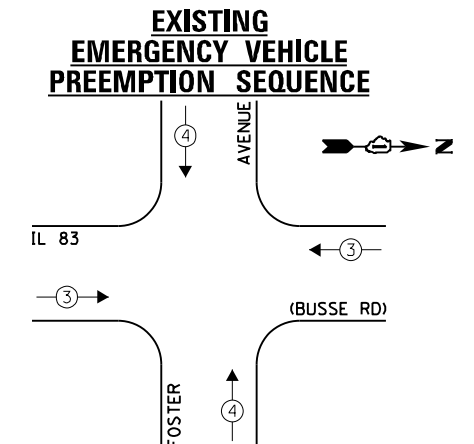
THE TRAFFIC SIGNAL CONTROL EQUIPMENT FOR THIS PROJECT SHALL BE "ECONOLITE" TO MATCH THE EXISTING ADJACENT SYSTEM.



EXISTING PHASE DESIGNATION DIAGRAM



PROPOSED PHASE DESIGNATION DIAGRAM



EXISTING EMERGENCY VEHICLE PREEMPTORS	
EMERGENCY VEHICLE PREEMPTOR	3 4
MOVEMENT	→ ↑

FILE NAME = 60V80-038-ts.dgn	USER NAME = zwallsten	DESIGNED - JRD	REVISED -
Default	PLOT SCALE = 1:20	DRAWN - ZCW	REVISED -
	PLOT DATE = 12/20/2012	CHECKED - KLB	REVISED -
		DATE - 12-20-12	REVISED -

STATE OF ILLINOIS
DEPARTMENT OF TRANSPORTATION

SCHEDULE OF QUANTITIES, CABLE PLAN, PHASE DESIGNATION DIAGRAM, & EMERGENCY VEHICLE PREEMPTION SEQUENCE
IL 83 (BUSSE RD) AT FOSTER AVENUE

F.A. RTÉ. VARIES	SECTION 2012-070 I	COUNTY DuPAGE	TOTAL SHEETS 103	SHEET NO. 38
SCALE: NONE SHEET OF SHEETS STA. TO STA.			CONTRACT NO. 60V80	
ILLINOIS FED. AID PROJECT				