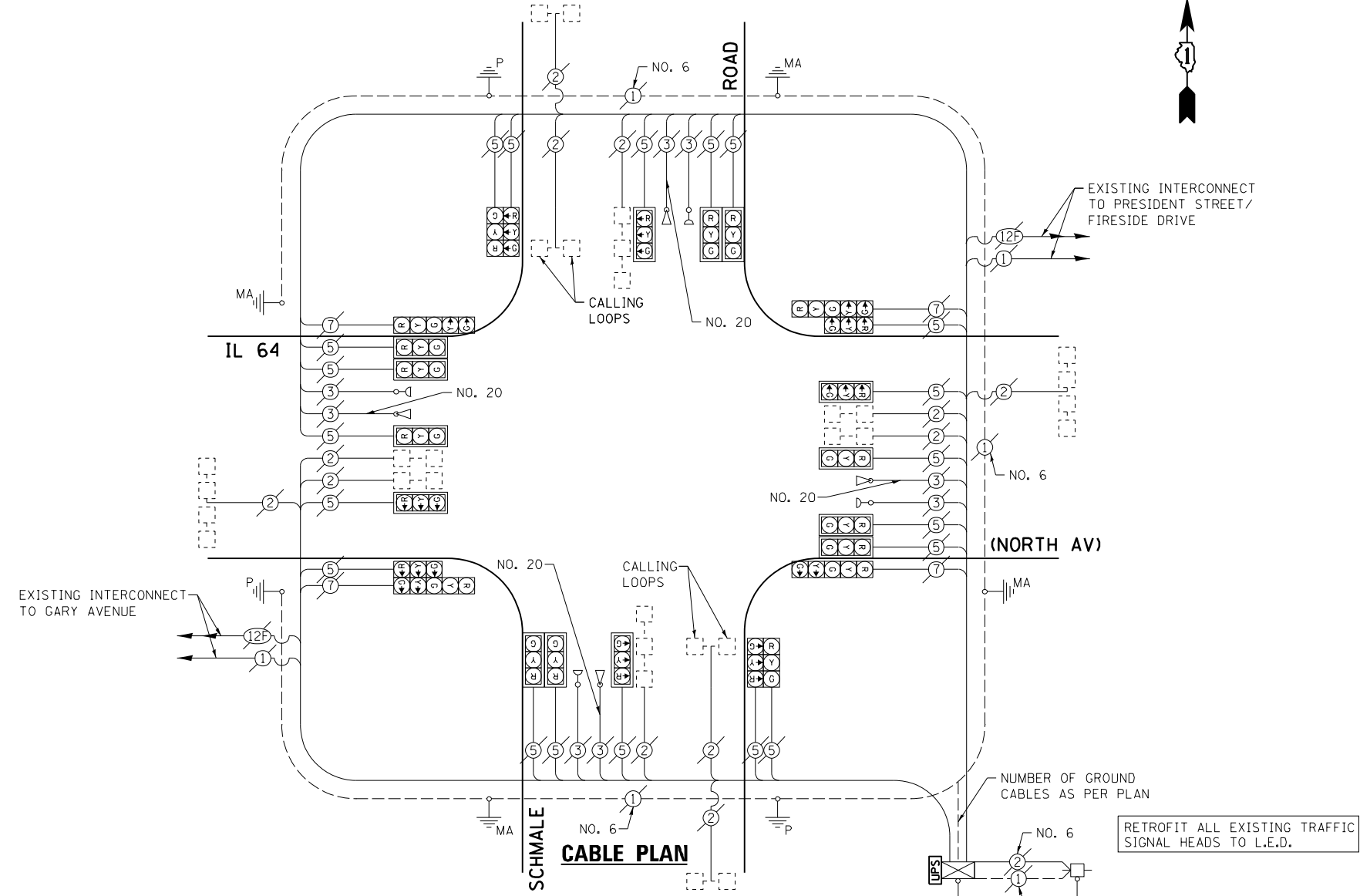


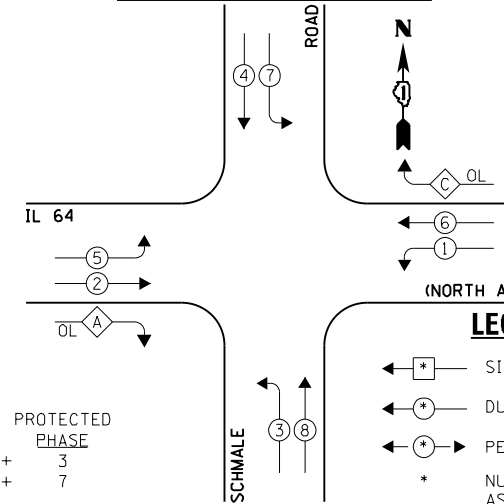
SCHEDULE OF QUANTITIES  
IL 64 (NORTH AV) AT SCHMALE ROAD

TS 6465

| NO. | QUANT. | UNIT | DESCRIPTION   |
|-----|--------|------|---|
| 1.  | 1      | EACH | MAINTENANCE OF EXISTING TRAFFIC SIGNAL INSTALLATION                           |
| 2.  | 1      | EACH | MODIFY EXISTING CONTROLLER CABINET  |
| 3.  | 1      | EACH | UNINTERRUPTABLE POWER SUPPLY, SPECIAL   |
| 4.  | 2      | EACH | SIGNAL HEAD, LED, 2-FACE, 1-3 SECTION, 1-5 SECTION, BRACKET MOUNTED, RETROFIT |
| 5.  | 14     | EACH | SIGNAL HEAD, LED, 1-FACE, 3-SECTION, MAST ARM MOUNTED, RETROFIT               |
| 6.  | 2      | EACH | SIGNAL HEAD, LED, 2-FACE, 3-SECTION, BRACKET MOUNTED, RETROFIT                |
| 7.  | 2      | EACH | SIGNAL HEAD, LED, 1-FACE, 5-SECTION, BRACKET MOUNTED, RETROFIT                |



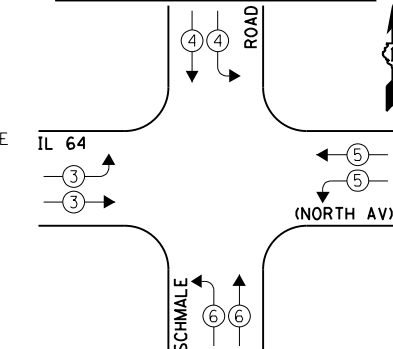
EXISTING CONTROLLER SEQUENCE



EXISTING PHASE DESIGNATION DIAGRAM

| OVERLAP LETTER | PERMISSIVE PHASE | PROTECTED PHASE |
|----------------|------------------|-----------------|
| A              | = 2              | + 3             |
| C              | = 6              | + 7             |

EXISTING EMERGENCY VEHICLE PREEMPTION SEQUENCE



| EXISTING EMERGENCY VEHICLE PREEMPTORS |   |   |   |   |
|---------------------------------------|---|---|---|---|
| EMERGENCY VEHICLE PREEMPTOR           | 3 | 4 | 5 | 6 |
| MOVEMENT                              | → | ↘ | ↗ | ← |

| I.D.O.T. TRAFFIC SIGNAL INSTALLATION ELECTRICAL SERVICE REQUIREMENTS |           |         |        |           | TOTAL WATTAGE |
|--|-----------|---------|--------|-----------|---------------|
| TYPE   | NO. LAMPS | INCAND. | L.E.D. | OPERATION |               |
| SIGNAL (RED)   | 24        | 135     | 17     | 0.50      | 204.0         |
| SIGNAL (YELLOW)  | 24        | 135     | 25     | 0.25      | 150.0         |
| SIGNAL (GREEN)   | 24        | 135     | 15     | 0.25      | 90.0          |
| ARROW  | 8         | 135     | 12     | 0.10      | 9.6           |
| PED. SIGNAL  | -         | 90      | 25     | 1.00      | -             |
| CONTROLLER   | 1         | -       | 100    | 1.00      | 100.0         |
| LUMINAIRE  | -         | -       | 250    | 0.50      | -             |
| L.E.D. ST. NAME SIGN   | -         | -       | 64     | 0.50      | -             |
| VIDEO SYSTEM   | -         | -       | 150    | 1.00      | -             |
| BATTERY BACKUP   | 1         | -       | 25     | 1.00      | 25.0          |
| ILLUMINATED SIGN   | -         | -       | 25     | 0.05      | -             |
| TOTAL =  |           |         |        |           | 578.6         |

ENERGY COSTS - BILLED TO: IL DEPT. OF TRANSPORTATION  
(ADDRESS) 201 W. CENTER COURT  
(ADDRESS) SCHALMBURG, IL 60196-1096  
ENERGY SUPPLY - CONTACT: JOE STACHO  
PHONE: (630) 424-5704  
COMPANY: CQM-ED

|                              |                        |                 |           |
|------------------------------|------------------------|-----------------|-----------|
| FILE NAME = 60V80-054-ts.dgn | USER NAME = zwallsten  | DESIGNED - JRD  | REVISED - |
| Default                      | PLOT SCALE = 1:20      | DRAWN - ZCW     | REVISED - |
|                              | PLOT DATE = 12/20/2012 | CHECKED - KLB   | REVISED - |
|                              |                        | DATE - 12-20-12 | REVISED - |

STATE OF ILLINOIS  
DEPARTMENT OF TRANSPORTATION

SCHEDULE OF QUANTITIES, CABLE PLAN, PHASE DESIGNATION DIAGRAM, & EMERGENCY VEHICLE PREEMPTION SEQUENCE  
IL 64 (NORTH AV) AT SCHMALE ROAD

SCALE: NONE SHEET OF SHEETS STA. TO STA.

|                           |                    |               |                    |              |
|---------------------------|--------------------|---------------|--------------------|--------------|
| F.A. RTÉ. VARIES          | SECTION 2012-070 I | COUNTY DuPAGE | TOTAL SHEETS 103   | SHEET NO. 54 |
| ILLINOIS FED. AID PROJECT |                    |               | CONTRACT NO. 60V80 |              |

GHA #4085.887