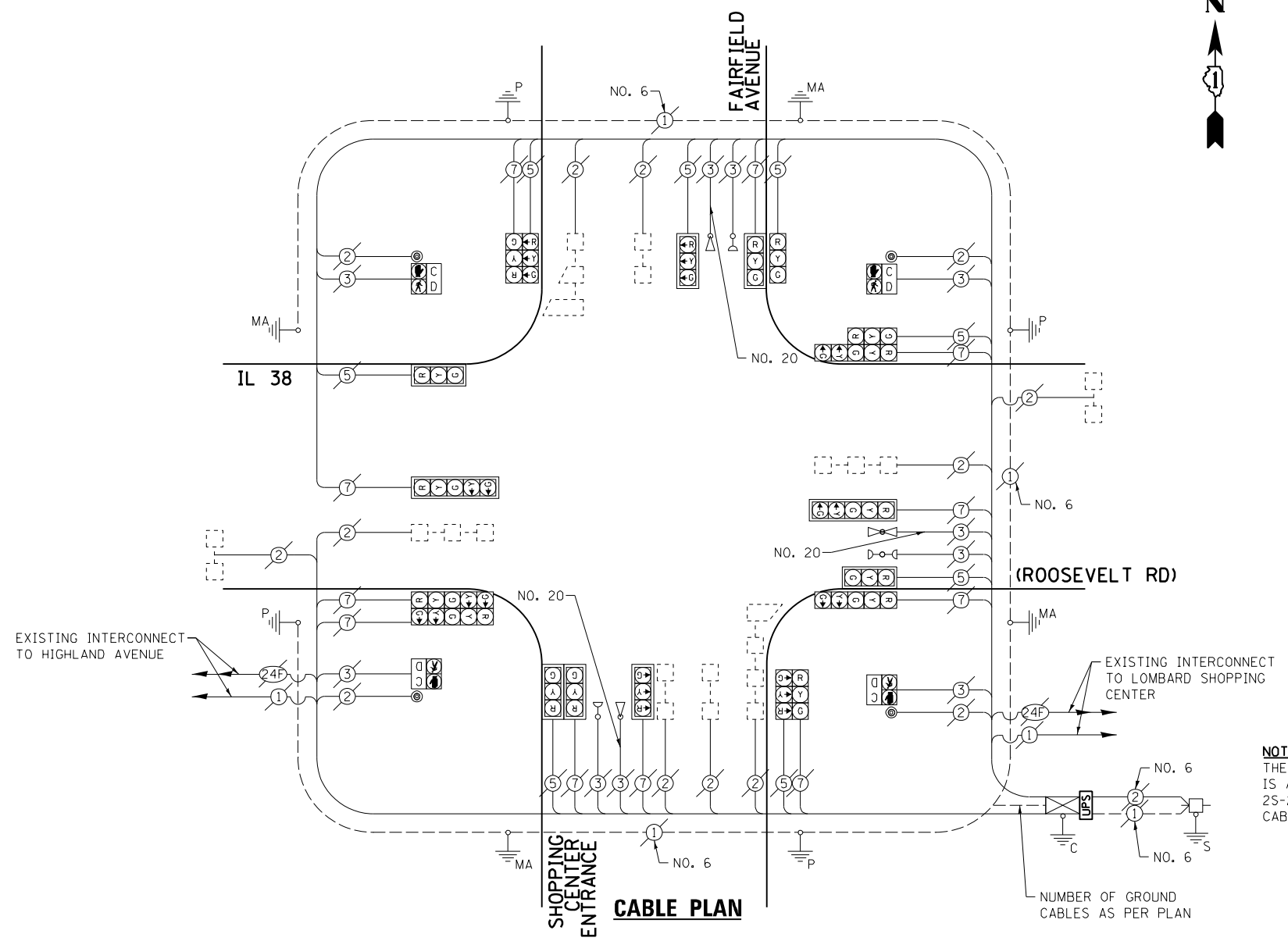


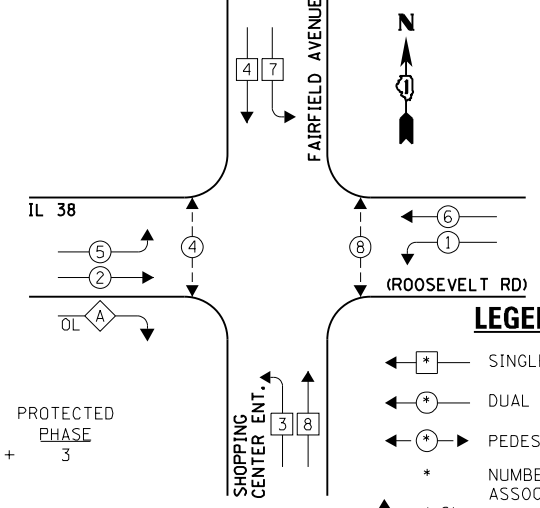
SCHEDULE OF QUANTITIES
IL 38 (ROOSEVELT RD) AT FAIRFIELD AVENUE

| NO. | QUANT. | UNIT | DESCRIPTION |
|-----|--------|------|---|
| 1. | 1 | EACH | MAINTENANCE OF EXISTING TRAFFIC SIGNAL INSTALLATION |
| 2. | 1 | EACH | MODIFY EXISTING CONTROLLER CABINET |
| 3. | 1 | EACH | UNINTERRUPTABLE POWER SUPPLY, SPECIAL |

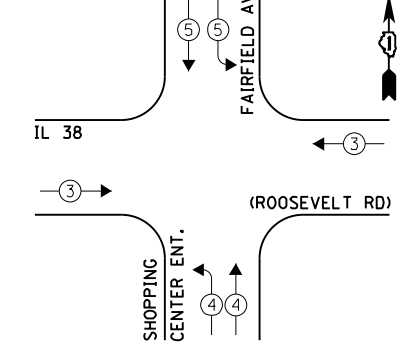


NOTE:
THE EXISTING CONTROLLER IS AN ECONOLITE ASC/2S-2100 IN A TYPE IV CABINET.

EXISTING CONTROLLER SEQUENCE



EXISTING EMERGENCY VEHICLE PREEMPTION SEQUENCE



EXISTING PHASE DESIGNATION DIAGRAM

OVERLAP LETTER A = PERMISSIVE PHASE 2 + PROTECTED PHASE 3

| I.D.O.T. TRAFFIC SIGNAL INSTALLATION ELECTRICAL SERVICE REQUIREMENTS | | | | TOTAL WATTAGE |
|--|-----------|---------------------------|-----------|---------------|
| TYPE | NO. LAMPS | WATTAGE INCAND. L.E.D. | OPERATION | |
| SIGNAL (RED) | 19 | 135 17 | 0.50 | 161.5 |
| SIGNAL (YELLOW) | 19 | 135 25 | 0.25 | 118.75 |
| SIGNAL (GREEN) | 19 | 135 15 | 0.25 | 71.25 |
| ARROW | 12 | 135 12 | 0.10 | 14.4 |
| PED. SIGNAL | 4 | 90 25 | 1.00 | 100.0 |
| CONTROLLER | 1 | - 100 | 1.00 | 100.0 |
| LUMINAIRE | - | - 250 | 0.50 | - |
| L.E.D. ST. NAME SIGN | - | - 64 | 0.50 | - |
| VIDEO SYSTEM | - | - 150 | 1.00 | - |
| BATTERY BACKUP | 1 | - 25 | 1.00 | 25.0 |
| ILLUMINATED SIGN | - | - 25 | 0.05 | - |
| TOTAL = | | | | 590.9 |

ENERGY COSTS - BILLED TO: VILLAGE OF LOMBARD
(ADDRESS) 255 E. WILSON AVENUE
(ADDRESS) LOMBARD, IL 60148-3969
ENERGY SUPPLY - CONTACT: JOE STACHO
PHONE: (630) 424-5704
COMPANY: CQM-ED

| EXISTING EMERGENCY VEHICLE PREEMPTORS | | |
|---------------------------------------|---|---|
| EMERGENCY VEHICLE PREEMPTOR | 3 | 4 |
| MOVEMENT | ↔ | ↕ |

| | | | |
|------------------------------|------------------------|-----------------|-----------|
| FILE NAME = 60V80-070-ts.dgn | USER NAME = zwallsten | DESIGNED - JRD | REVISED - |
| Default | PLOT SCALE = 1:20 | DRAWN - ZCW | REVISED - |
| | PLOT DATE = 12/20/2012 | CHECKED - KLB | REVISED - |
| | | DATE - 12-20-12 | REVISED - |

STATE OF ILLINOIS
DEPARTMENT OF TRANSPORTATION

SCHEDULE OF QUANTITIES, CABLE PLAN, PHASE DESIGNATION DIAGRAM, & EMERGENCY VEHICLE PREEMPTION SEQUENCE
IL 38 (ROOSEVELT RD) AT FAIRFIELD AVENUE
SCALE: NONE SHEET OF SHEETS STA. TO STA.

| | | | | |
|---------------------------|--------------------|---------------|--------------------|--------------|
| F.A. RTE. VARIES | SECTION 2012-070 I | COUNTY DuPAGE | TOTAL SHEETS 103 | SHEET NO. 70 |
| | | | CONTRACT NO. 60V80 | |
| ILLINOIS FED. AID PROJECT | | | | |

GHA #4085.887