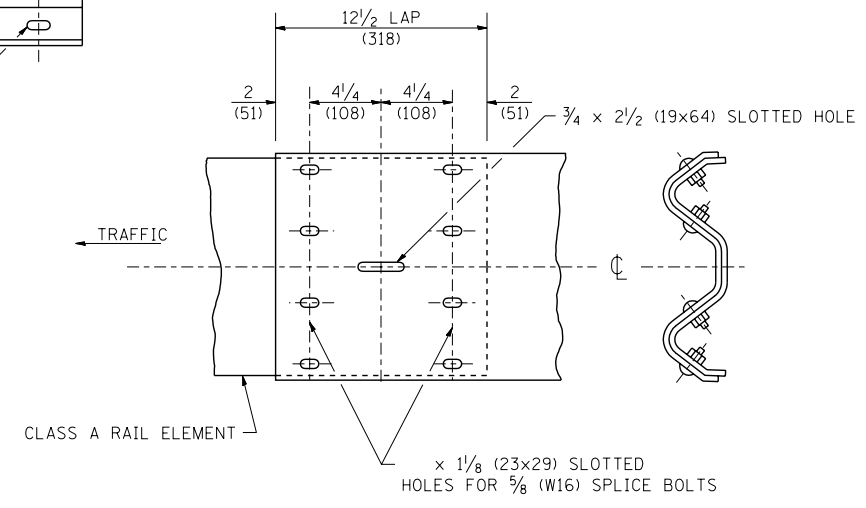
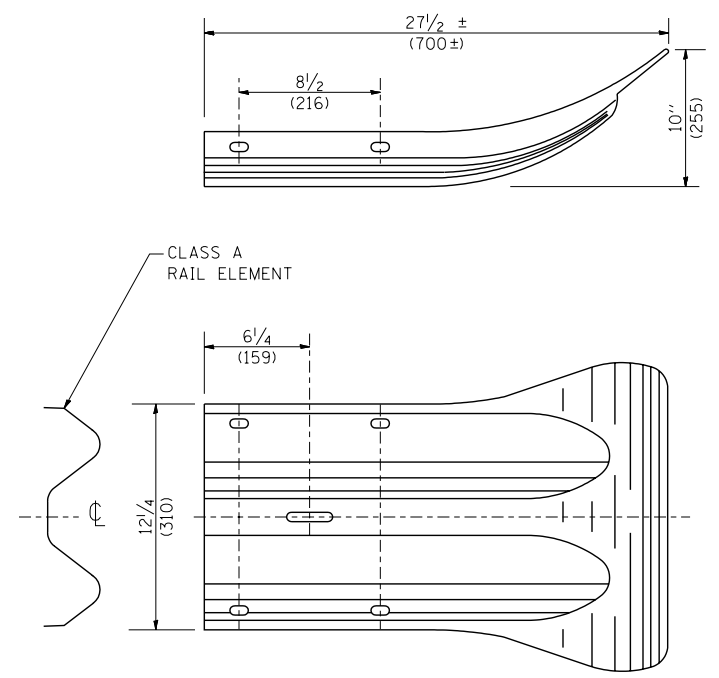


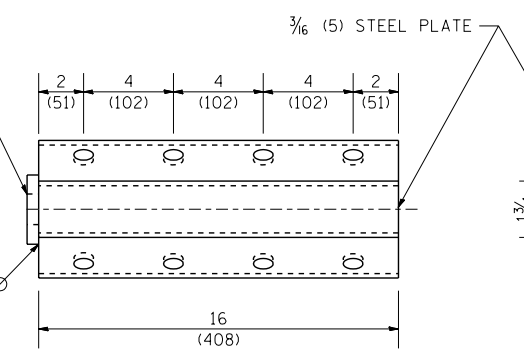
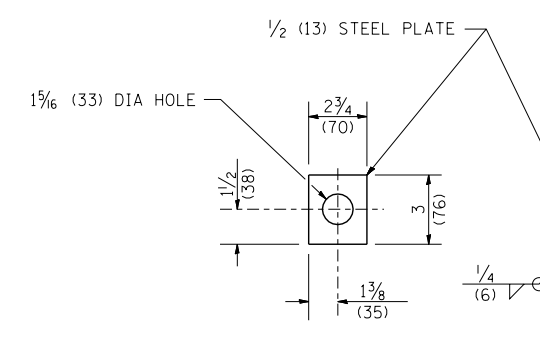
SPLICE PLATE



RAIL ELEMENT SPLICE



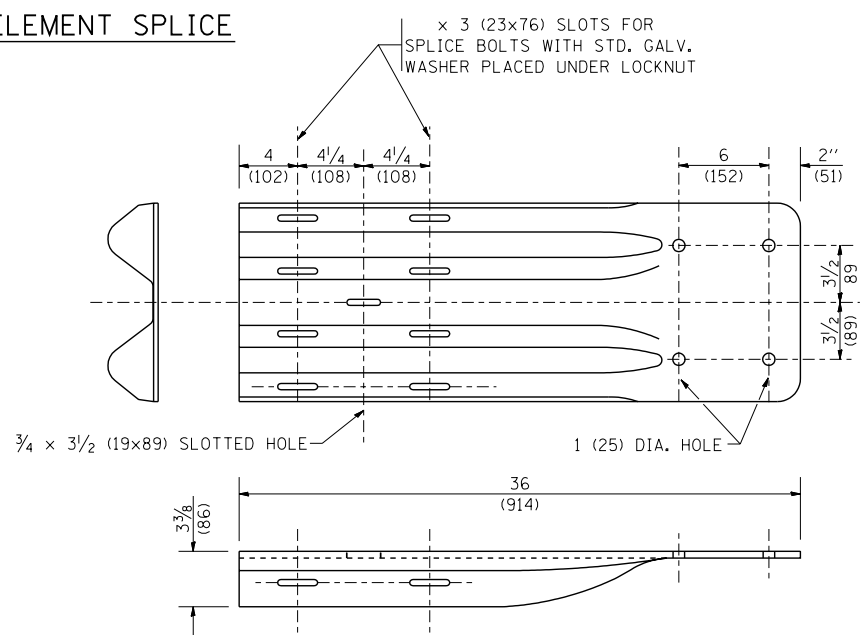
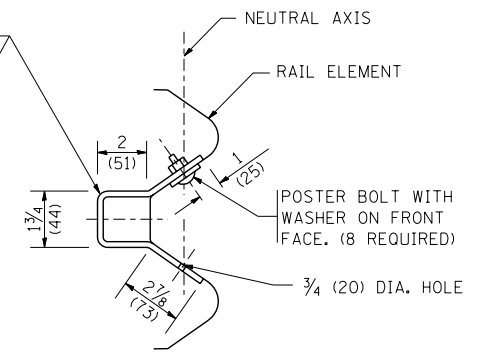
END SECTION



NOTE:

ANCHOR PLATE T SHALL BE USED TO ATTACH CABLE ASSEMBLY TO GUARDRAIL WHEN REQUIRED ON TRAFFIC BARRIER TERMINALS.

ANCHORE PLATE T DETAILS



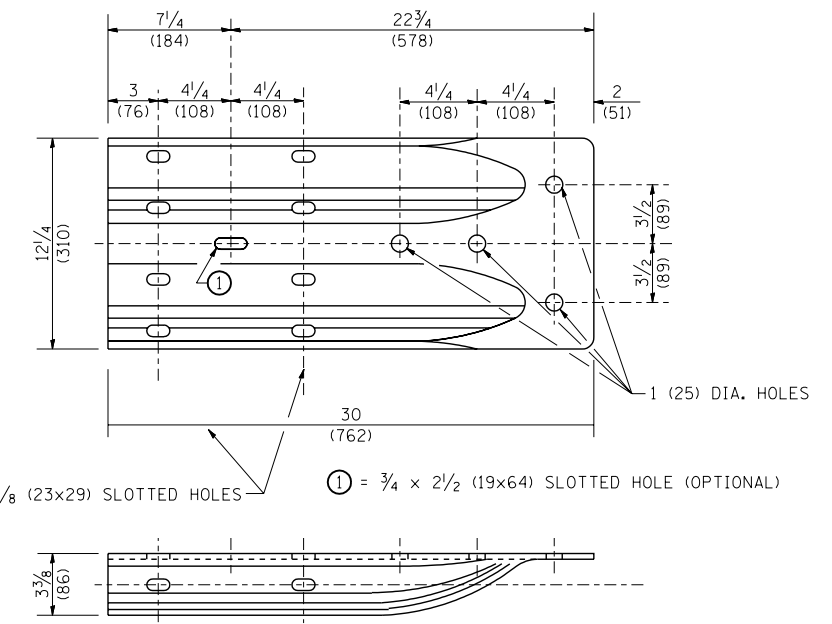
END SHOE

NOTE:

WHEN END SHOE IS ATTACHED TO A BRIDGE PARAPET WHICH HAS AN EXPANSION JOINT, THE BOLTS SHALL BE PROVIDED WITH A LOCKNUT OR DOUBLE NUT AND SHALL BE TIGHTENED ONLY TO A POINT THAT WILL ALLOW GUARDRAIL MOVEMENT.

THE STANDARD END SHOE SHALL BE ATTACHED TO THE CONCRETE WITH PRE-DRILLED OR SELF-DRILLING ANCHOR BOLTS. THE ANCHOR CONE SHALL BE SET FLUSH WITH THE SURFACE OF THE CONCRETE.

EXTERNALLY THREADED STUDS PROTRUDING FROM THE SURFACE OF THE CONCRETE WILL NOT BE PERMITTED.



ALTERNATE END SHOE

FILE NAME = W:\diststd\22x34\bm21.dgn	USER NAME = gaglionobt	DESIGNED -	REVISED - 10-31-06
		DRAWN -	REVISED -
	PLOT SCALE = 50.0000' / IN.	CHECKED -	REVISED -
	PLOT DATE = 1/4/2008	DATE -	REVISED -

**STATE OF ILLINOIS
DEPARTMENT OF TRANSPORTATION**

**REMOVE AND REERECT
STEEL PLATE BEAM GUARDRAIL**

SCALE: NONE SHEET NO. 3 OF 4 SHEETS STA. TO STA.

F.A. RTE. 305	SECTION 1920.01-B-R	COUNTY COOK	TOTAL SHEETS 60	SHEET NO. 51
BM-21		CONTRACT NO. 60W04		
FED. ROAD DIST. NO. 1 ILLINOIS FED. AID PROJECT				