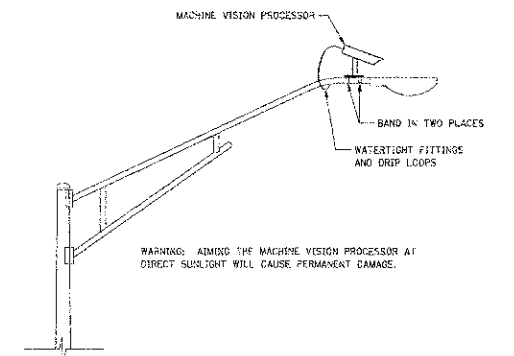
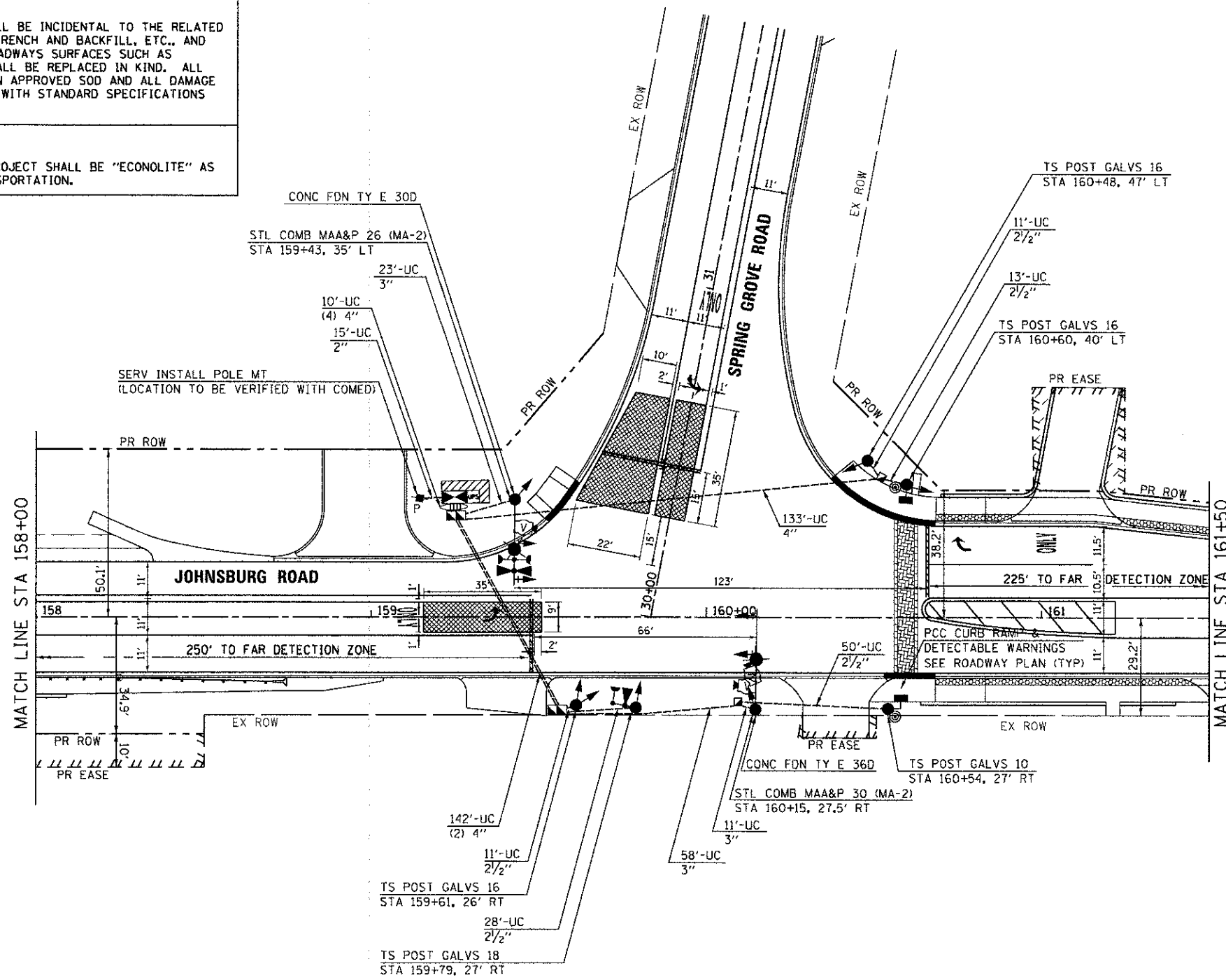


**RESTORATION OF WORK AREA**

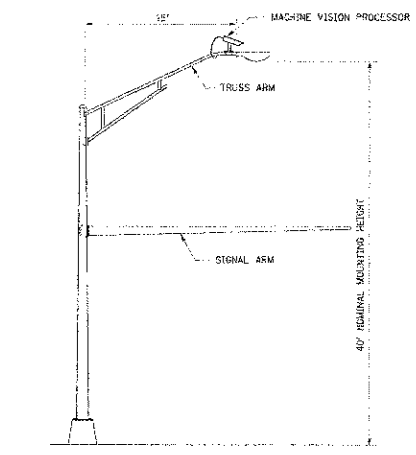
RESTORATION OF THE TRAFFIC SIGNAL WORK AREA SHALL BE INCIDENTAL TO THE RELATED PAY ITEM SUCH AS FOUNDATION, CONDUIT, HANDHOLE, TRENCH AND BACKFILL, ETC., AND NO EXTRA COMPENSATION SHALL BE ALLOWED. ALL ROADWAYS SURFACES SUCH AS SHOULDERS, MEDIANS, SIDEWALKS, PAVEMENT, ETC. SHALL BE REPLACED IN KIND. ALL DAMAGE TO MOWED LAWNS SHALL BE REPLACED WITH AN APPROVED SOD AND ALL DAMAGE TO UNMOWED LAWNS SHALL BE SEEDED IN ACCORDANCE WITH STANDARD SPECIFICATIONS 252 AND 250 RESPECTIVELY.

**NOTE**

THE TRAFFIC SIGNAL CONTROL EQUIPMENT FOR THIS PROJECT SHALL BE "ECONOLITE" AS REQUIRED BY THE MCHENRY COUNTY DIVISION OF TRANSPORTATION.

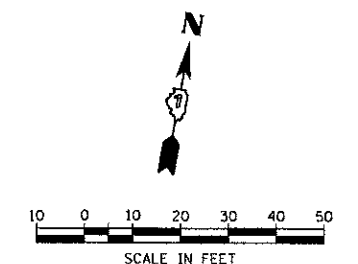


**MACHINE VISION PROCESSOR MOUNTING DETAIL**  
NOT TO SCALE



**COMBINATION MAST ARM ASSEMBLY AND POLE DIMENSIONS**  
NOT TO SCALE

1. STOP BARS ARE NOT TO BE PLACED PRIOR TO THE PROPOSED TRAFFIC SIGNALS BEING OPERATIONAL; THEY WILL BE INSTALLED AT THE TIME OF TRAFFIC SIGNAL TURN-ON.
2. THE VIDEO DETECTION EQUIPMENT FOR THIS PROJECT SHALL BE AUTOSCOPE OR AN APPROVED EQUAL AS REQUIRED BY THE MCHENRY COUNTY DIVISION OF TRANSPORTATION.
3. THE EMERGENCY VEHICLE PREEMPTION EQUIPMENT FOR THIS PROJECT SHALL BE OPTICON OR AN APPROVED EQUAL AS REQUIRED BY THE MCHENRY TOWNSHIP FIRE DEPARTMENT.
4. PROVIDE 2-2" CONDUIT STUBS IN EACH FOUNDATION FOR MAST ARM ASSEMBLY AND POLE WITH LUMINAIRE.
5. THE GROUND ROD FOR TYPE "C" & TYPE "D" NEEDS TO BE PLACED WITH GREAT CARE TO AVOID SURROUNDING ELEMENTS.



COMPANY NAME: HRGreen  
 PROJECT CONTACT: J. Jettone  
 CLIENT: MCHENRY COUNTY DIVISION OF TRANSPORTATION  
 DATE PLOTTED: 12/19/2012 2:55:39 PM  
 FILE NAME: 000022-sig@2b-spr01.dgn  
 PLOT DRIVER: Standard-Trans.tbl  
 PEN TABLE:



USER NAME = jettone	DESIGNED -	REVISED -
FILE NAME = 000022-sig@2b-spr01.dgn	DRAWN -	REVISED -
PLOT SCALE = 1"=20'	CHECKED -	REVISED -
PLOT DATE = 12/19/2012	DATE = 12/19/12	REVISED -

**MCHENRY COUNTY DIVISION OF TRANSPORTATION**

**TRAFFIC SIGNAL INSTALLATION PLAN  
JOHNSBURG ROAD AT SPRING GROVE ROAD**

SCALE: 1"=20' SHEET NO. 1 OF 4 SHEETS STA. TO STA.

F.A.U. RTE.	SECTION	COUNTY	TOTAL SHEETS	SHEET NO.
168	05-00314-00-WR	MCHENRY	187	99
FED. ROAD DIST. NO. ILLINOIS FED. AID PROJECT			CONTRACT NO. 63515	