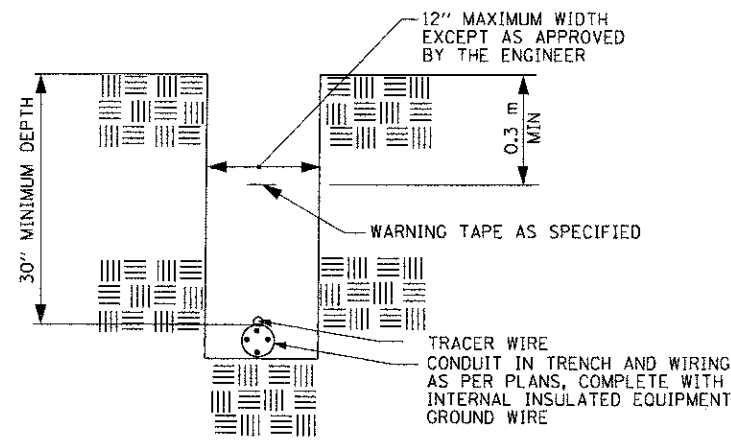
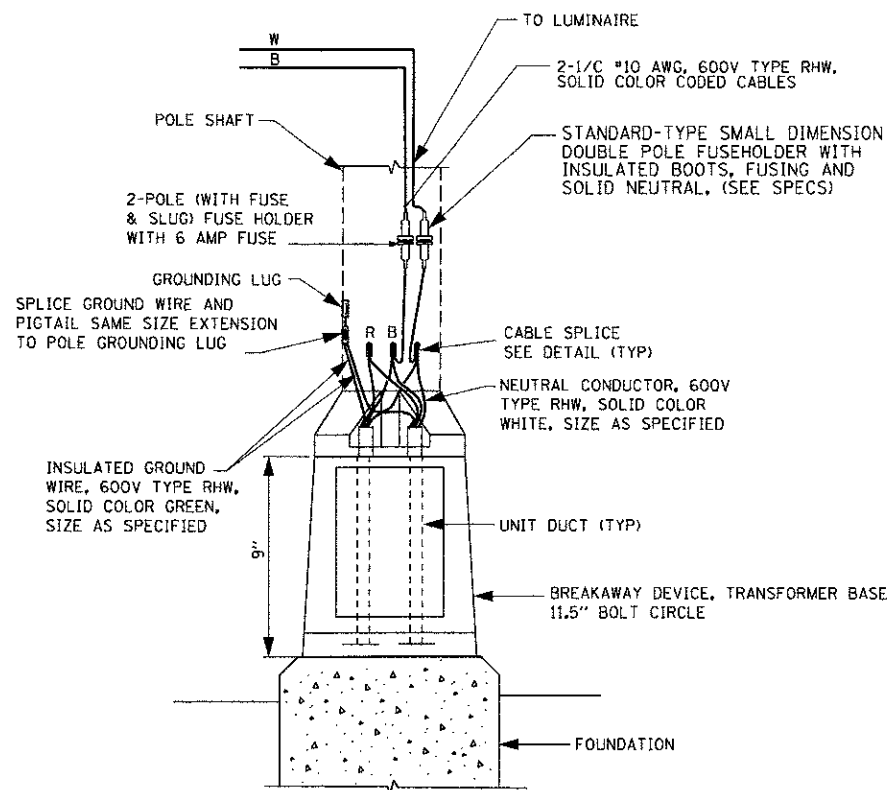


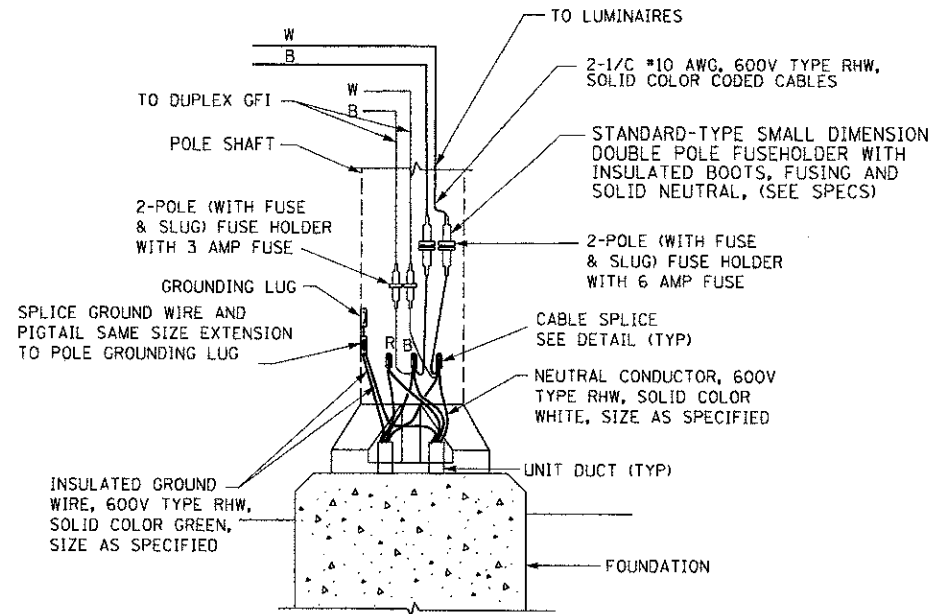
SPLICING DETAIL
N.T.S.



TYPICAL CONDUIT IN TRENCH DETAIL
N.T.S.



POLE BASE WIRING DIAGRAM
SINGLE MAST ARM
N.T.S.



DECORATIVE POLE BASE WIRING DIAGRAM
N.T.S.

TRACER CABLE #14 IC SHALL BE INCLUDED IN THE UNIT DUCT AT NO ADDITIONAL COST. TRACER CABLE SHALL BE SPLICED IN POLES (WITH WIRE NUT) AND GROUNDED AT ENDS. TRACER WIRE SHALL BE CONNECTED TO POLE GROUND ONLY IN POLES AT END OF RUNS. IN REMAINING POLES, TRACER WIRE SHALL BE SPLICED AT UPPER HANDHOLE AND ROUTED THROUGH AND INTO LIGHTING CABINET UNGROUNDED.

COMPANY NAME: HRGreen
PROJECT CONTACT: HRGreen.com
DATE PLOTTED: 12/19/2012 3:16:54 PM
FILE NAME: RLP-07.dgn
PLOT BY: JETTANA
PLOT DATE: 12/19/2012



USER NAME: jettana	DESIGNED: -	REVISED: -
FILE NAME: RLP-07.dgn	DRAWN: -	REVISED: -
PLOT SCALE: -	CHECKED: -	REVISED: -
PLOT DATE: 12/19/2012	DATE: 12/19/12	REVISED: -

MCHENRY COUNTY
DIVISION OF TRANSPORTATION

LIGHTING PLAN
MISCELLANEOUS ELECTRICAL DETAILS

SCALE: SHEET NO. 6 OF 13 SHEETS STA. TO STA.

F.A.U. RTE.	SECTION	COUNTY	TOTAL SHEETS	SHEET NO.
168	05-00314-00-WR	MCHENRY	187	114
CONTRACT NO. 63515				

FED. ROAD DIST. NO. (ILLINOIS) FED. AID PROJECT

RLP-07