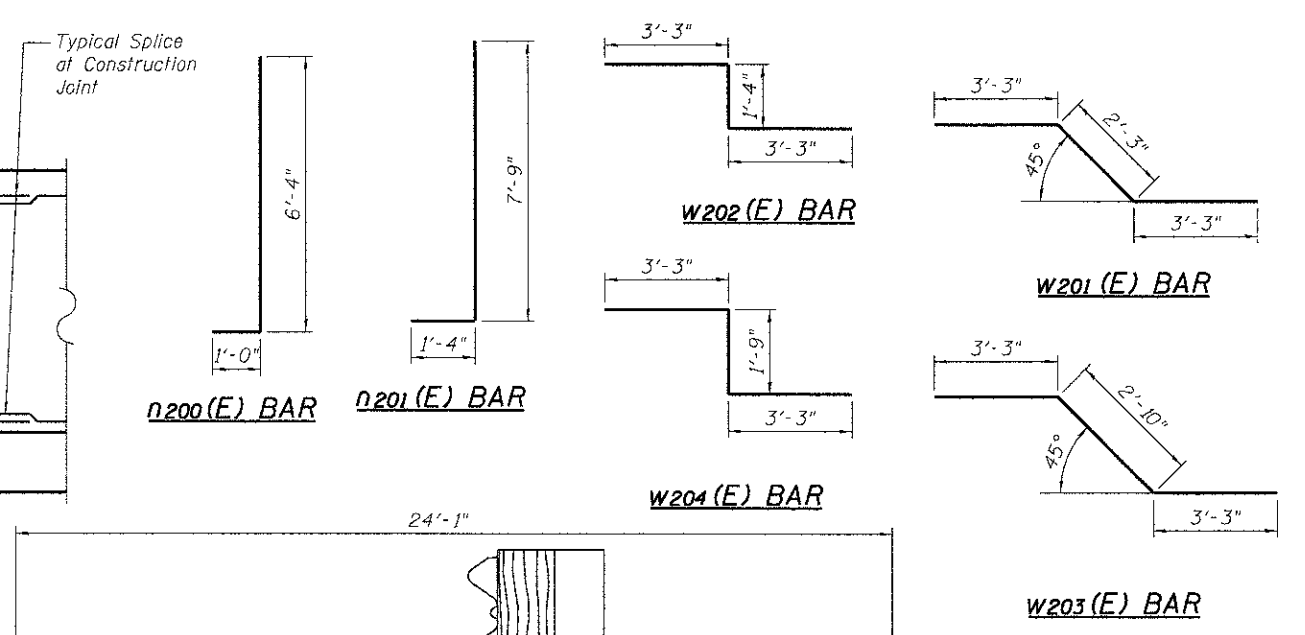
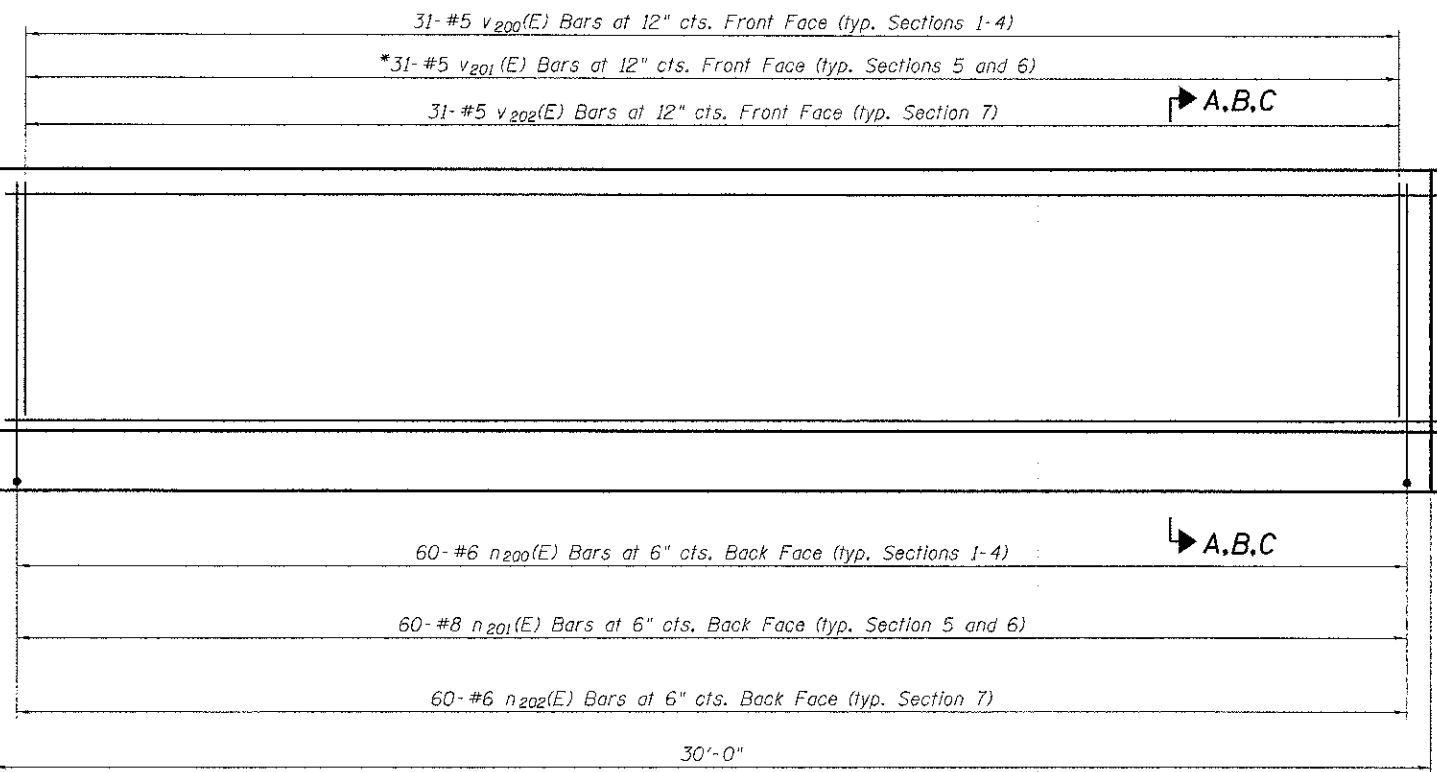


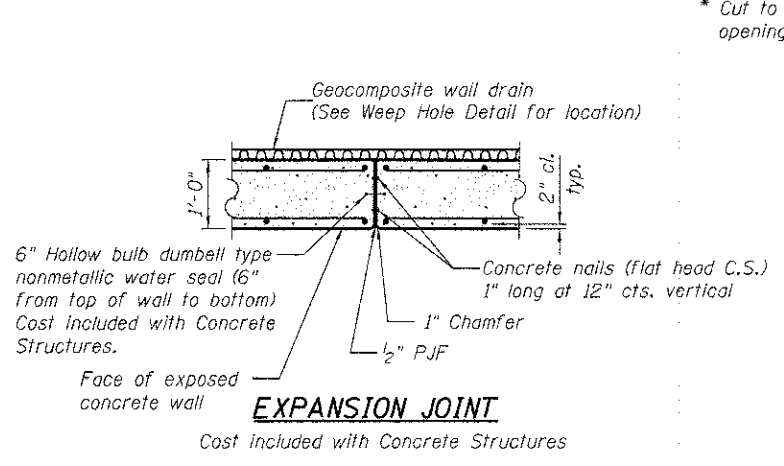
6- #5 h200(E) Bars at 12" cts. Each Face (typ. Sections 1,4 and 7)  
 6- #5 h201(E) Bars at 12" cts. Each Face (typ. Sections 2 and 5)  
 7- #5 h200(E) Bars at 12" cts. Each Face (typ. Section 5)  
 \*7- #5 h201(E) Bars at 12" cts. Each Face (typ. Section 6)



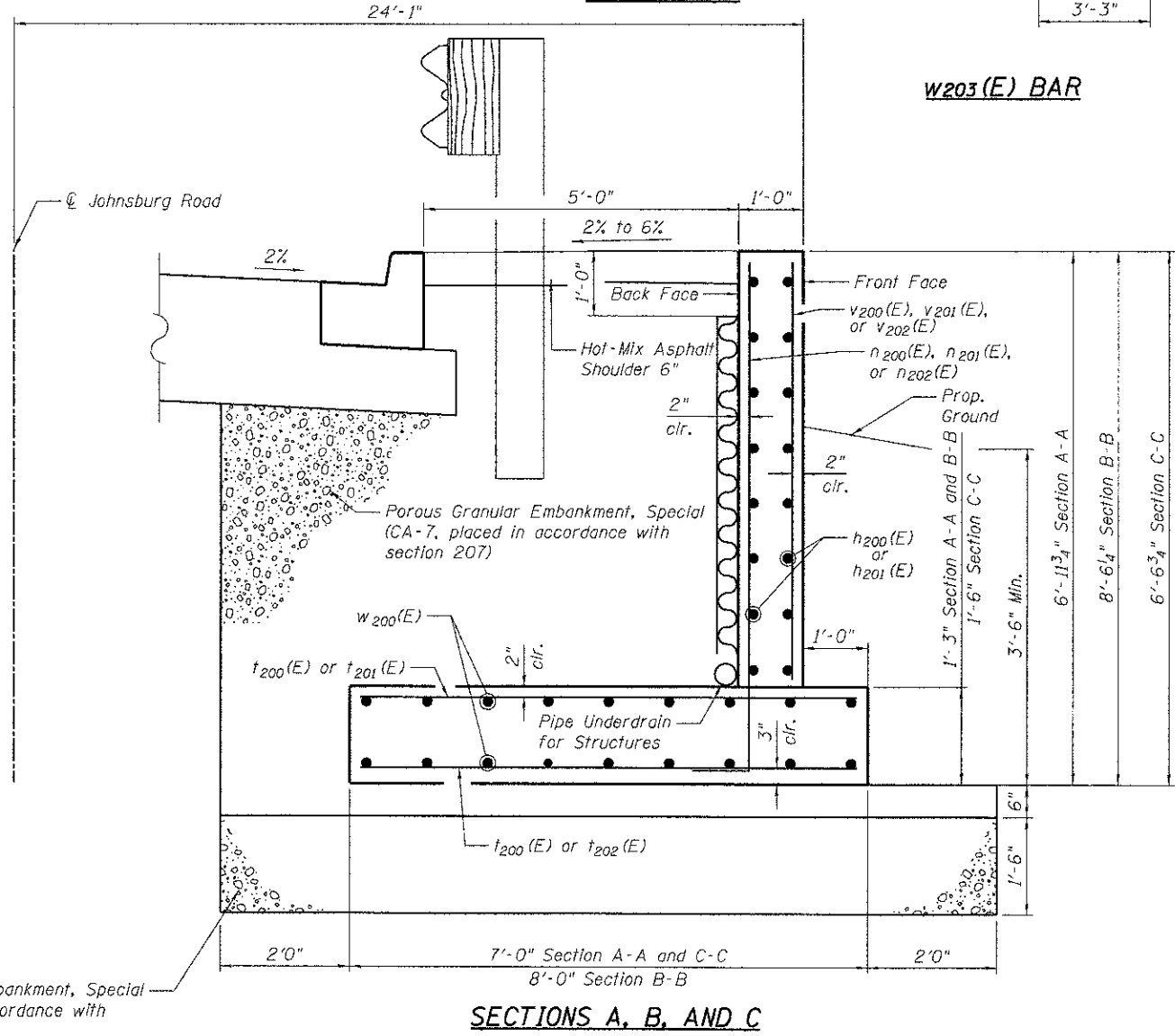
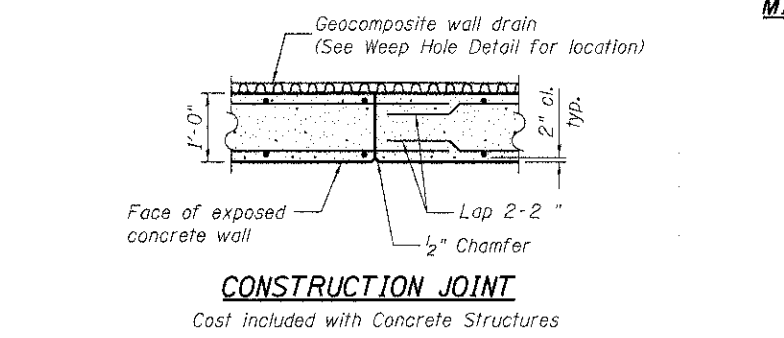
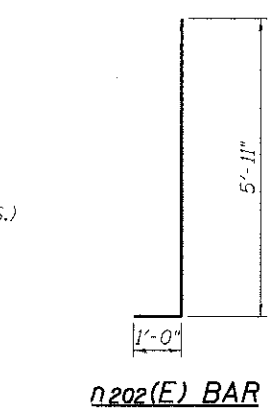
**BILL OF MATERIALS**

| Bar                                 | No. | Size    | Length | Shape |
|-------------------------------------|-----|---------|--------|-------|
| h200(E)                             | 50  | # 5     | 29'-8" | —     |
| h201(E)                             | 38  | # 5     | 32'-0" | —     |
| n200(E)                             | 240 | # 6     | 7'-4"  | —     |
| n201(E)                             | 120 | # 8     | 9'-1"  | —     |
| n202(E)                             | 60  | # 6     | 6'-11" | —     |
| t200(E)                             | 304 | # 5     | 6'-8"  | —     |
| t201(E)                             | 61  | # 5     | 7'-8"  | —     |
| t202(E)                             | 121 | # 6     | 7'-8"  | —     |
| v200(E)                             | 124 | # 5     | 5'-4"  | —     |
| v201(E)                             | 62  | # 5     | 6'-10" | —     |
| v202(E)                             | 31  | # 5     | 4'-11" | —     |
| w200(E)                             | 100 | # 5     | 33'-1" | —     |
| w201(E)                             | 8   | # 5     | 8'-5"  | —     |
| w202(E)                             | 8   | # 5     | 7'-6"  | —     |
| w203(E)                             | 8   | # 5     | 9'-0"  | —     |
| w204(E)                             | 8   | # 5     | 7'-11" | —     |
| w205(E)                             | 16  | # 5     | 29'-8" | —     |
| Reinforcement Bars Epoxy Coated     |     | Pound   | 18,500 |       |
| Concrete Structures                 |     | Cu.Yd.  | 133    |       |
| Structure Excavation                |     | Cu.Yd.  | 515    |       |
| Porous Granular Embankment, Special |     | Cu.Yd.  | 415    |       |
| Geocomposite Wall Drain             |     | Sq. Yd. | 114    |       |
| Pipe Underdrain for Structures,     |     | Foot    | 250    |       |

**TYPICAL WALL SECTION**



\* Cut to fit for storm sewer opening in Section 6



**RETAINING WALL DETAILS**  
 JOHNSBURG ROAD (FAU ROUTE 0168)  
 SECTION NO. 05-00314-00-WR  
 McHENRY COUNTY  
 STATION 155+99.19 TO STATION 158+09.19

COMPANY NAME: HRGreen.com  
 PROJECT CONTACT: HRGreen.com  
 DATE PLOTTED: 12/19/2012 3:05:51 PM  
 FILE NAME: 080622-7-81-028.dwg  
 PLOT DRIVER: pdfLwr.no.beveljtrc6g  
 PLOT SCALE: standard-trans.tbl



|                        |                    |           |
|------------------------|--------------------|-----------|
| USER NAME = jstana     | DESIGNED - JPG     | REVISED - |
| PLOT SCALE =           | CHECKED - RGD      | REVISED - |
| PLOT DATE = 12/19/2012 | DRAWN - WJH        | REVISED - |
|                        | CHECKED - 12/19/12 | REVISED - |

**MCHENRY COUNTY**  
**DIVISION OF TRANSPORTATION**

SHEET NO. SB-03 OF SB-04 SHEETS

| F.A. RTE.          | SECTION        | COUNTY  | TOTAL SHEETS                           | SHEET NO. |
|--------------------|----------------|---------|--|-----------|
| 0168               | 05-00314-00-WR | McHENRY | 187                                    | 128       |
| CONTRACT NO. 63515 |                |         | ILLINOIS FED. AID PROJECT SFEDPROJNO\$ |           |