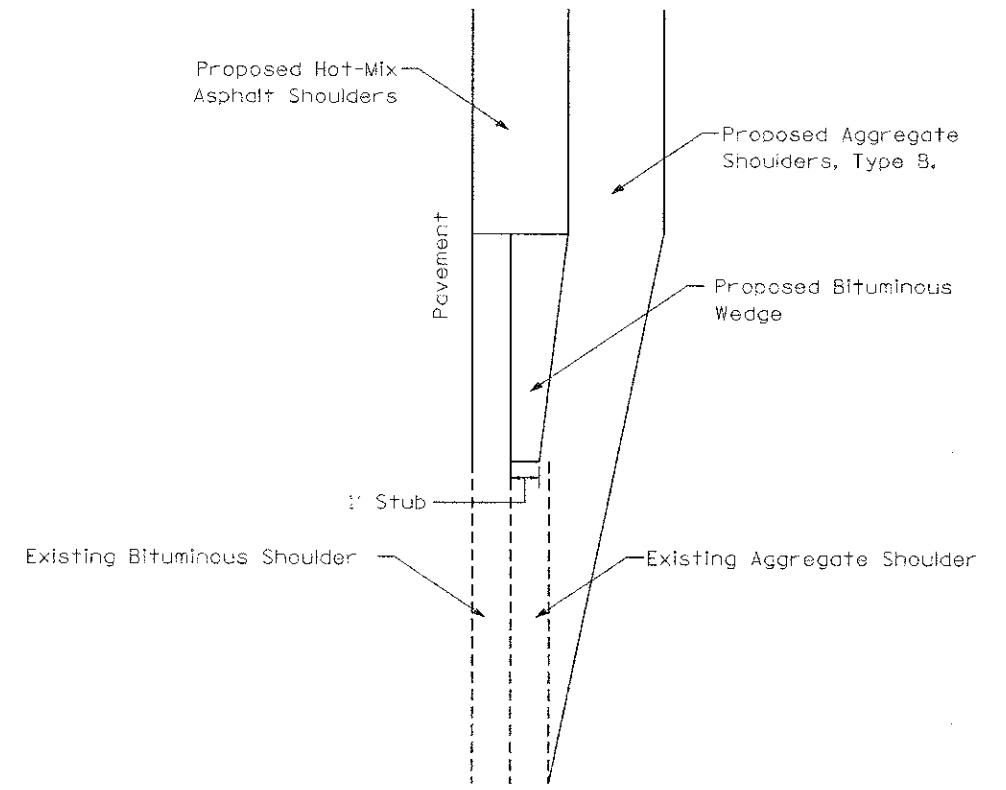
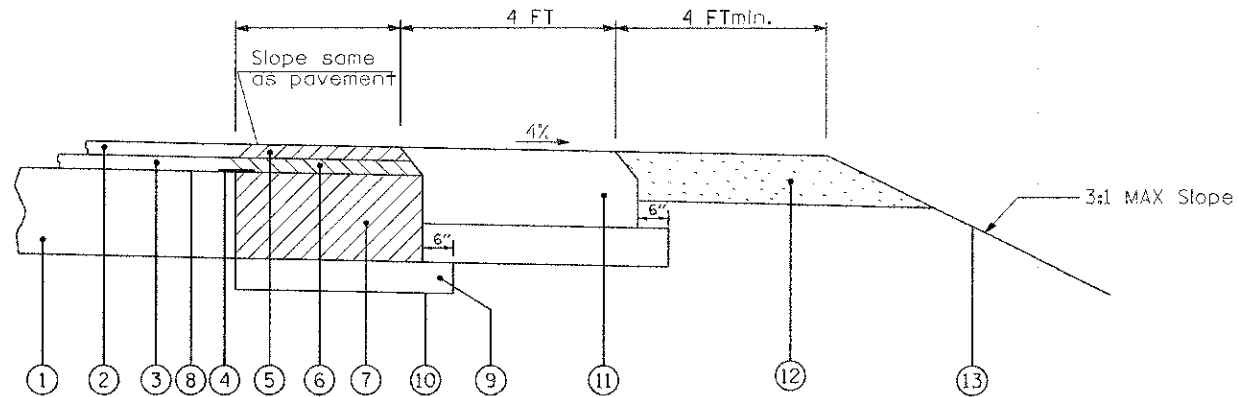


SHOULDER FOR TANGENT PAVEMENT W/ WEDGE

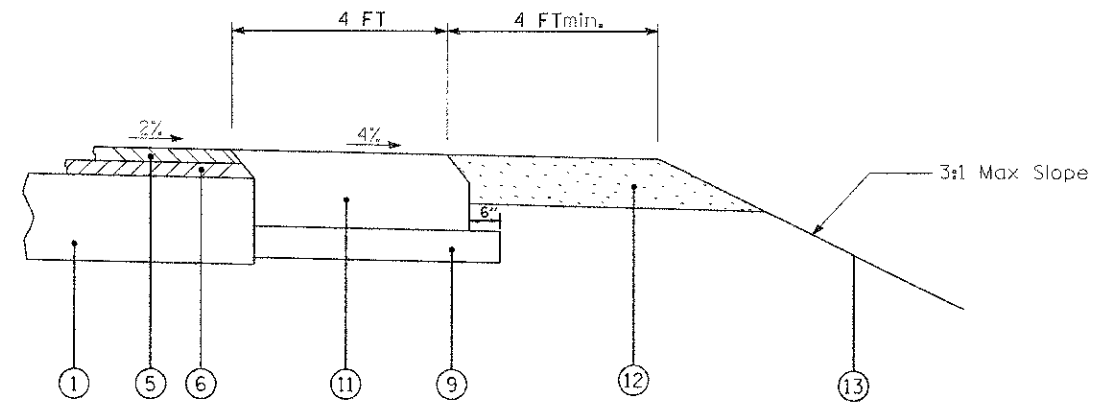


**SHOULDER TAPER DETAIL
PLAN VIEW**

NOTE:
TAPER THE HOT-MIX ASPHALT SHOULDERS DOWN TO THE EXISTING AGGREGATE SHOULDER WITH 1' STUB.
(TAPER RATE SHALL BE 1:5SPEED)



**HMA AND AGGREGATE
SHOULDERS WITH WIDENING & RESURFACING**



**HMA AND AGGREGATE SHOULDERS
WITH RESURFACING**

LEGEND

- ① EXISTING PAVEMENT
- ② EXISTING HMA SURFACE COURSE
- ③ EXISTING HMA BINDER COURSE
- ④ SAWCUT EXISTING PAVEMENT & INSTALL 24" WIDE STRIP REFLECTIVE CRACK CONTROL TREATMENT, TYPE A
- ⑤ PROPOSED HMA SURFACE COURSE, MIX "D", N70, 2"
- ⑥ PROPOSED HMA BINDER COURSE, IL-19, N70, 2 1/4"
- ⑦ PROPOSED HMA BASE COURSE, 9"
- ⑧ PRIME COAT
- ⑨ PROPOSED SUB-BASE GRANULAR MATERIAL, TYPE B, 6"
- ⑩ PROPOSED AGGREGATE SUBGRADE
- ⑪ PROPOSED HMA SHOULDERS, 8"
- ⑫ PROPOSED AGGREGATE SHOULDERS, TYPE B, 6"
- ⑬ PROPOSED TOPSOIL, SEEDING, CL 2A & EROSION CONTROL BLANKET

12/16/2012 2:17:40 PM
C:\Users\jld\Documents\63515-00-01\63515-00-01.dwg
PLOT BY: jld
PEN TABLE:

COMPANY NAME:
PROJECT CONTACT:
CLIENT:
DATE PLOTTED:
PLOT DRIVER:
PEN TABLE:

FILE NAME *	USER NAME = cxlee	DESIGNED -	REVISED - 11-5-2010
Y:\Design\Standards & Details\MCDOT\Shoulder-Details.dwg		DRAWN -	REVISED -
	PLOT SCALE = 58.0000' / 1"	CHECKED -	REVISED -
	PLOT DATE = 12/10/2012	DATE -	REVISED -

**McHENRY COUNTY
DIVISION OF TRANSPORTATION**

SHOULDER DETAIL

SCALE: NTS SHEET NO. OF SHEETS STA. TO STA.

F.A.U. RTE.	SECTION	COUNTY	TOTAL SHEETS	SHEET NO.
168	05-00314-00-WR	McHENRY	187	147
FED. ROAD DIST. NO. ILLINOIS FED. AID PROJECT			CONTRACT NO. 63515	