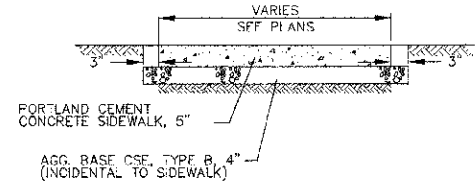


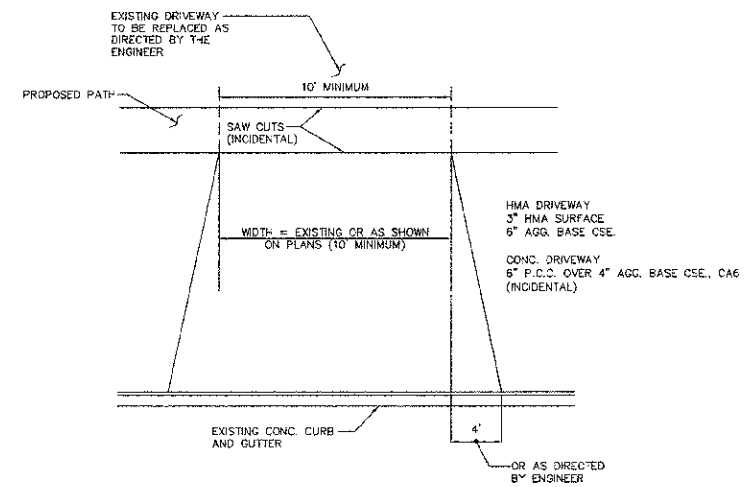
DATE	
BY	
REVIEWED	
DESIGNED	
CHECKED	
PLANNED	
NO. 1	
NO. 2	
NO. 3	
NO. 4	
NO. 5	
NO. 6	
NO. 7	
NO. 8	
NO. 9	
NO. 10	

DATE	
BY	
REVIEWED	
DESIGNED	
CHECKED	
PLANNED	
NO. 1	
NO. 2	
NO. 3	
NO. 4	
NO. 5	
NO. 6	
NO. 7	
NO. 8	
NO. 9	
NO. 10	

ENGINEERING RESOURCE ASSOC., INC.
CONSULTING ENGINEERS, ARCHITECTS & SURVEYORS
5501 WEST AVENUE, SUITE 250
WARRENVILLE, ILLINOIS 60555
PHONE (630) 393-3669 FAX (630) 393-2152

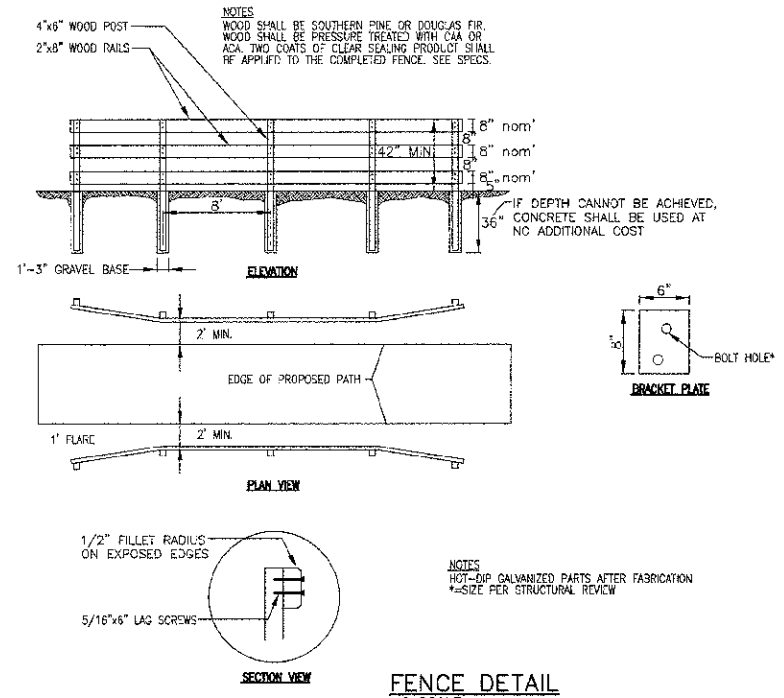


P.C.C. SIDEWALK DETAIL
NO SCALE

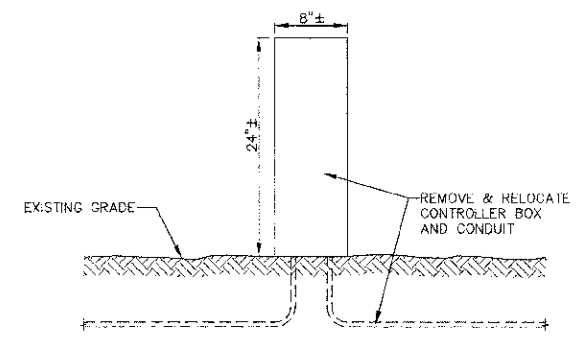


PROPOSED DRIVEWAY TREATMENT
NO SCALE

WOOD RAIL FENCE



FENCE DETAIL
NO SCALE



RELOCATE EXISTING CONTROLLER BOX
NO SCALE

FILE NAME = H:\West Chicago\100810.00 Bike Trail Connector\CADD\Final Design\100810 Final Detail.dwg	USER NAME = rtanner	DESIGNED - BD	REVISED - 01-14-2013
PLOT SCALE =	CHECKED - JFM	DRAWN - DB	REVISED -
PLOT DATE = 1/14/2013	DATE - JANUARY, 2010	CHECKED - JFM	REVISED -
		DATE - JANUARY, 2010	REVISED -

STATE OF ILLINOIS
DEPARTMENT OF TRANSPORTATION

SCALE: NONE		SHEET NO. 1 OF 1 SHEETS	
DETAILS			

F.A. RTE.	SECTION	COUNTY	TOTAL SHEETS	SHEET NO.
	00-00064-00-BT	DUPAGE	31	19
CONTRACT NO. 63730			FED. ROAD DIST. NO. 1 ILLINOIS FED. AID PROJECT	