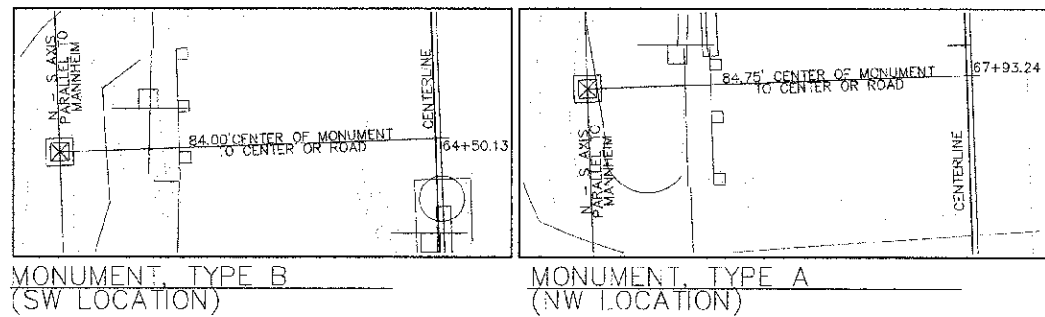
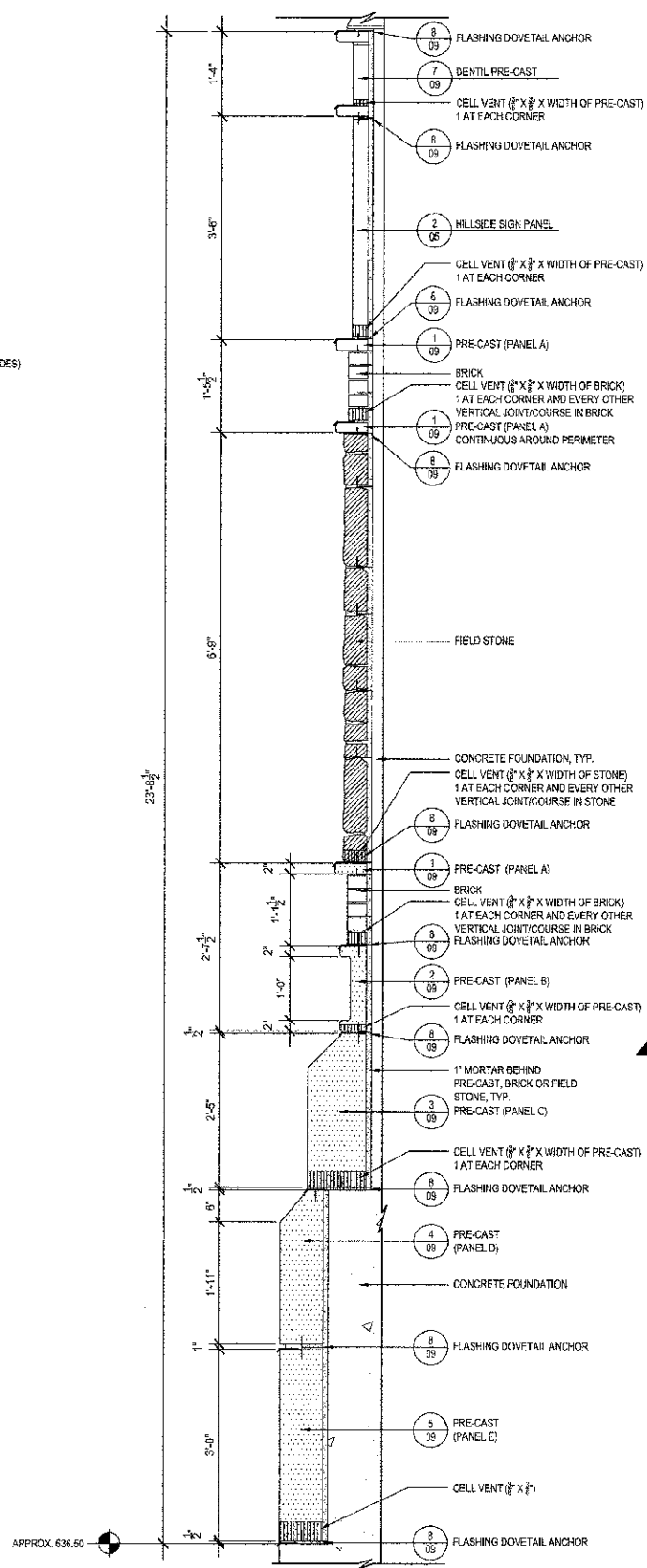


NOTE: SEE SHEETS 6, 7 AND 8 OF 11 FOR STRUCTURAL DETAILS

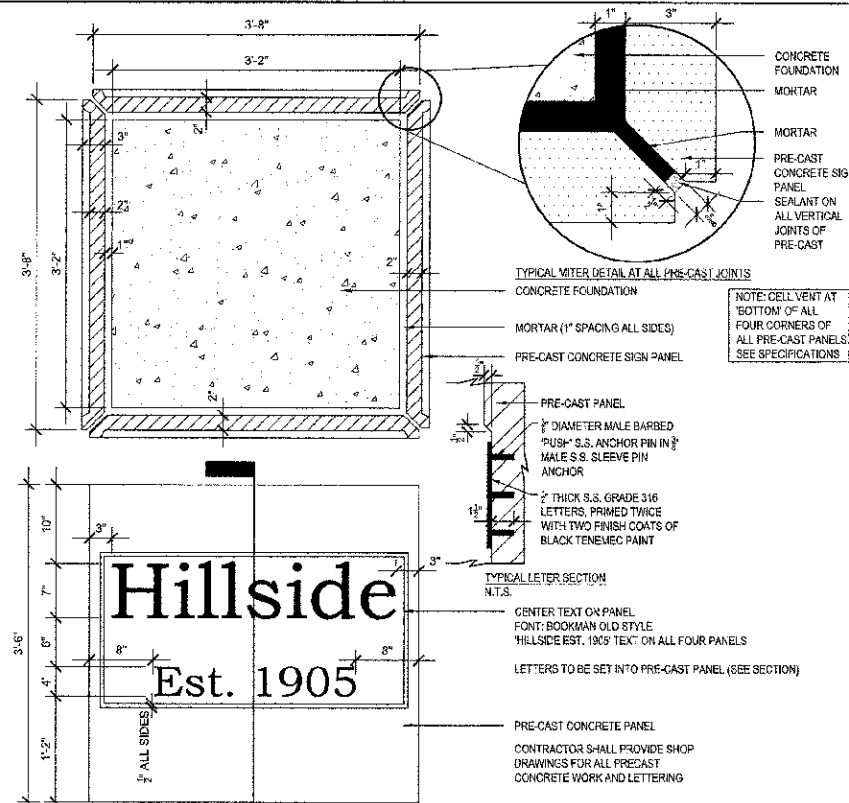
1 MONUMENT TYPE A & B (ELEVATION AND SECTION)  
SCALE: 3/8" = 1'-0"



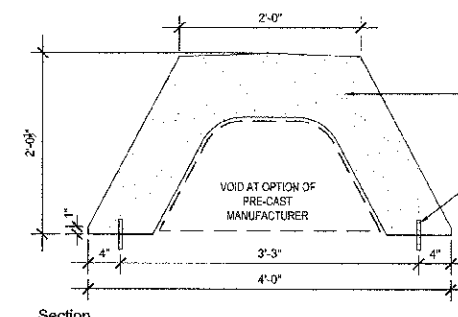
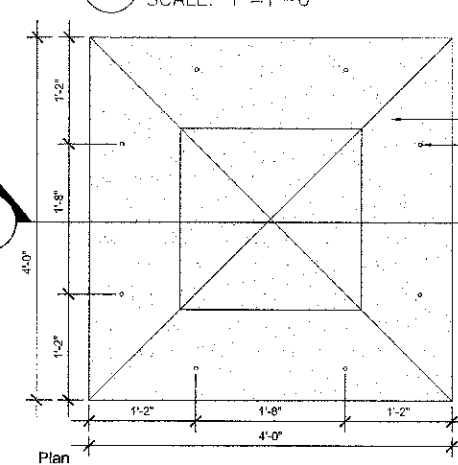
3 MONUMENT PLAN VIEW  
SCALE: 1" = 20'-0"



4 PRE-CAST ENLARGEMENT  
SCALE: 3/4" = 1'-0"



2 HILLSIDE SIGN PANEL  
SCALE: 1" = 1'-0"



5 MONUMENT CAP  
SCALE: 1" = 1'-0"

NOTE: SUBMIT SHOP DRAWINGS FOR ALL MASONRY AND MASONRY COMPONENTS INDICATING MATERIAL, MATERIAL SIZE, FASTENERS (FASTENING METHODS, REINFORCEMENT, MORTAR AND SEALANT) INCLUDING PRECAST STONE.  
NO LIFTING ANCHORS SHALL BE PERMITTED - ALL PRE-CAST SHALL BE SET & HANDLED USING NYLON STRAPS.  
ALL MASONRY AND MATERIALS USED IN SETTING AND FASTENING SHALL BE REQUIRED TO HAVE A STATE OF ILLINOIS STRUCTURAL ENGINEER'S SEAL CERTIFYING STRUCTURAL INTEGRITY.

FILE NAME: 081121  
LAYOUT  
DRAWN  
REVIEWED

USER NAME =	DESIGNED -- RMMW	REVISED --
PILOT SCALE =	DRAWN -- MW	REVISED --
PLOT DATE = 12/17/2012	CHECKED -- RM	REVISED --
	DATE -- 12/17/2012	REVISED --

STATE OF ILLINOIS  
DEPARTMENT OF TRANSPORTATION

VILLAGE OF HILLSIDE  
MANNHEIM ROAD STREETSCAPE  
PROPOSED MONUMENT PLAN  
SCALE: AS SHOWN SHEET NO. 05 OF 12 SHEETS STA. 64+00.00 TO STA. 68+50.00

F.A.P. RTE. 330	SECTION 08-00045-00-LS	COUNTY COOK	TOTAL SHEETS 12	SHEET NO. 05
CONTRACT NO. 63793				ILLINOIS