

**DESIGN SPECIFICATIONS**

2010 AASHTO LRFD Bridge Design Specifications

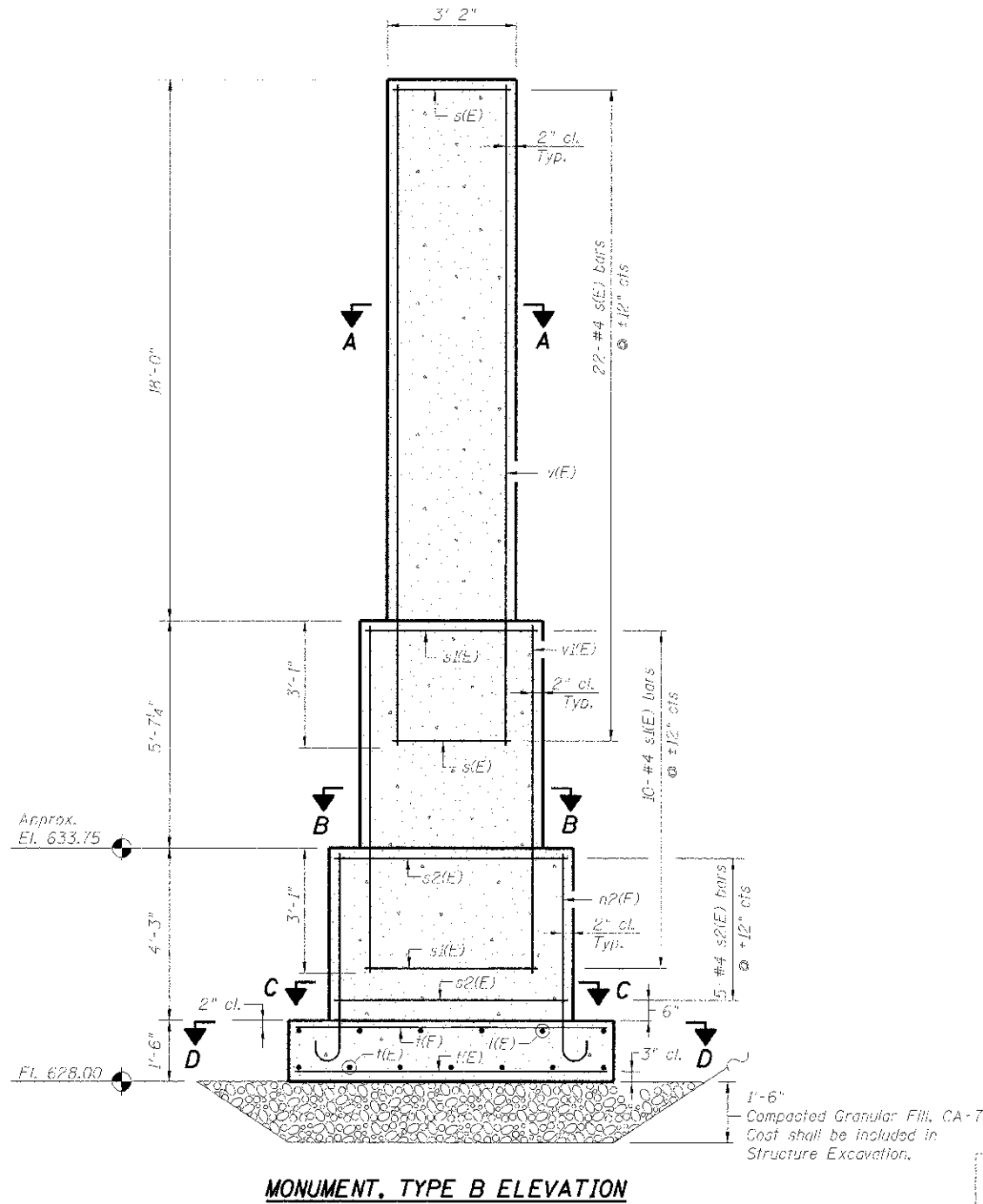
**DESIGN STRESSES**

**FIELD UNITS**

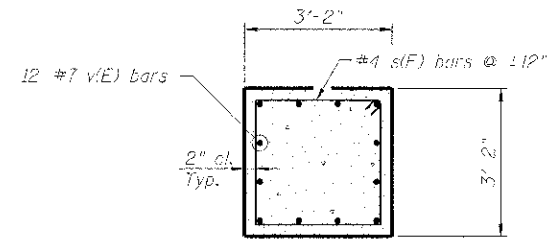
$f'_c = 3,500$  psi  
 $f_y = 60,000$  psi (Reinforcement)

**GENERAL NOTES**

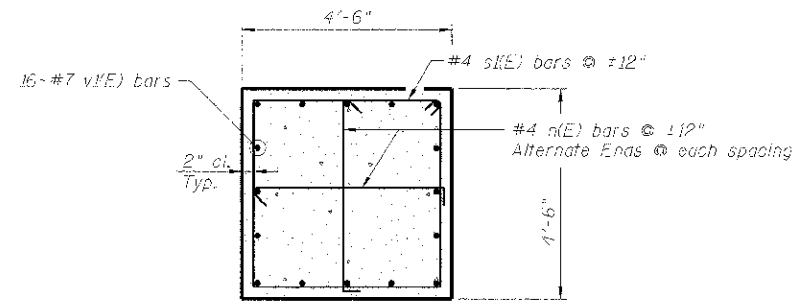
Reinforcement bars shall conform to the requirements ASTM A 706 GR 60.  
 Reinforcement bars designated (E) shall be epoxy coated.



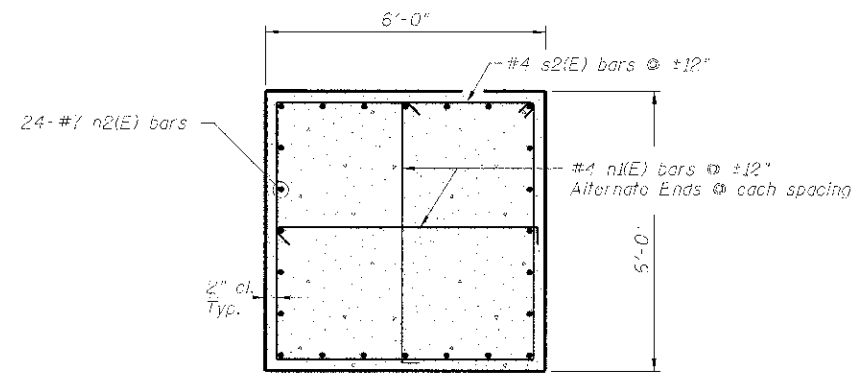
**MONUMENT, TYPE B ELEVATION**



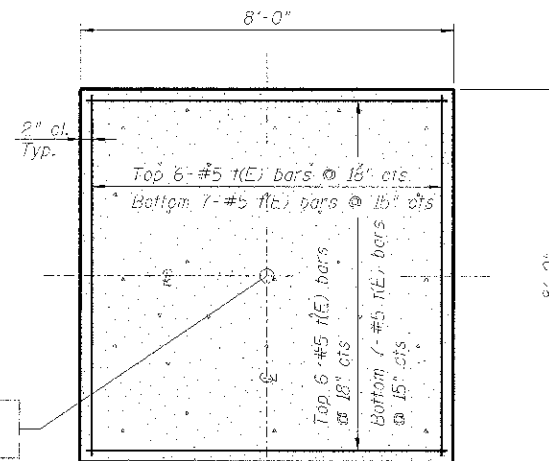
**SECTION A-A**



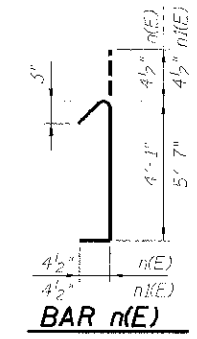
**SECTION B-B**



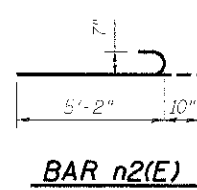
**SECTION C-C**



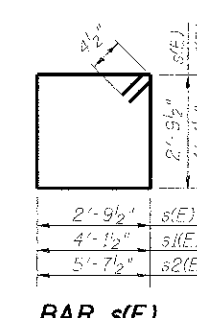
**SECTION D-D - FOOTING PLAN**



**BAR n(E)**



**BAR n2(E)**



**BAR s(E)**

**MONUMENT, TYPE B  
BILL OF MATERIAL**

Bar	No.	Size	Length	Shape
n(E)	20	4	4'-10"	U
n(E)	10	4	6'-4"	U
n2(E)	24	7	6'-0"	U
s(E)	18	4	11'-11"	□
s(E)	10	4	17'-3"	□
s2(E)	5	4	23'-3"	□
r(E)	26	5	7'-8"	—
v(E)	12	7	20'-11"	—
v(E)	16	7	8'-6 1/2"	—
Structure Excavation		Cu. Yd.	39	
Concrete Structures		Cu. Yd.	20.1	
Reinforcement Bars, Epoxy Coated		Pound	1770	

FILE NAME =	USER NAME =	DESIGNED JCT	REVISED -
		CHECKED JCT	REVISED -
		DRAWN ROD	REVISED -
		CHECKED - 12/17/2012	REVISED -

STATE OF ILLINOIS  
DEPARTMENT OF TRANSPORTATION

VILLAGE OF HILLSIDE  
MANNHEIM ROAD STREETScape & I-290 BRIDGE IMPROVEMENTS  
MONUMENT, TYPE B ELEVATION PLAN

F.A.P. RTE. 330	SECTION 06-00045-00-LS	COUNTY COOK	TOTAL SHEETS 11	SHEET NO. 07
SHEET NO. 07 OF 12 SHEETS				CONTRACT NO. 63783
ILLINOIS FED. AID PROJECT				