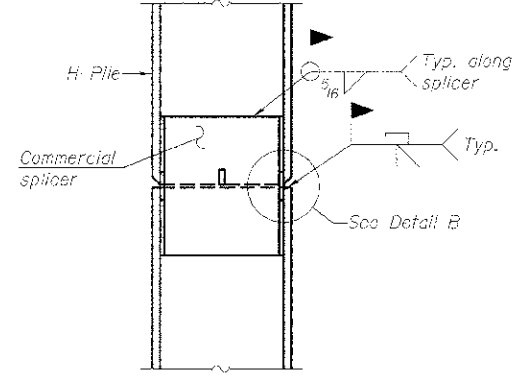
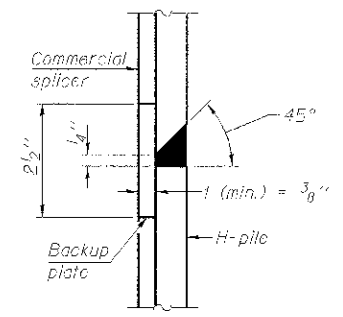


**STEEL PILE TABLE**

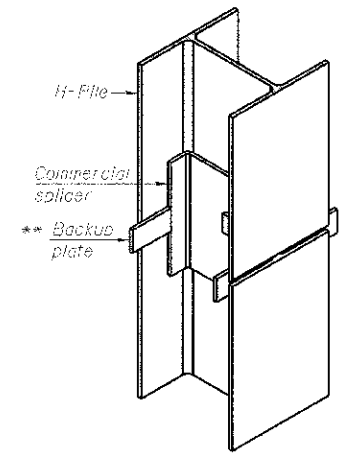
Designation	Depth d	Flange width b <sub>f</sub>	Web and Flange thickness t	Encasement diameter A
HP 14x117	14 1/4"	14 7/8"	3/8"	30"
x102	14"	14 3/4"	5/8"	30"
x89	13 7/8"	14 3/4"	5/8"	30"
x73	13 5/8"	14 5/8"	1/2"	30"
HP 12x84	12 1/4"	12 1/4"	5/8"	24"
x74	12 1/4"	12 1/4"	5/8"	24"
x63	12"	12 1/8"	1/2"	24"
x53	11 3/4"	12"	7/8"	24"
HP 10x57	10"	10 1/4"	5/8"	24"
x42	9 1/4"	10 3/8"	7/16"	24"
HP 8x35	8"	8 1/8"	7/16"	18"



**ELEVATION**

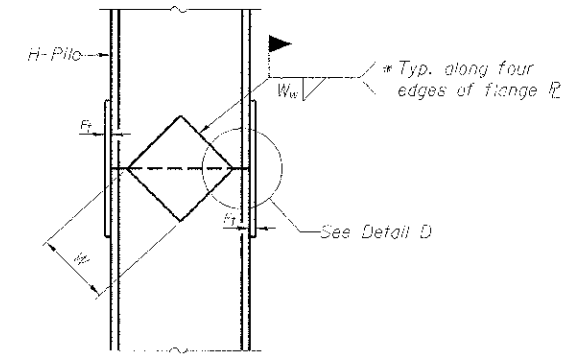


**DETAIL "B"**

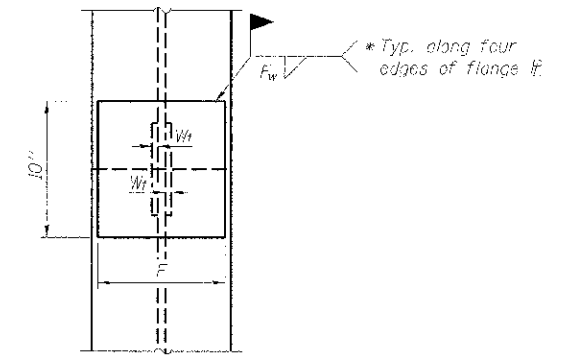


**ISOMETRIC VIEW**

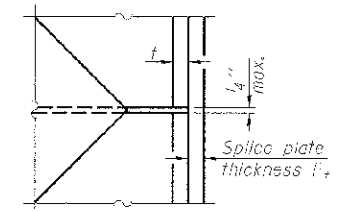
**WELDED COMMERCIAL SPLICE**



**ELEVATION**



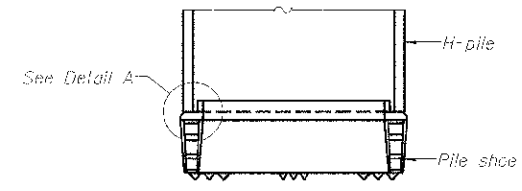
**END VIEW**



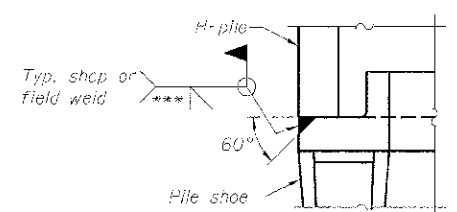
**DETAIL D**

**WELDED PLATE FIELD SPLICE**

Designation	F	F <sub>t</sub>	F <sub>w</sub>	W	N <sub>t</sub>	W <sub>w</sub>
HP 14x117	12 1/2"	1"	7/8"	7 3/4"	5/8"	1/2"
x102	12 1/2"	7/8"	3/4"	7 3/4"	5/8"	1/2"
x89	12 1/2"	3/4"	1/2"	7 3/4"	5/8"	1/2"
x73	12 1/2"	5/8"	9/16"	7 3/4"	5/8"	1/2"
HP 12x84	10"	7/8"	1/2"	6 1/2"	5/8"	1/2"
x74	10"	7/8"	1/2"	6 1/2"	5/8"	1/2"
x63	10"	5/8"	1/2"	6 1/2"	1/2"	3/8"
x53	10"	5/8"	1/2"	6 1/2"	1/2"	3/8"
HP 10x57	8"	3/4"	9/16"	5 1/4"	1/2"	3/8"
x42	8"	5/8"	3/16"	5 1/4"	1/2"	3/8"
HP 8x35	7"	5/8"	7/16"	4 1/4"	1/2"	3/8"

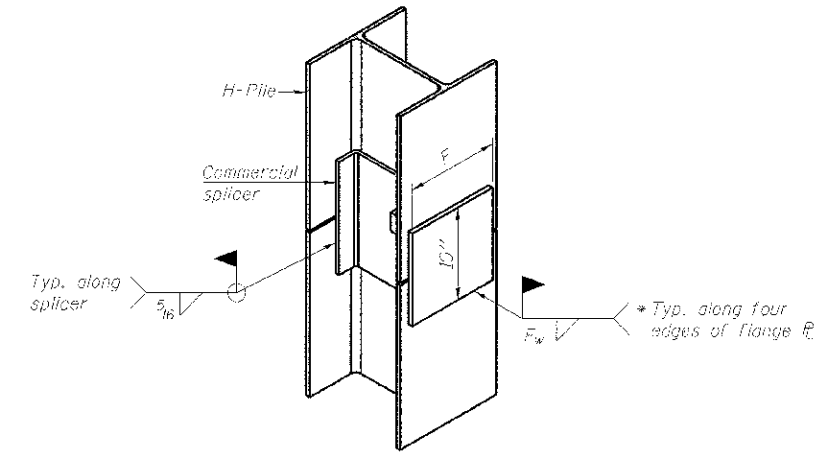


**ELEVATION**



**DETAIL A**

**H-PILE SHOE ATTACHMENT**



**ISOMETRIC VIEW**

**WELDED COMMERCIAL SPLICE ALTERNATE**

- \* Interrupt welds 1/4" from end of web and/or each flange.
- \*\* Remove portions of backup plates that extend outside the flanges.
- \*\*\* Weld size per pile shoe manufacturer (5/16" min.).

Note:  
The steel H-piles shall be according to AASHTO M270 Grade 50.

F-HP

1-1-10

FILE NAME =	USER NAME =	DESIGNED <i>JCT</i>	REVISED -	<b>STATE OF ILLINOIS DEPARTMENT OF TRANSPORTATION</b>	<b>VILLAGE OF HILLSIDE MANNHEIM ROAD STREETSCAPE &amp; I-290 BRIDGE IMPROVEMENTS PILE DETAILS</b>	F.A.P. RTE. =	SECTION =	COUNTY =	TOTAL SHEETS =	SHEET NO. =	
		CHECKED <i>JJT</i>	REVISED -			330	06-00045-00-LS	COOK	12	08	
PLOT SCALE =		DRAWN <i>ROD</i>	REVISED -			<b>CONTRACT NO. 63783</b>					
PLOT DATE =		CHECKED - 12/17/2012	REVISED -			ILLINOIS FED. AID PROJECT					

SHEET NO. 08 OF 12 SHEETS