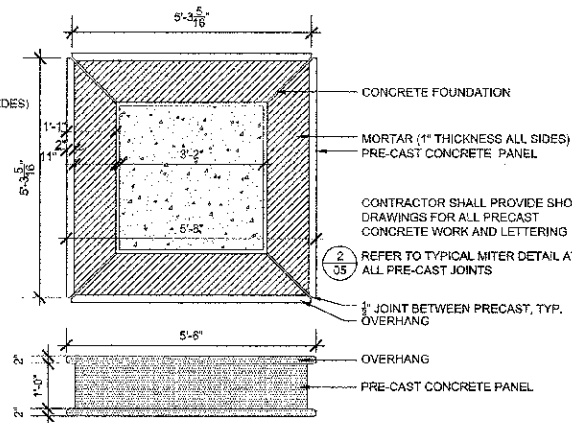
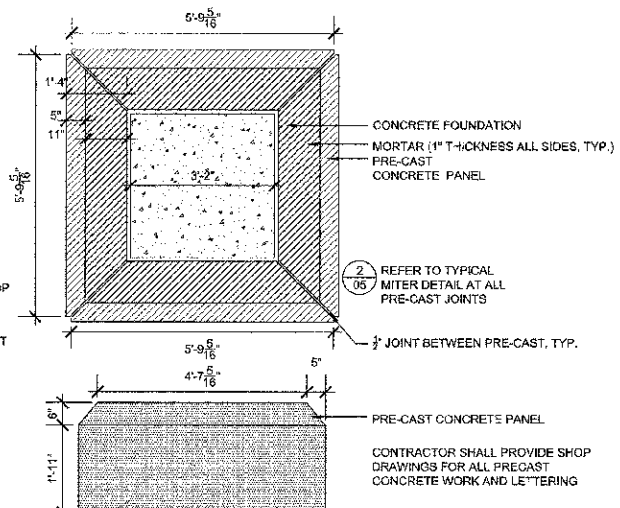


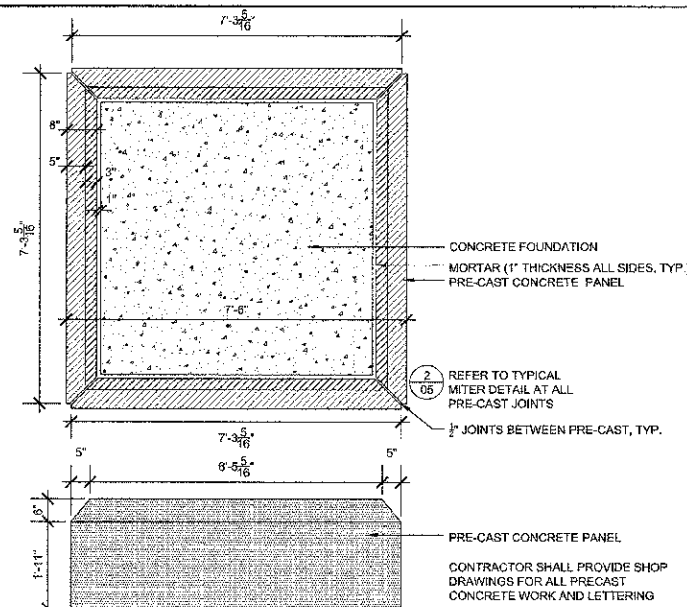
1 PRE-CAST PANEL A
SCALE: 1/2"=1'-0"



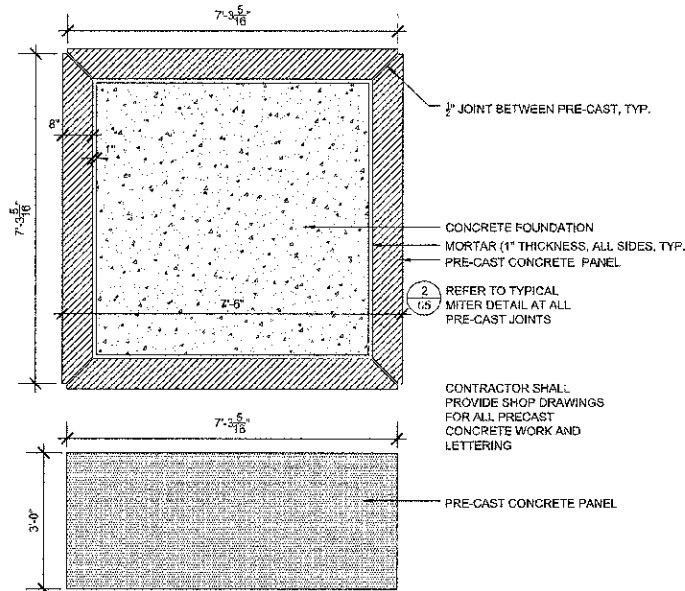
2 PRE-CAST PANEL B
SCALE: 1/2"=1'-0"



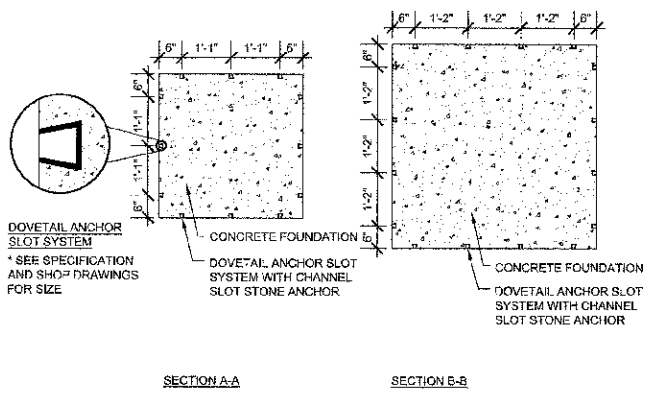
3 PRE-CAST PANEL C
SCALE: 1/2"=1'-0"



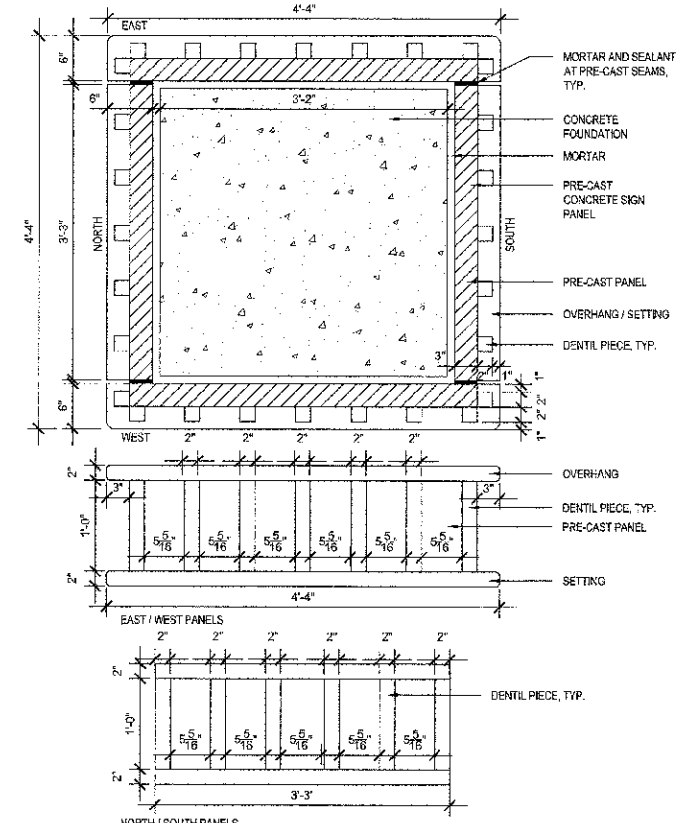
4 PRE-CAST PANEL D
SCALE: 1/2"=1'-0"



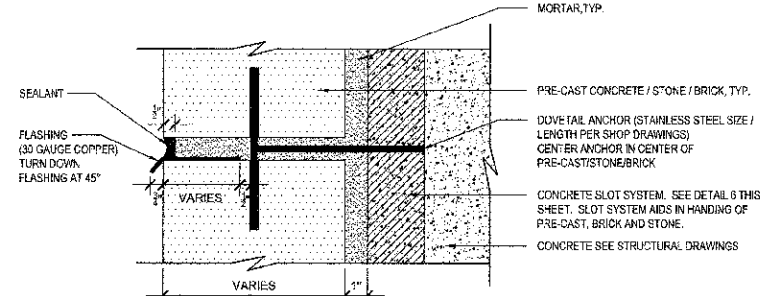
5 PRE-CAST PANEL E
SCALE: 1/2"=1'-0"



6 PRE-CAST ANCHORING
SCALE: 1/2"=1'-0"



7 DENTIL PRECAST
SCALE: 3"=1'-0"



8 FLASHING DOVETAIL ANCHOR (PRE-CAST/STONE/BRICK)
SCALE: 3"=1'-0"

NOTE: SUBMIT SHOP DRAWINGS FOR ALL MASONRY AND MASONRY COMPONENTS INDICATING MATERIAL, MATERIAL SIZE, FASTENERS (FASTENING METHODS, REINFORCEMENT, MORTAR AND SEALANT) INCLUDING PRECAST STONE.
NO LIFTING ANCHORS SHALL BE PERMITTED - ALL PRE-CAST SHALL BE SET / HANDLED USING NYLON STRAPS.
ALL MASONRY AND MATERIALS USED IN SETTING AND FASTENING SHALL BE REQUIRED TO HAVE A STATE OF ILLINOIS STRUCTURAL ENGINEER'S SEAL CERTIFYING STRUCTURAL INTEGRITY.

FILE NAME: 08-FILED\$
LAYOUT
DRAWN
REVIEWED

USER NAME =	DESIGNED -- RM/MW	REVISED --
PLOT SCALE =	DRAWN -- MW	REVISED --
PLOT DATE = 12/10/2012	CHECKED -- RM	REVISED --
	DATE -- 12/17/2012	REVISED --

STATE OF ILLINOIS
DEPARTMENT OF TRANSPORTATION

VILLAGE OF HILLSIDE MANNHEIM ROAD STREETSCAPE MONUMENT DETAILS		
SCALE: AS SHOWN	SHEET NO. 09 OF 12 SHEETS	STA. 84+00.00 TO STA. 88+50.00

F.A.P. RTE. 330	SECTION 06-00345-00-LS	COUNTY COOK	TOTAL SHEET NO. 12	SHEET NO. 09
CONTRACT NO. 83783				ILLINOIS