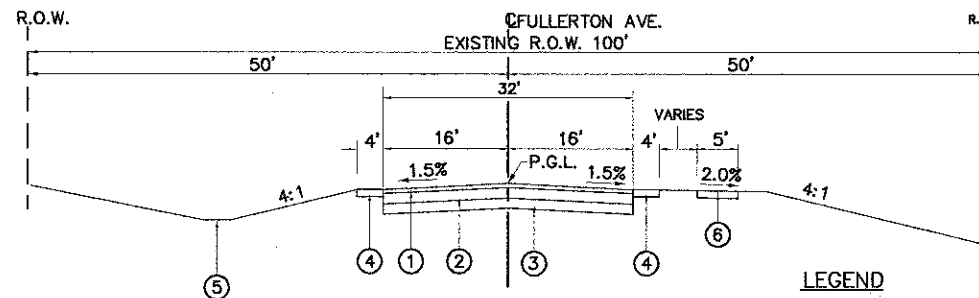


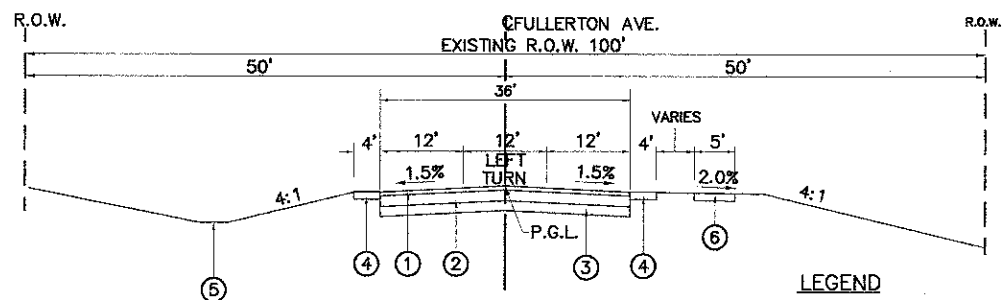
EXISTING TYPICAL SECTION - FULLERTON AVE.
STA. 14+28.96 TO STA. 17+72.56
STA. 19+25.60 TO STA. 21+41.97

- LEGEND**
- ① 16" HOT-MIX ASPHALT PAVEMENT STA. 14+28.96 TO STA. 17+72.56
6.75" HOT-MIX ASPHALT PAVEMENT STA. 19+25.60 TO STA. 21+41.97
 - ② 2" AGGREGATE SUBBASE STA. 14+28.96 TO STA. 17+72.56
5.25" AGGREGATE SUBBASE STA. 19+25.60 TO STA. 21+41.97
 - ③ PCC SIDEWALK
 - ④ SWALE/DITCH



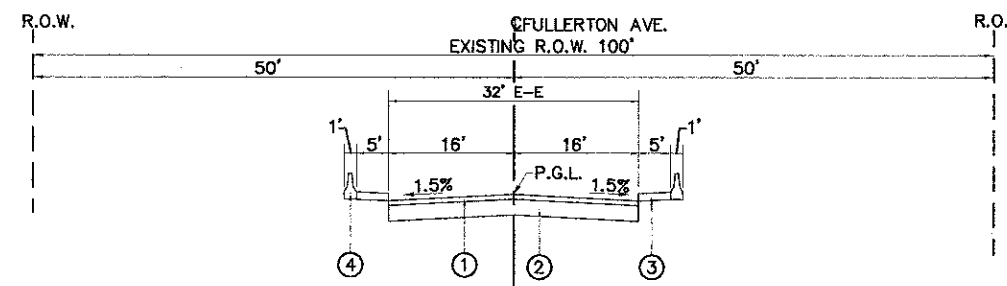
PROPOSED TYPICAL SECTION - FULLERTON AVE.
STA. 15+78.1 TO STA. 16+85
STA. 16+85 TO STA. 17+36.74
STA. 19+61.79 TO STA. 21+41.97

- LEGEND**
- ① 2 1/4" HMA SURF CRS, MIX "D", N50, IL-9.5
 - ② 9" HMA BASE COURSE
 - ③ AGGREGATE BASE COURSE TYPE B, 12"
 - ④ 6" AGGREGATE SHOULDER
 - ⑤ SWALE/DITCH (STA. 15+78.1 TO STA. 16+85)
 - ⑥ 5" PCC SIDEWALK



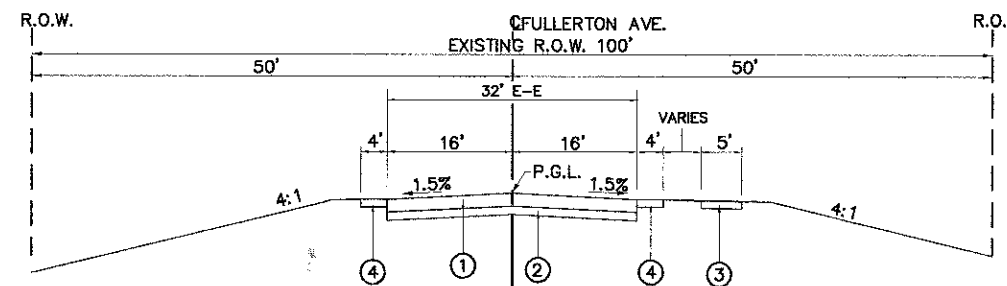
PROPOSED TYPICAL SECTION - FULLERTON AVE.
STA. 14+28.96 TO STA. 15+78.1

- LEGEND**
- ① 2 1/4" HMA SURF CRS, MIX "D", N50, IL-9.5
 - ② 9" HMA BASE COURSE
 - ③ AGGREGATE BASE COURSE TYPE B, 12"
 - ④ 6" AGGREGATE SHOULDER
 - ⑤ SWALE/DITCH
 - ⑥ 5" PCC SIDEWALK



PROPOSED TYPICAL BRIDGE SECTION - FULLERTON AVE.
STA. 17+72.56 TO STA. 19+25.59

- LEGEND**
- ① 5" CONCRETE WEARING SURFACE (MIN.)
 - ② 27" X 48" PCC DECK BEAM (TYP.)
 - ③ 5" PCC SIDEWALK
 - ④ CONCRETE BARRIER WALL



PROPOSED TYPICAL BRIDGE APPROACH SECTION - FULLERTON AVE.
STA. 17+42.56 TO STA. 17+72.56
STA. 19+25.59 TO STA. 19+55.59

- LEGEND**
- ① 15" CONCRETE BRIDGE APPROACH
 - ② AGGREGATE BASE COURSE TYPE B, 4"
 - ③ 5" PCC SIDEWALK
 - ④ 6" AGGREGATE SHOULDER

HOT-MIX MIXTURE REQUIREMENTS		
MIXTURE TYPE	AIR VOIDS @ Ndes	LOCATION
FULL DEPTH PAVEMENT		
HOT-MIX ASPHALT SURFACE COURSE, MIX "D", N50, 2 1/4" (IL 9.5 mm)	4% @ 50 Gyr.	FULLERTON AVE.
HOT-MIX ASPHALT BASE COURSE (HMA BINDER IL 19 mm); 9" (2 LIFTS)	4% @ 50 Gyr.	FULLERTON AVE.

THE UNIT WEIGHT USED TO CALCULATE ALL HOT-MIX ASPHALT SURFACE MIXTURE QUANTITIES IS 112 LBS/SQ YD/IN

* When RAP exceeds 20%, the new asphalt binder in the mix shall be PG 58-22.

PLOT DATE: Jan 03, 2013
FULLERTON AVE BRIDGE OVER SALT CREEK - PLAN - ENG REV - 1.1 - TP-3007_Site_P013-01.dwg



USER NAME	DESIGNED - JV/AS	REVISED -
PLOT SCALE	DRAWN - CS/DB	REVISED -
PLOT DATE - Jan 03, 2013	CHECKED - SV	REVISED -
	DATE -	REVISED -

STATE OF ILLINOIS
DEPARTMENT OF TRANSPORTATION

FULLERTON AVENUE BRIDGE OVER SALT CREEK
TYPICAL SECTIONS

SCALE: NTS SHEET NO. 1 OF 1 SHEETS STA. 14+28.96 TO STA. 21+41.97

F.A.U. RTE.	SECTION	COUNTY	TOTAL SHEETS	SHEET NO.
	08-01120-00-BR	DuPAGE	38	4
CONTRACT NO. 63785			ILLINOIS FED. AID PROJECT	