

INDEX OF SHEETS

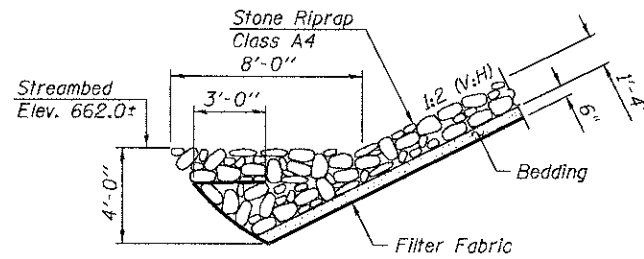
1. General Plan and Elevation
2. General Data
3. Superstructure
4. Superstructure Details
5. 27" x 48" PPC Deck Beam
6. 27" x 48" PPC Deck Beam Details
7. Top of West Approach Slab Elevations
8. Top of East Approach Slab Elevations
9. Bridge Approach Slab Details
10. Bridge Approach Slab Details
11. Aluminum Railing, Type L
12. West Abutment
13. East Abutment
14. Pier 1
15. Pier 2
16. HP Pile Details
17. Boring Logs
18. Boring Logs

GENERAL NOTES

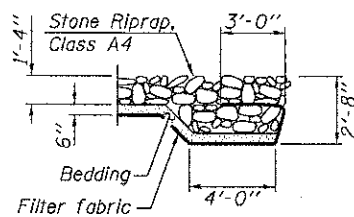
1. Reinforcement bars shall conform to the requirements of ASTM A 706 Gr 60.
2. Reinforcement bars designated (E) shall be epoxy coated.
3. Layout of slope protection system may be varied in the field to suit ground conditions as directed by the Engineer.
4. The Contractor shall drive test piles to 110% of the nominal required bearing specified in production locations of substructures specified or approved by the Engineer before ordering the remainder of piles.
5. All proposed construction activities shall be in accordance with Nationwide Permit number 14 of the Department of the Army authorized under section 404 of the Clean Water Act.
6. CONSTRUCTION PERMITS: The requirements of the IDNR - Office of Water Resources have been fulfilled in accordance with Statewide Permit No. 2.

TOTAL BILL OF MATERIAL

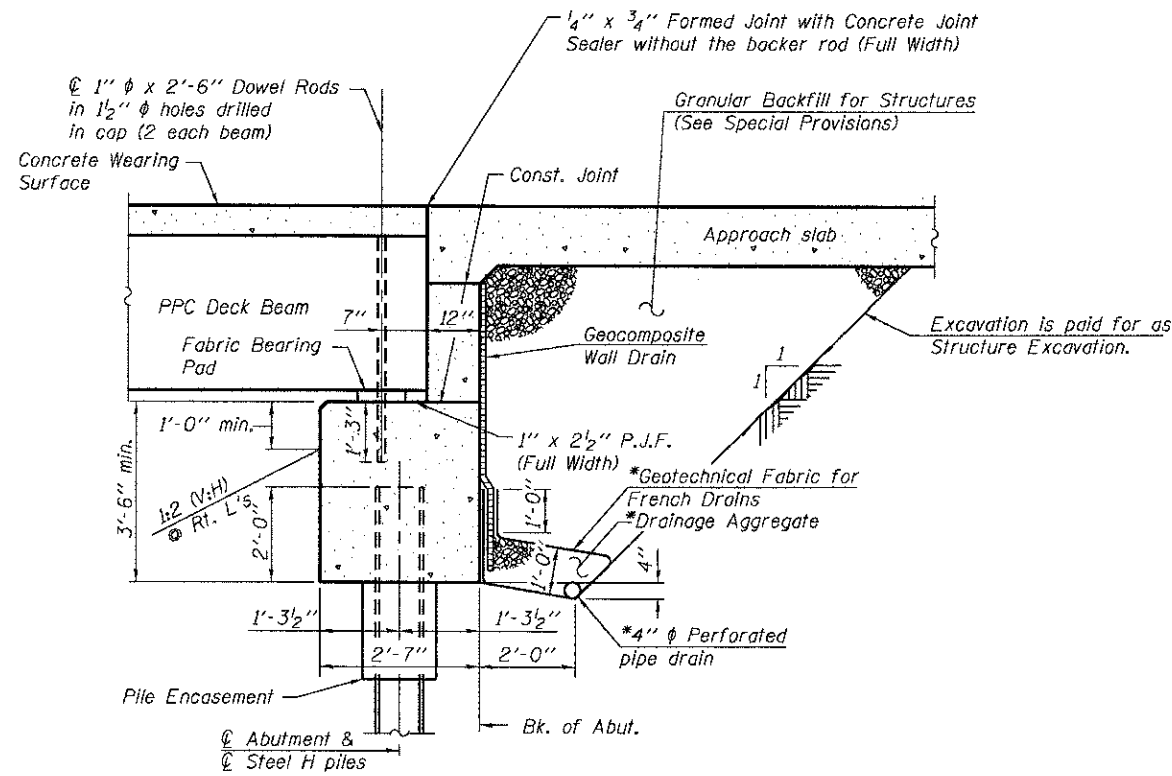
ITEM	UNIT	SUPER	SUB	TOTAL
Stone Riprap, Class A4	Sq. Yd.		1,194	1,194
Filter Fabric	Sq. Yd.		1,194	1,194
Removal of Existing Structures	Each		1	1
Structure Excavation	Cu. Yd.		104.7	104.7
Cofferdam Excavation	Cu. Yd.		134.9	134.9
Cofferdam (Type 1) (Location-1)	Each		1	1
Cofferdam (Type 1) (Location-2)	Each		1	1
Concrete Structures	Cu. Yd.		250.3	250.3
Concrete Superstructure	Cu. Yd.	218.9		218.9
Bridge Deck Grooving	Sq. Yd.	703		703
Concrete Encasement	Cu. Yd.		8.8	8.8
Protective Coat	Sq. Yd.	1,130		1,130
Precast Prestressed Concrete Deck Beams (27" Depth)	Sq. Ft.	6,633		6,633
Reinforcement Bars, Epoxy Coated	Pound	50,520	23,180	73,700
Aluminum Railing, Type L	Foot	346		346
Furnishing Steel Piles HP14x73	Foot		2,152	2,152
Driving Piles	Foot		2,152	2,152
Test Pile Steel 14x73	Each		4	4
Name Plate	Each	1		1
Geocomposite Wall Drain	Sq. Yd.		62	62
Granular Backfill for Structures	Cu. Yd.		110	110
Concrete Wearing Surface, 5"	Sq. Yd.	738		738
Pipe Underdrains for Structures 4"	Foot		162	162



SECTION A-A



SECTION B-B



SECTION THRU INTEGRAL ABUTMENT
(Horiz. dim. @ Rt. L's)

*Included in the cost of Pipe Underdrains for Structures.

Note:
All drainage system components shall extend to 2'-0" from the end of each wingwall except an outlet pipe shall extend until intersecting with the side slopes. The pipes shall drain into concrete headwalls. (See Article 601.05 of the Standard Specifications and Highway Standard 601101).

SALT CREEK
BUILT 20xx BY
DUPAGE COUNTY
SEC. 08-01120-00-BR
FULLERTON AVE. STA. 18+49.08
LOADING HL-93
STR. NO. 022-3041

NAME PLATE
See Std. 515001