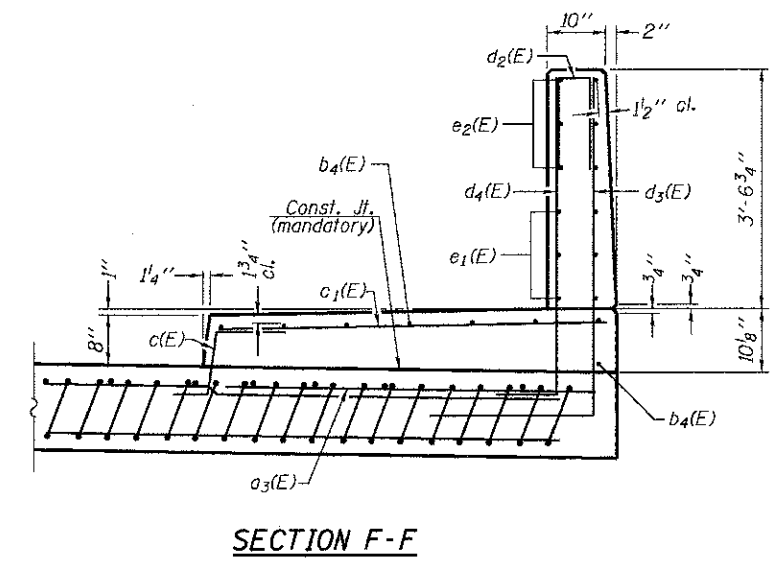
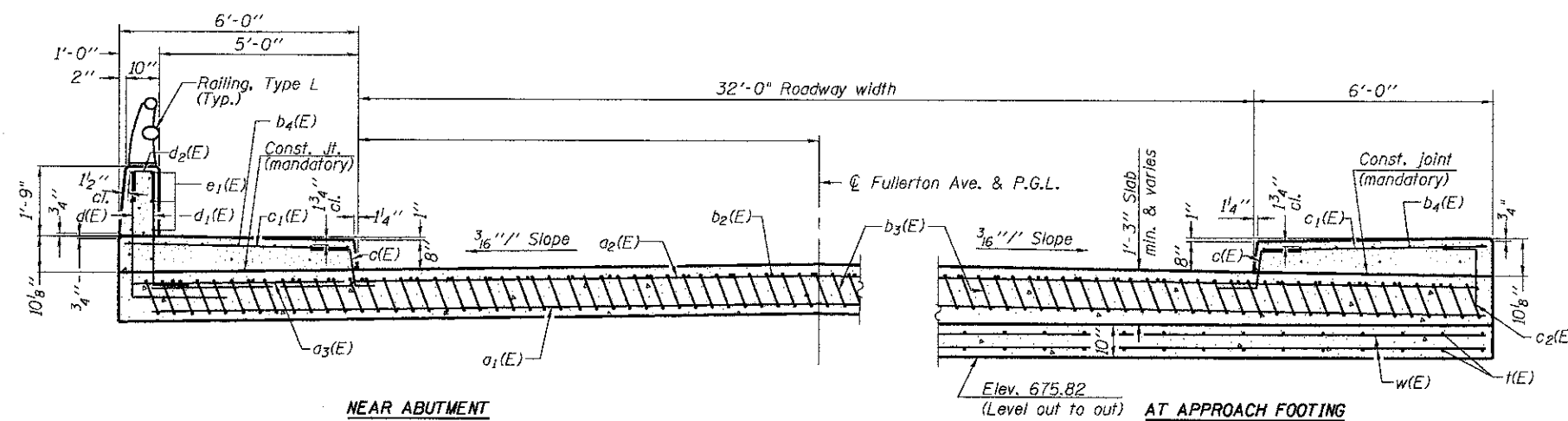


Notes:  
 See sheet 9 of 18 for Detail A.  
 Approach slab and parapet concrete shall be paid for as Concrete Superstructure.  
 Approach footing concrete shall be paid for as Concrete Structures.  
 Reinforcement shall be paid for as Reinforcement Bars, Epoxy Coated.  
 For v<sub>1</sub>(E) bar details, see sheets 12 and 13 of 18.  
 The approach footing maximum applied service bearing pressure (Q<sub>max</sub>) = 2.0 ksf.  
 Cost of excavation for approach footing included with Concrete Structures.  
 For Granular Backfill for Structures and drainage treatment details, see sheet 2 of 18.



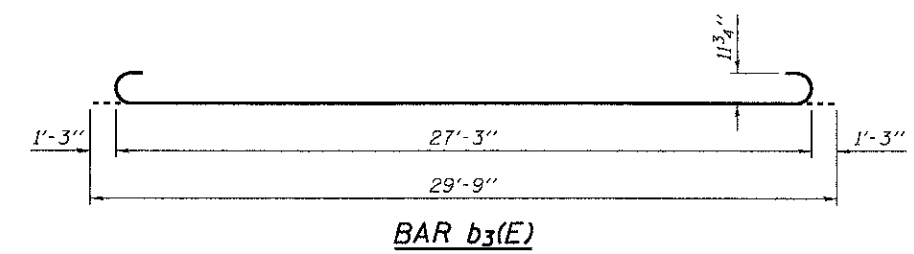
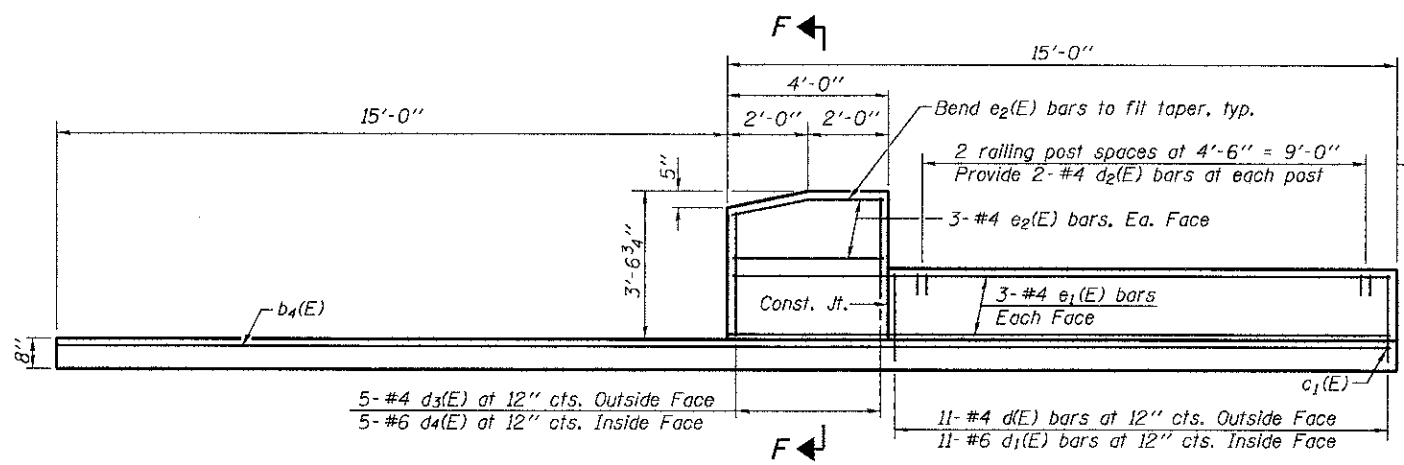
**TWO APPROACHES  
 BILL OF MATERIAL**

Bar	No.	Size	Length	Shape
a <sub>1</sub> (E)	184	#5	24'-7"	—
a <sub>2</sub> (E)	100	#4	24'-4"	—
a <sub>3</sub> (E)	48	#6	6'-6"	—
b <sub>2</sub> (E)	70	#4	29'-9"	—
b <sub>3</sub> (E)	204	#9	29'-9"	—
b <sub>4</sub> (E)	32	#5	29'-9"	—
c(E)	120	#5	2'-3"	┌
c <sub>1</sub> (E)	120	#5	6'-1"	—
c <sub>2</sub> (E)	80	#4	2'-0"	┌
d(E)	44	#4	3'-5"	┌
d <sub>1</sub> (E)	44	#6	3'-7"	┌
d <sub>2</sub> (E)	24	#4	2'-0"	┌
d <sub>3</sub> (E)	20	#4	5'-0"	┌
d <sub>4</sub> (E)	20	#6	5'-2"	┌
e <sub>1</sub> (E)	24	#4	14'-9"	—
e <sub>2</sub> (E)	24	#4	3'-9"	—
k(E)	176	#4	10'-4"	—
w(E)	160	#5	24'-7"	—
Bridge Deck Grooving		Sq. Yd.	200	
Concrete Superstructure		Cu. Yd.	150.3	
Concrete Structures		Cu. Yd.	28.9	
Protective Coat		Sq. Yd.	316	
** Reinforcement Bars, Epoxy Coated		Pound	37190	

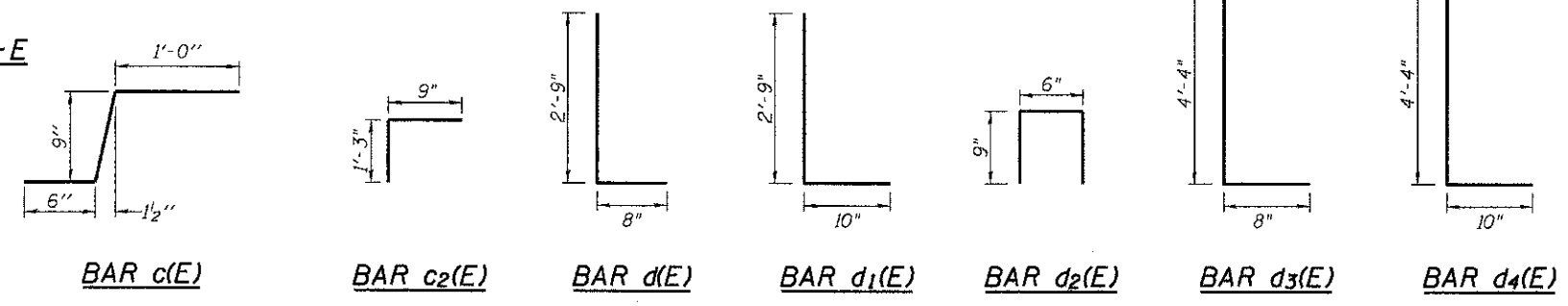
\*\* Reinforcement Bars, Epoxy Coated  
 Superstructure = 31,870  
 Substructure = 5,320

\* Tilt #9 b<sub>3</sub>(E) bars as required to maintain clearance.  
 \*\*\* Cost included with Concrete Superstructure.

**SECTION D-D**  
 (See Plan for dimensions not shown)



**VIEW E-E**



BA-R 10-9-12

(Sheet 2 of 2)



USER NAME	DESIGNED - RJP	REVISED
PLOT SCALE	CHECKED - MJT	REVISED
PLOT DATE	DRAWN - JTF	REVISED
	CHECKED - MJT	REVISED

STATE OF ILLINOIS  
 DEPARTMENT OF TRANSPORTATION

BRIDGE APPROACH SLAB DETAILS  
 STRUCTURE NO. 022-3041

F.A.P. RTE.	SECTION	COUNTY	TOTAL SHEETS	SHEET NO.
	08-01120-00-BR	DUPAGE	38	26
			CONTRACT NO. 63785	

SHEET NO. 10 OF 18 SHEETS

ILLINOIS FED. AID PROJECT