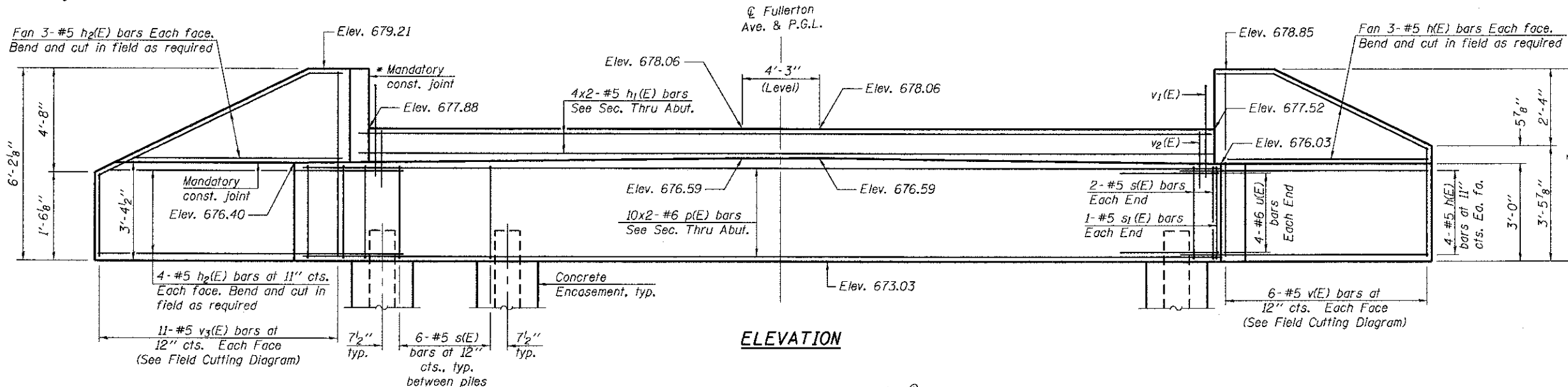
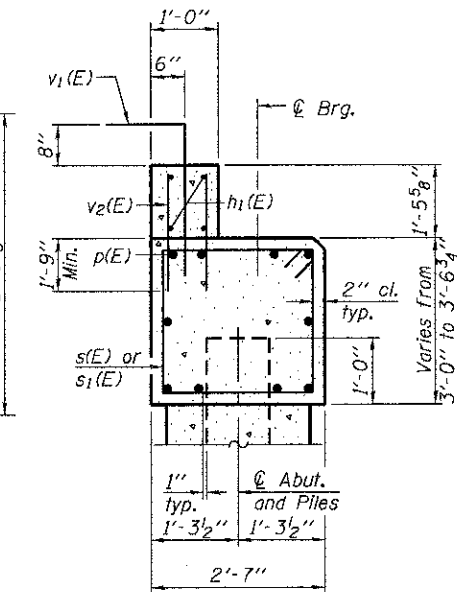


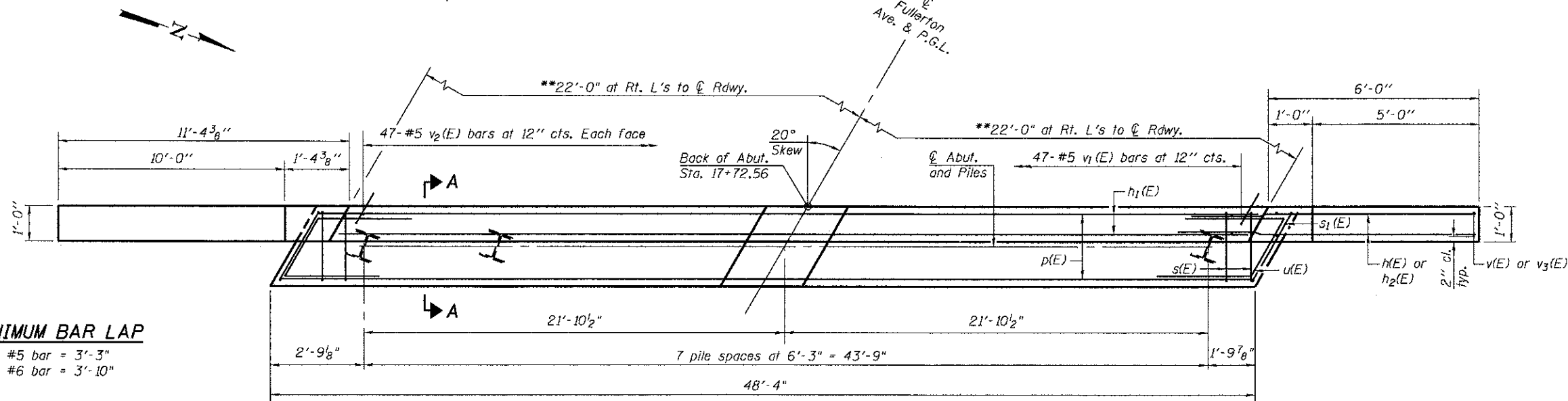
* Cast top of wingwall flush with exterior beam face after beams and concrete wearing surface have been erected.



ELEVATION



SECTION A-A
(Dimensions are at Rt. L's)



PLAN

**May vary due to overrun of Beams.

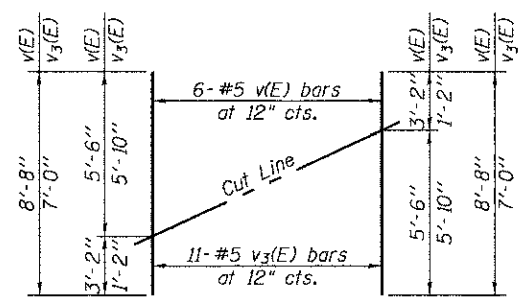
MINIMUM BAR LAP
#5 bar = 3'-3"
#6 bar = 3'-10"

BILL OF MATERIAL

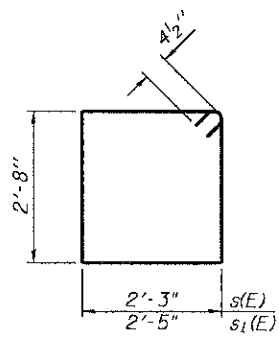
Bar	No.	Size	Length	Shape
h(E)	14	#5	8'-3"	—
h1(E)	8	#5	24'-11"	—
h2(E)	14	#5	13'-3"	—
p(E)	20	#6	25'-11"	—
s(E)	46	#5	10'-7"	□
s1(E)	2	#5	10'-11"	□
u(E)	8	#6	8'-6"	┘
v(E)	6	#5	8'-8"	—
v1(E)	47	#5	4'-8"	┘
v2(E)	94	#5	3'-2"	—
v3(E)	11	#5	7'-0"	—
Structure Excavation		Cu. Yd.	52.5	
Concrete Structures		Cu. Yd.	20.4	
Reinforcement Bars, Epoxy Coated		Pound	2610	
Furnishing Steel Piles, HP14x73		Foot	399	
Driving Piles		Foot	399	
Test Pile Steel, HP14x73		Each	1	
Concrete Encasement		Cu. Yd.	4.4	

PILE DATA

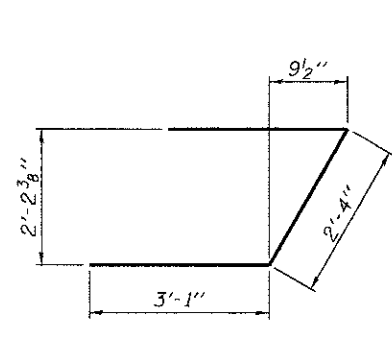
Type: HP 14x73
Nominal Required Bearing: 334 k
Factored Resistance Available: 184 k
Est. Length: 57 ft
No. Production Piles: 7
No. Test Piles: 1



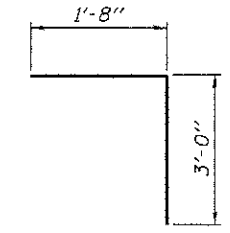
FIELD CUTTING DIAGRAM
Order v(E) & v3(E) full length. Cut as shown and use remainder of bars in opposite face.



BARS s(E) & s1(E)



BAR u(E)



BAR v1(E)

Notes:
For details of piles and Concrete Encasement, see sheet 16 of 18.
Cast backwall after beams and concrete wearing surface have been erected.

AD-2742-R

7-1-10



USER NAME	DESIGNED - RJP	REVISION
PLOT SCALE	CHECKED - MJT	REVISION
PLOT DATE	DRAWN - JTF	REVISION
	CHECKED - MJT	REVISION

STATE OF ILLINOIS
DEPARTMENT OF TRANSPORTATION

WEST ABUTMENT
STRUCTURE NO. 022-3041

SHEET NO. 12 OF 18 SHEETS

F.A.P. RTE.	SECTION	COUNTY	TOTAL SHEETS	SHEET NO.
	08-01120-00-BR	DUPAGE	38	28
			CONTRACT NO. 63785	
ILLINOIS FED. AID PROJECT				