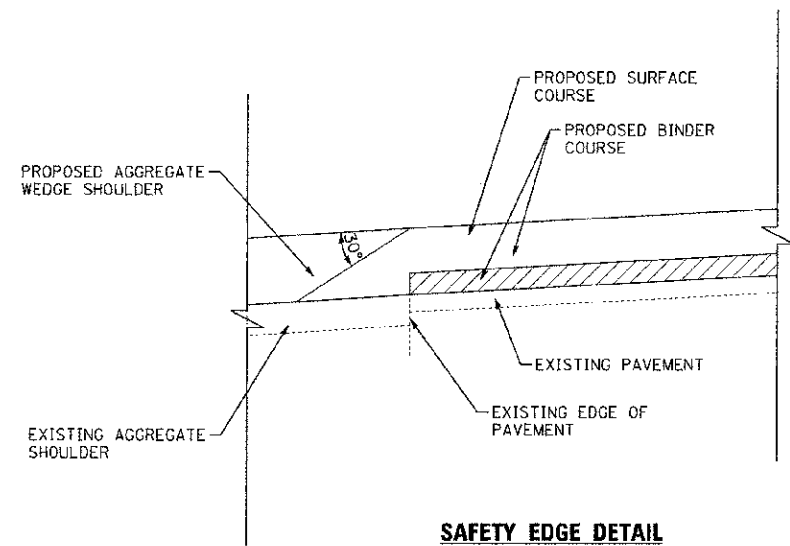
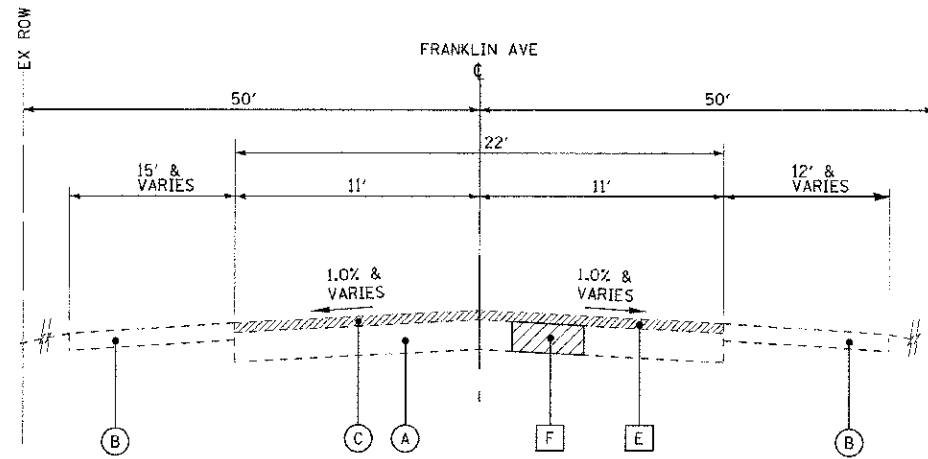


QIP-10001 © 2007 BY BAYTES & HOZMAN, INC.
 STATE OF ILLINOIS - PROFESSIONAL DESIGN FIRM
 5800 S. WOODSTOCK AVE., SUITE 200, CHICAGO, IL 60629
 TEL: 773.278.7200 FAX: 773.278.7201

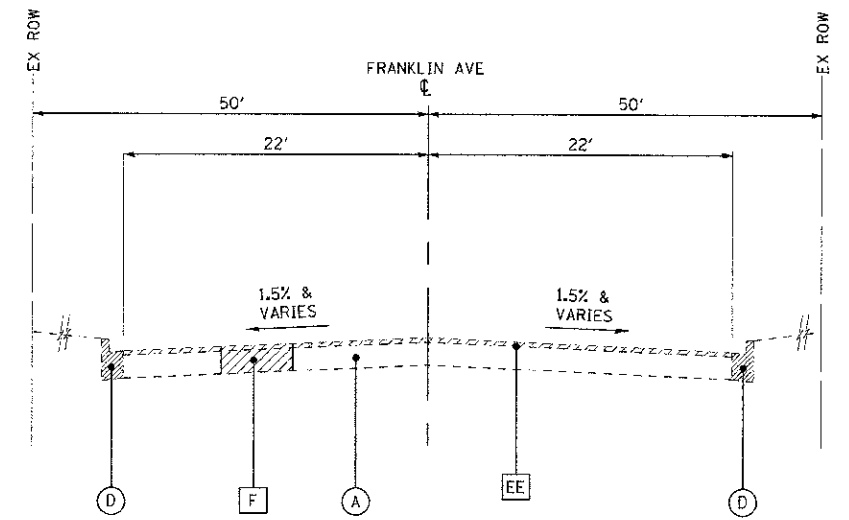


MATERIALS EXCAVATED FOR THE CONSTRUCTION OF SHOULDERS SUITABLE FOR REUSE, AS DETERMINED BY THE ENGINEER, SHALL BE PLACED WITHIN THE EXISTING AGGREGATE SHOULDER OR THE FORESLOPE DIRECTLY ADJACENT THERETO. NO MATERIALS SHALL BE TAKEN OFF SITE WITHOUT PRIOR APPROVAL FROM THE ENGINEER.



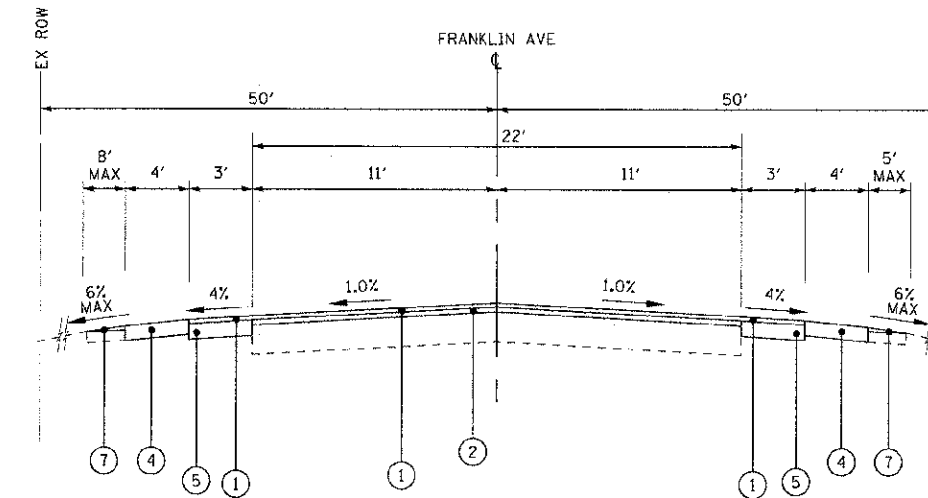
**EXISTING TYPICAL SECTION
FRANKLIN AVENUE**

STA 146+21 TO STA 152+42



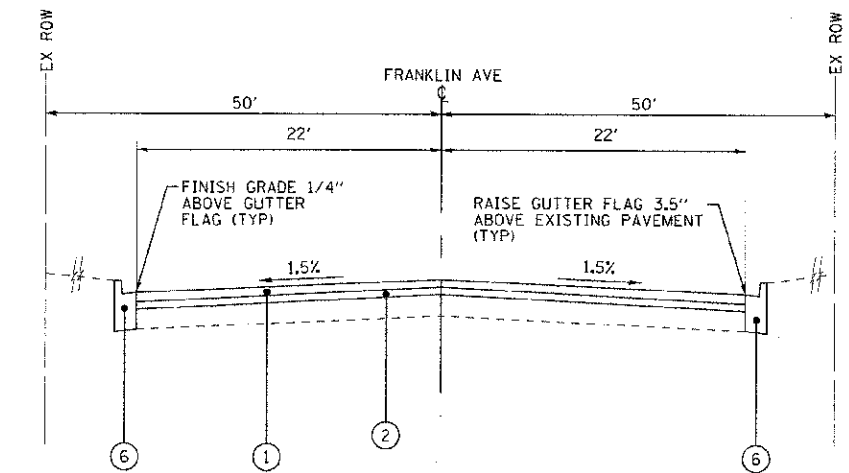
**EXISTING TYPICAL SECTION
FRANKLIN AVENUE**

STA 152+42 TO STA 165+00



**PROPOSED TYPICAL SECTION
FRANKLIN AVENUE**

STA 146+21 TO STA 152+42



**PROPOSED TYPICAL SECTION
FRANKLIN AVENUE**

STA 152+42 TO STA 165+00

LEGEND

- (A) EXISTING PCC PAVEMENT, 10"±
- (B) EXISTING AGGREGATE SHOULDER
- (BB) EXISTING HMA SHOULDER
- (C) EXISTING HMA OVERLAY, 2"±
- (D) EXISTING CONCRETE CURB & GUTTER
- (E) HOT-MIX ASPHALT SURFACE REMOVAL, 2"
- (EE) PORTLAND CEMENT CONCRETE SURFACE REMOVAL, 1/4"
- (F) CLASS D PATCHES, 10"
- (G) PARTIAL DEPTH REMOVAL 3" AND PARTIAL DEPTH PATCHING
- (Hatched) ITEM TO BE REMOVED
- (1) POLYMERIZED HOT-MIX ASPHALT SURFACE COURSE, STONE MATRIX ASPHALT, N80 - 2"
- (2) POLYMERIZED HOT-MIX ASPHALT BINDER COURSE, STONE MATRIX ASPHALT, N80 - 2" MIN RESERVED
- (3) RESERVED
- (4) AGGREGATE SHOULDERS, TYPE B 6"
- (5) HOT-MIX ASPHALT SHOULDERS, 6"
- (6) COMBINATION CONCRETE CURB & GUTTER, TYPE B-6.24
- (7) GRADING AND SHAPING SHOULDERS; AND AGGREGATE WEDGE SHOULDER, TYPE B

DESIGNED - REW	REVISED -
DRAWN - BCD	REVISED
CHECKED - TAO	REVISED -
DATE - 12/10/12	FILE - 110413-1YPSEC-2.sht

**STATE OF ILLINOIS
DEPARTMENT OF TRANSPORTATION**

**FRANKLIN AVENUE
TYPICAL SECTIONS**

SCALE: NONE

STA. TO STA.

FULL RTE.	SECTION	COUNTY	TOTAL SHEETS	SHEET NO.
3833	09-00072-00-PV	COOK	21	6
CONTRACT NO. 63811			FED. ROAD DIST. NO. 1 ILLINOIS FED. AID PROJECT M-9003(720)	