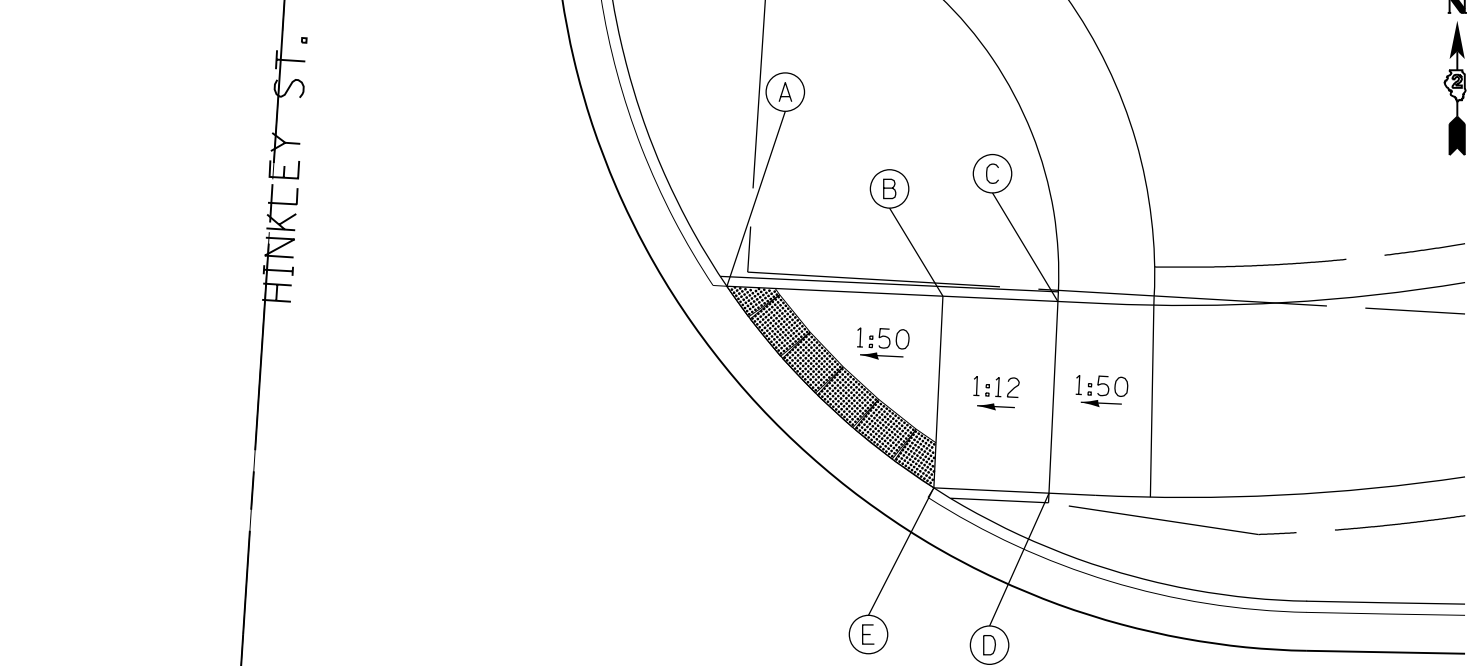


**WEST STATE ST (US BR 20) & HINKLEY AVE INTERSECTION
NORTHWEST - SIDEWALK RAMP GRADES**

POINT NO.	STATION	OFFSET	SIDE	ELEVATION
A	260+17.76	39.08	LT	734.58
B	260+11.76	39.08	LT	735.08
C	260+06.76	39.08	LT	735.18
D	260+06.76	49.08	LT	734.98
E	260+11.76	49.08	LT	734.89
F	260+17.86	49.08	LT	734.58
G	260+22.08	53.77	LT	734.55
H	260+25.07	58.95	LT	735.05
I	260+26.73	63.67	LT	735.25
J	260+34.68	61.66	LT	735.12
K	260+32.50	55.67	LT	735.00
L	260+28.57	49.08	LT	734.51

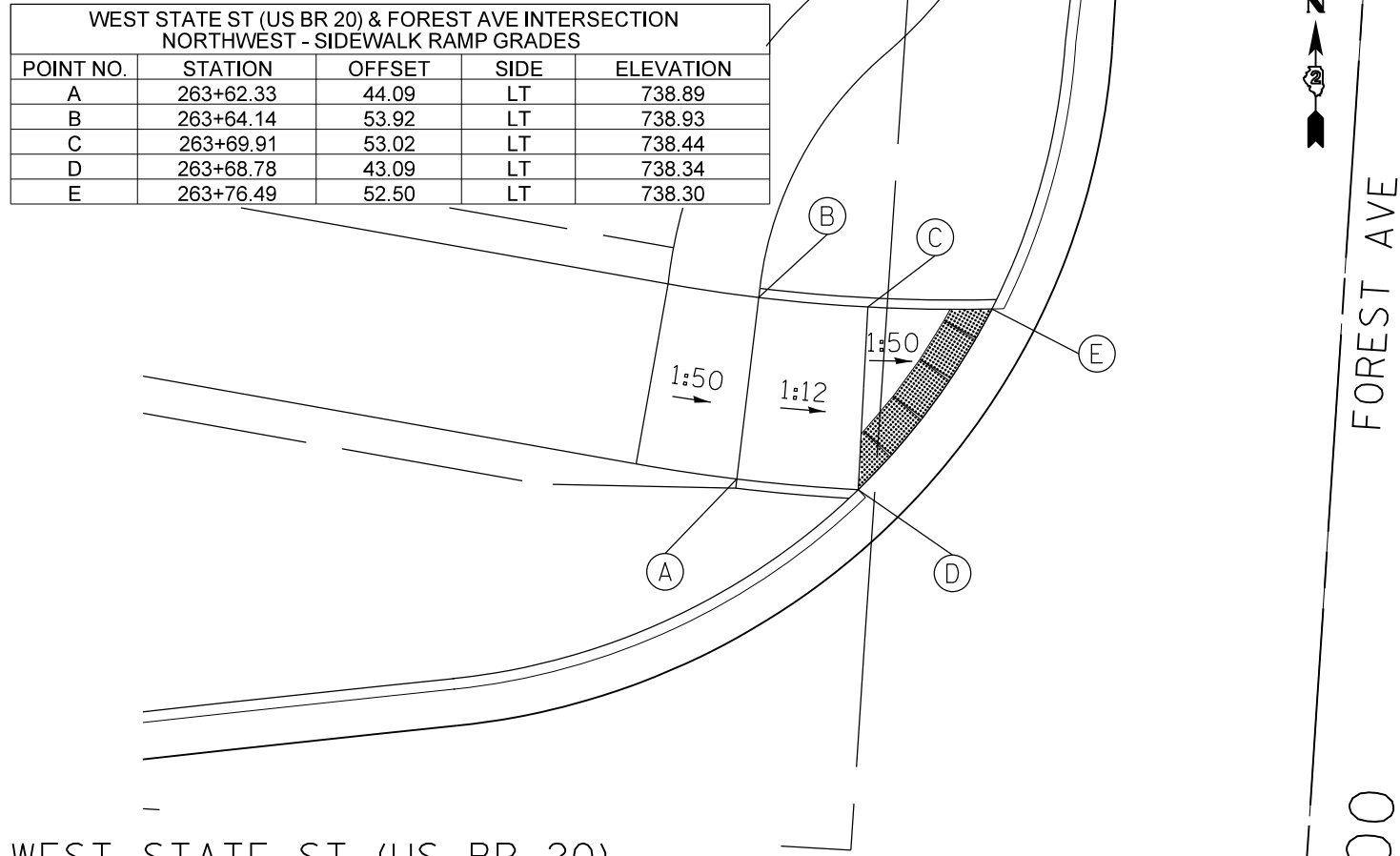
WEST STATE ST (US BR 20)



**WEST STATE ST (US BR 20) & HINKLEY AVE INTERSECTION
NORTHEAST - SIDEWALK RAMP GRADES**

POINT NO.	STATION	OFFSET	SIDE	ELEVATION
A	260+76.79	49.16	LT	734.97
B	260+88.33	49.00	LT	735.20
C	260+94.48	48.89	LT	735.69
D	260+94.28	38.89	LT	735.86
E	260+88.16	39.00	LT	735.36

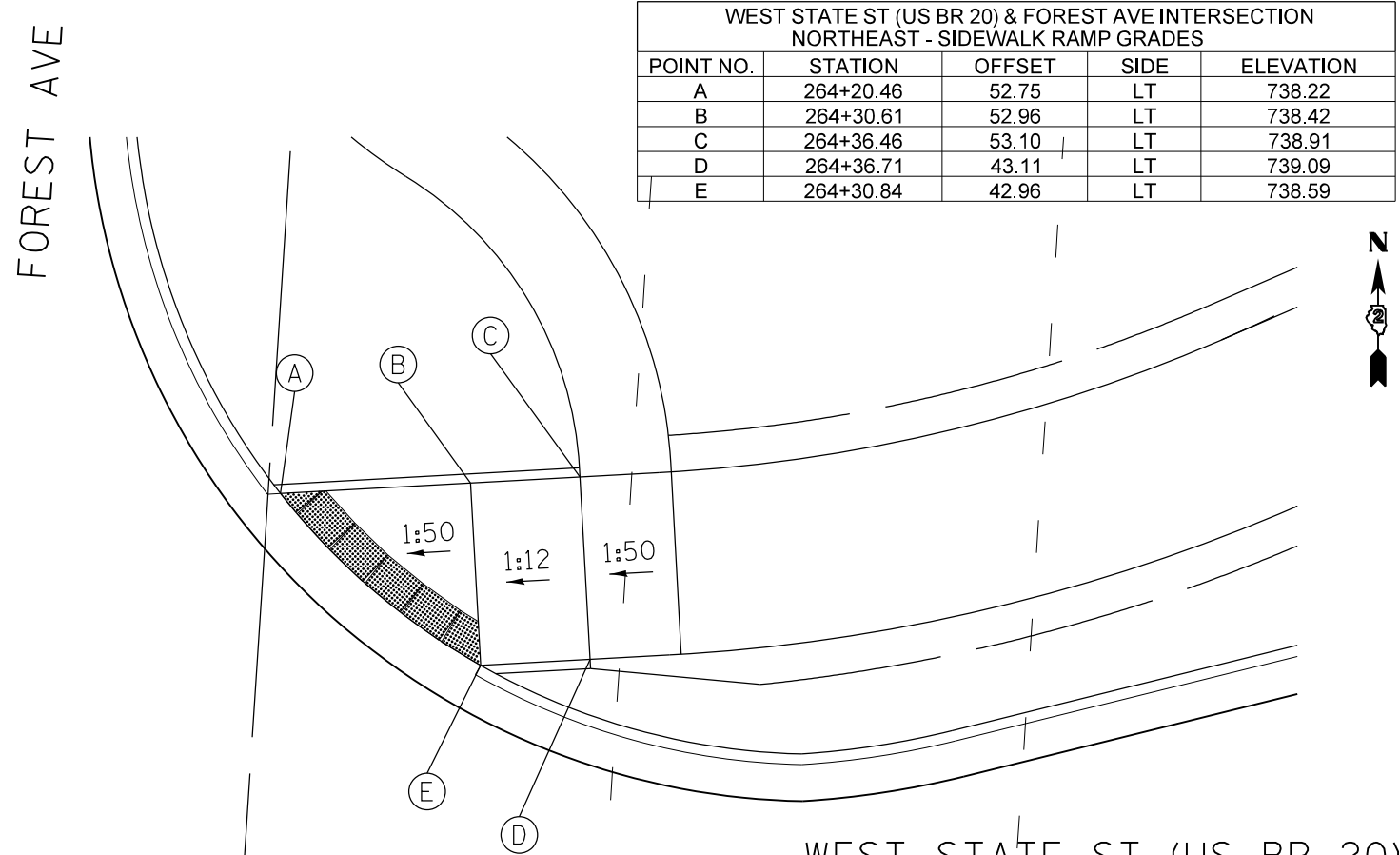
WEST STATE ST (US BR 20)



**WEST STATE ST (US BR 20) & FOREST AVE INTERSECTION
NORTHWEST - SIDEWALK RAMP GRADES**

POINT NO.	STATION	OFFSET	SIDE	ELEVATION
A	263+62.33	44.09	LT	738.89
B	263+64.14	53.92	LT	738.93
C	263+69.91	53.02	LT	738.44
D	263+68.78	43.09	LT	738.34
E	263+76.49	52.50	LT	738.30

WEST STATE ST (US BR 20)



**WEST STATE ST (US BR 20) & FOREST AVE INTERSECTION
NORTHEAST - SIDEWALK RAMP GRADES**

POINT NO.	STATION	OFFSET	SIDE	ELEVATION
A	264+20.46	52.75	LT	738.22
B	264+30.61	52.96	LT	738.42
C	264+36.46	53.10	LT	738.91
D	264+36.71	43.11	LT	739.09
E	264+30.84	42.96	LT	738.59

WEST STATE ST (US BR 20)