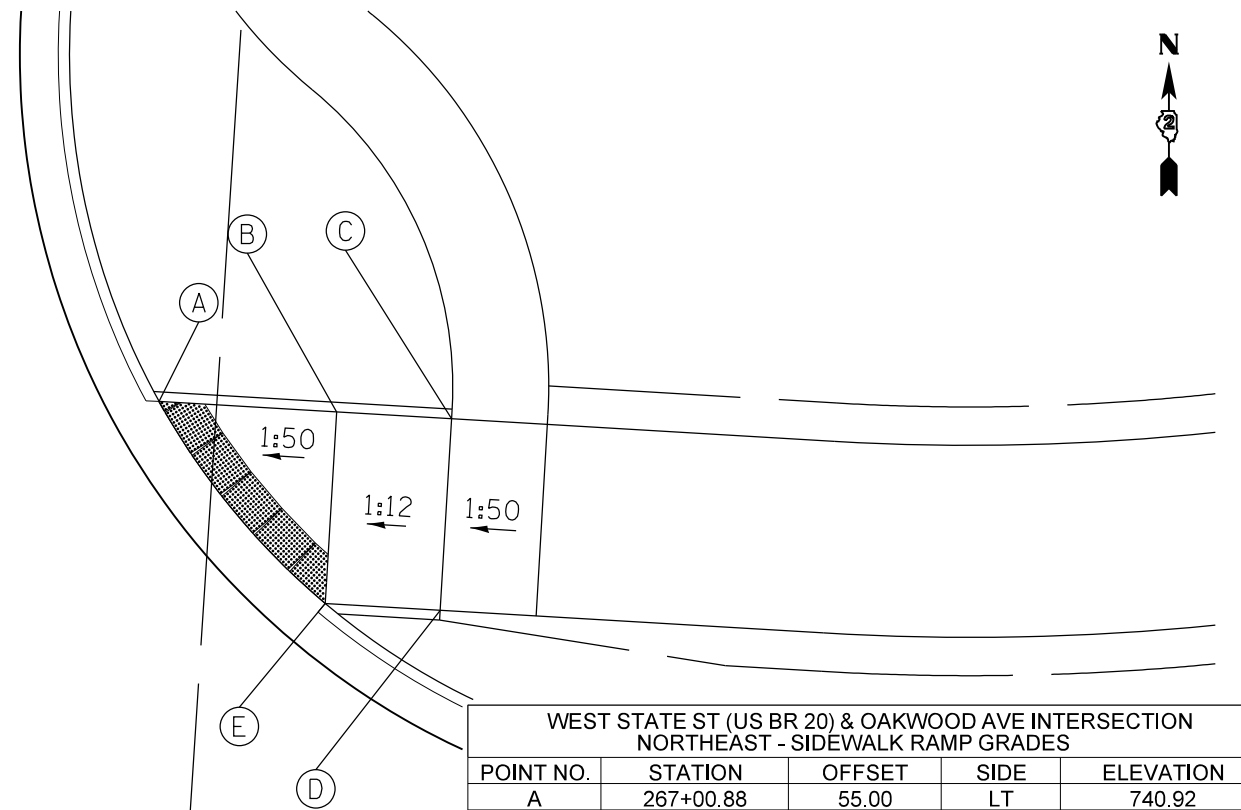


**WEST STATE ST (US BR 20) & OAKWOOD AVE INTERSECTION  
NORTHWEST - SIDEWALK RAMP GRADES**

POINT NO.	STATION	OFFSET	SIDE	ELEVATION
A	266+47.86	45.00	LT	740.81
B	266+41.86	45.00	LT	741.31
C	266+41.86	55.00	LT	741.44
D	266+47.86	55.00	LT	740.94
E	266+57.13	55.00	LT	741.12

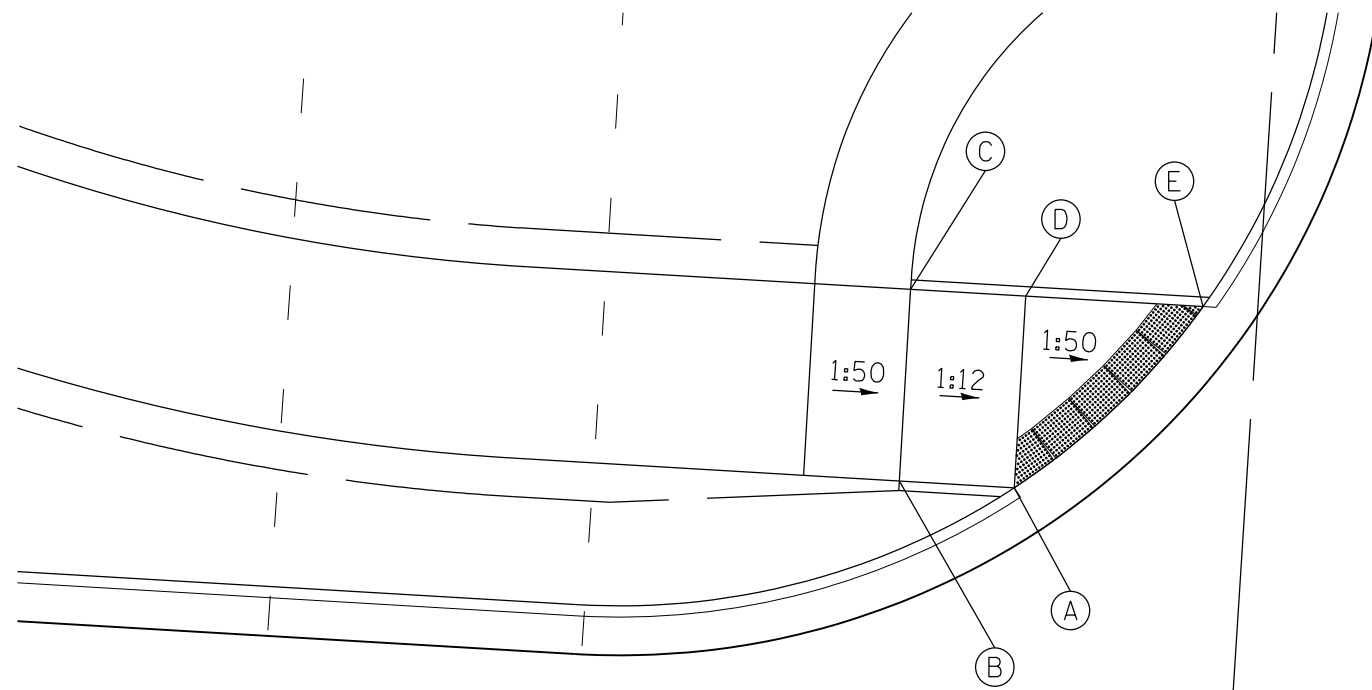
OAKWOOD AVE

WEST STATE ST (US BR 20)



**WEST STATE ST (US BR 20) & OAKWOOD AVE INTERSECTION  
NORTHEAST - SIDEWALK RAMP GRADES**

POINT NO.	STATION	OFFSET	SIDE	ELEVATION
A	267+00.88	55.00	LT	740.92
B	267+10.14	55.00	LT	741.11
C	267+16.14	55.00	LT	741.60
D	267+16.14	45.00	LT	741.41
E	267+10.14	45.00	LT	740.91

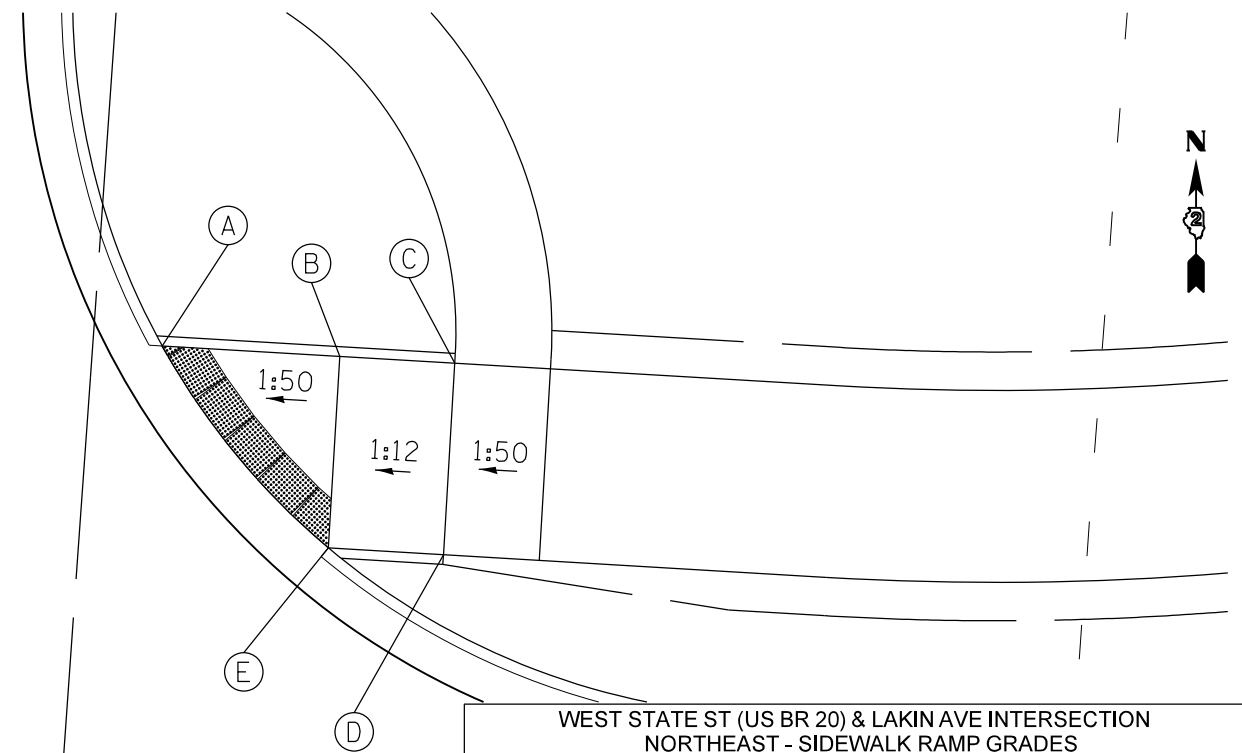


**WEST STATE ST (US BR 20) & LAKIN AVE INTERSECTION  
NORTHWEST - SIDEWALK RAMP GRADES**

POINT NO.	STATION	OFFSET	SIDE	ELEVATION
A	269+58.79	45.00	LT	742.49
B	269+52.79	45.00	LT	742.99
C	269+52.79	55.00	LT	742.89
D	269+58.79	55.00	LT	742.41
E	269+68.05	55.00	LT	742.60

LAKIN TERRACE

WEST STATE ST (US BR 20)



**WEST STATE ST (US BR 20) & LAKIN AVE INTERSECTION  
NORTHEAST - SIDEWALK RAMP GRADES**

POINT NO.	STATION	OFFSET	SIDE	ELEVATION
A	270+02.82	55.00	LT	742.69
B	270+12.08	55.00	LT	742.83
C	270+18.08	55.00	LT	743.33
D	270+18.08	45.00	LT	743.13
E	270+12.08	45.00	LT	742.63

FILE NAME =	USER NAME = dosddd	DESIGNED -	REVISED -
et:\pw\work\p\dot\dosddd\d0326838\01sabled_Ramps.dgn		DRAWN -	REVISED -
Default	PLOT SCALE = 10.0000' / in.	CHECKED -	REVISED -
	PLOT DATE = Mon Dec 17 15:44:19 2012	DATE -	REVISED -

**STATE OF ILLINOIS  
DEPARTMENT OF TRANSPORTATION**

**OAKWOOD AVE AND LAKIN TERRACE CROSSWALKS  
SIDEWALK RAMP DETAIL**

SCALE: SHEET OF SHEETS STA. TO STA.

F.A.P. RTE.	SECTION	COUNTY	TOTAL SHEETS	SHEET NO.
303	41R	WINNEBAGO	327	192
CONTRACT NO. 64750				
ILLINOIS FED. AID PROJECT				