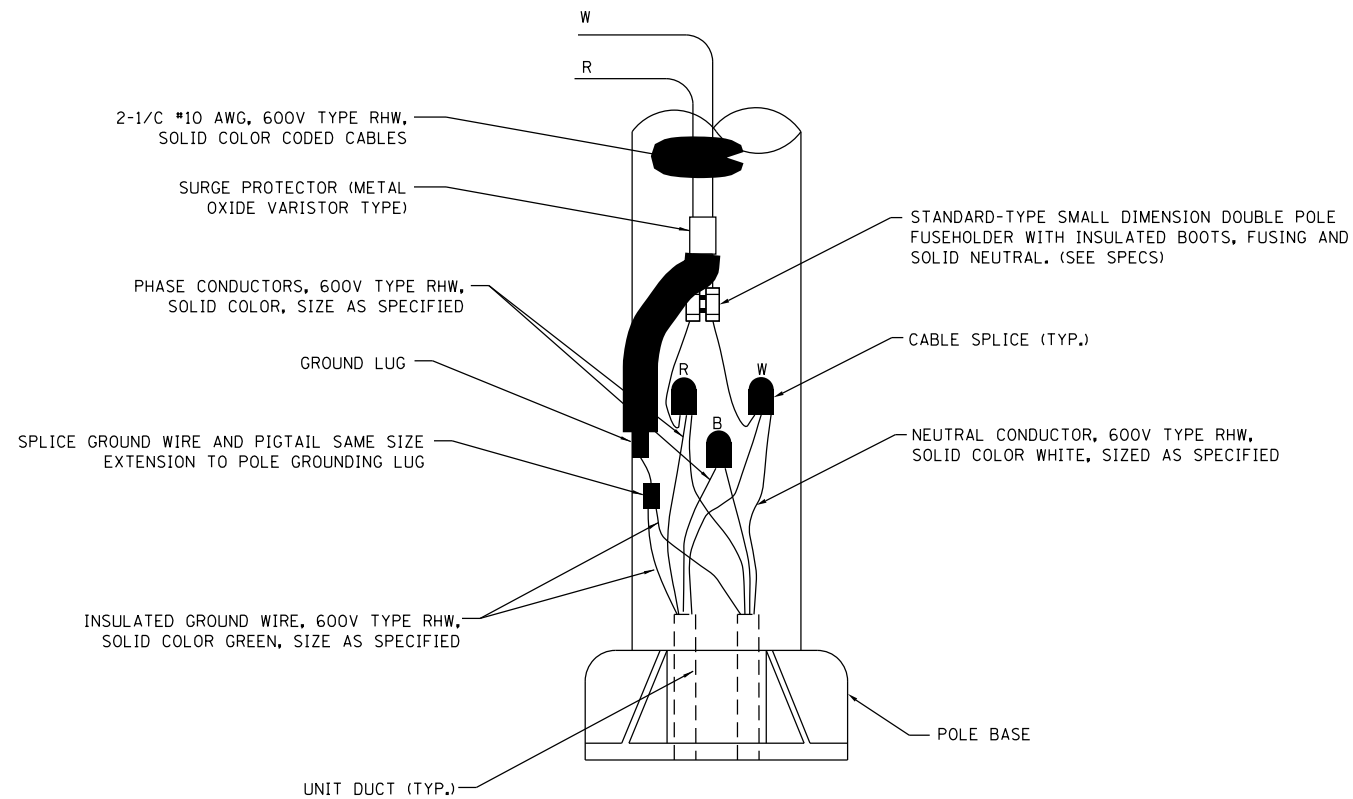
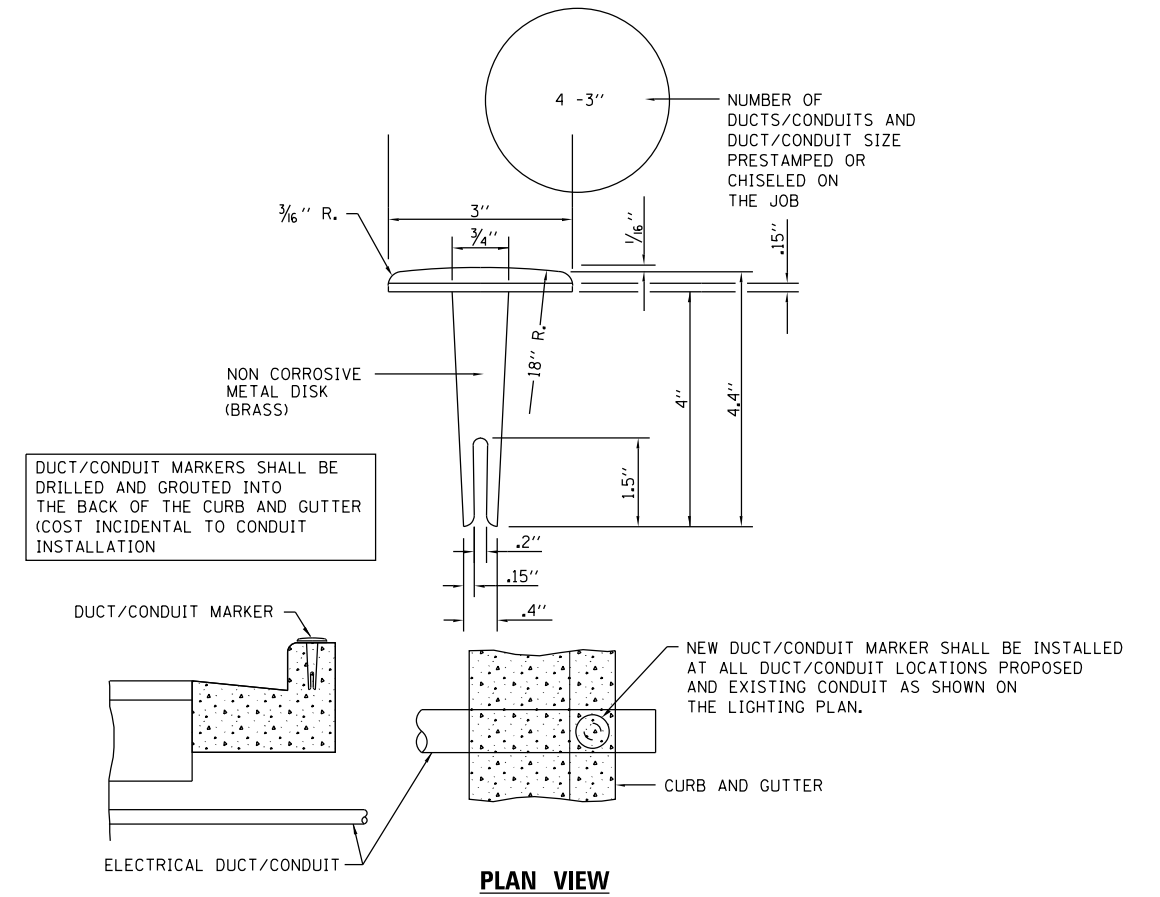


POLE SPLICE DETAIL
NOT TO SCALE



POLE WIRING DETAIL
NOT TO SCALE



PLAN VIEW

DUCT MARKER DETAIL
NOT TO SCALE

FILE NAME = \$FILES	USER NAME = dossdd	DESIGNED - DJ	REVISED -
et:\pw\work\p\dot\dossdd\0329565\0264750-sh-t-light-detail.s.dgn		DRAWN - DJ	REVISED -
PLOT SCALE =		CHECKED - RP	REVISED -
PLOT DATE = Mon Dec 17 16:29:54 2012		DATE - 11/14/2012	REVISED -

F.A.P. RTE.	SECTION	COUNTY	TOTAL SHEETS	SHEET NO.
303	41R	WINNEBAGO	327	239
CONTRACT NO. 64750				
FED. ROAD DIST. NO. 2 ILLINOIS FED. AID PROJECT				