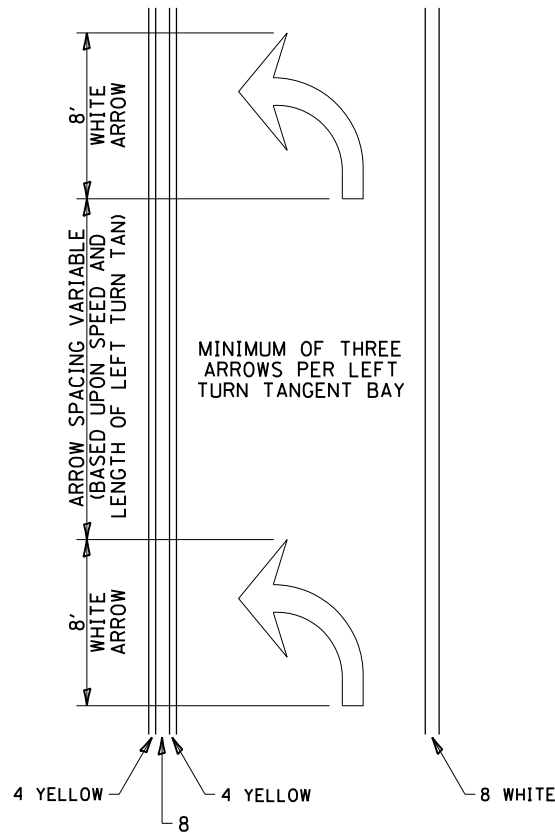


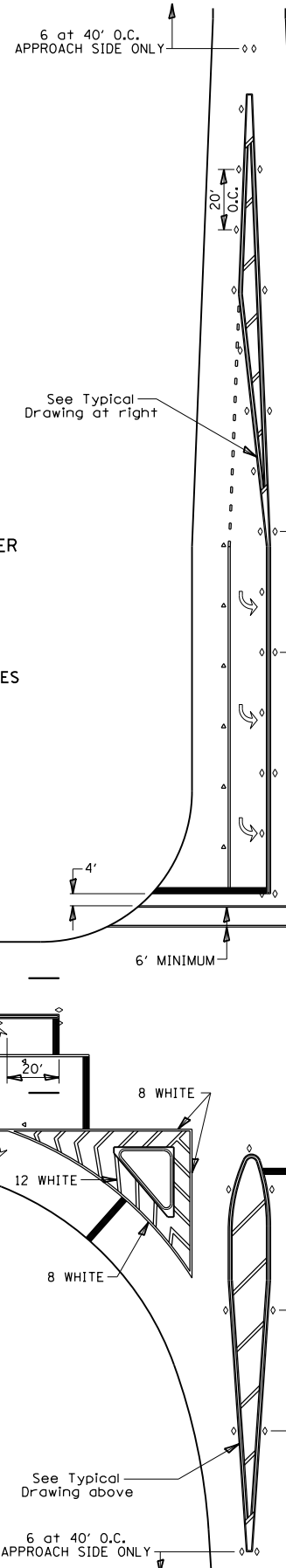
# TYPICAL PAVEMENT MARKINGS

## ARROW LAYOUT

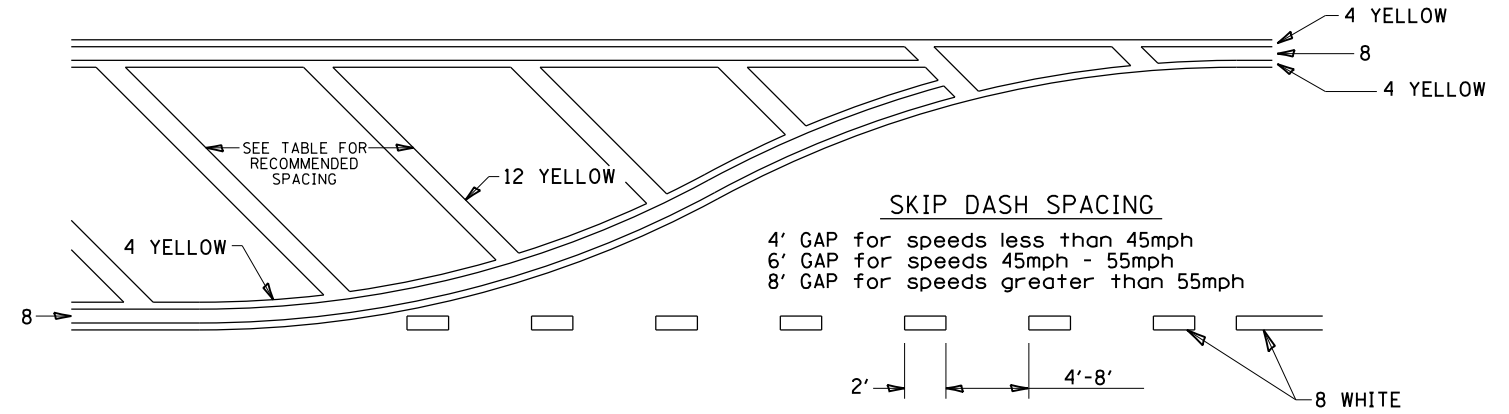


- ◁ ONE-WAY AMBER MARKER
- ◁ ONE-WAY CRYSTAL MARKER
- ◇ TWO-WAY AMBER MARKER

ALL DIMENSIONS ARE IN INCHES UNLESS OTHERWISE NOTED.



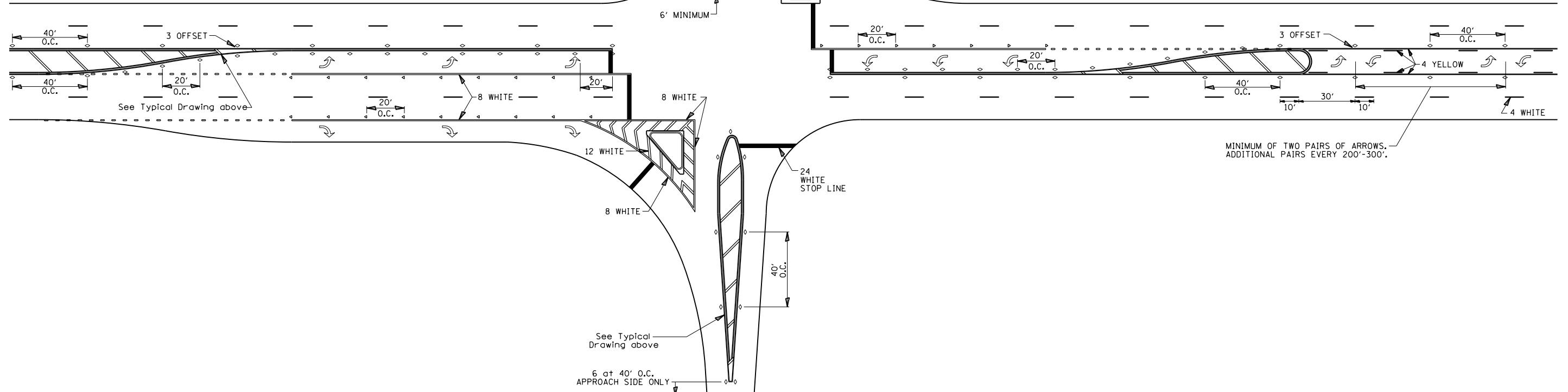
## TYPICAL PAVEMENT MARKING FOR FLUSH MEDIAN



### RECOMMENDED SPACING BETWEEN DIAGONALS (IN FEET)

Speed Limit Range	Continuous Median Area	Intersection Channelization	Objects (Islands)
less than 30MPH	50'	15'	10'
30-40MPH	75'	20'	15'
45MPH & over	75'	30'	20'

NOTE: if the spacing recommended in the Table does not permit at least five diagonal lines in the area being marked, the spacing from the next lowest speed range should be used. The recommended spacing is measured parallel to the pavement center line.



FILE NAME =	USER NAME = dosddd	DESIGNED -	REVISED - 3-5-12	<b>STATE OF ILLINOIS DEPARTMENT OF TRANSPORTATION</b>	<b>REGION 2 / DISTRICT 2 STANDARD</b>		F.A.P. RTE.	SECTION	COUNTY	TOTAL SHEETS	SHEET NO.	
et:\pw\work\p\dot\dosddd\dms67949\0264750-sh-t-detai-ls-1pgs311-327.dgn		DRAWN -	REVISED -		SCALE: _____	SHEET NO. _____ OF _____ SHEETS	STA. _____ TO STA. _____	303	41R	WINNEBAGO	327	319
		CHECKED -	REVISED -					CONTRACT NO. 64750				
		DATE -	REVISED -					FED. ROAD DIST. NO. 2 ILLINOIS FED. AID PROJECT				