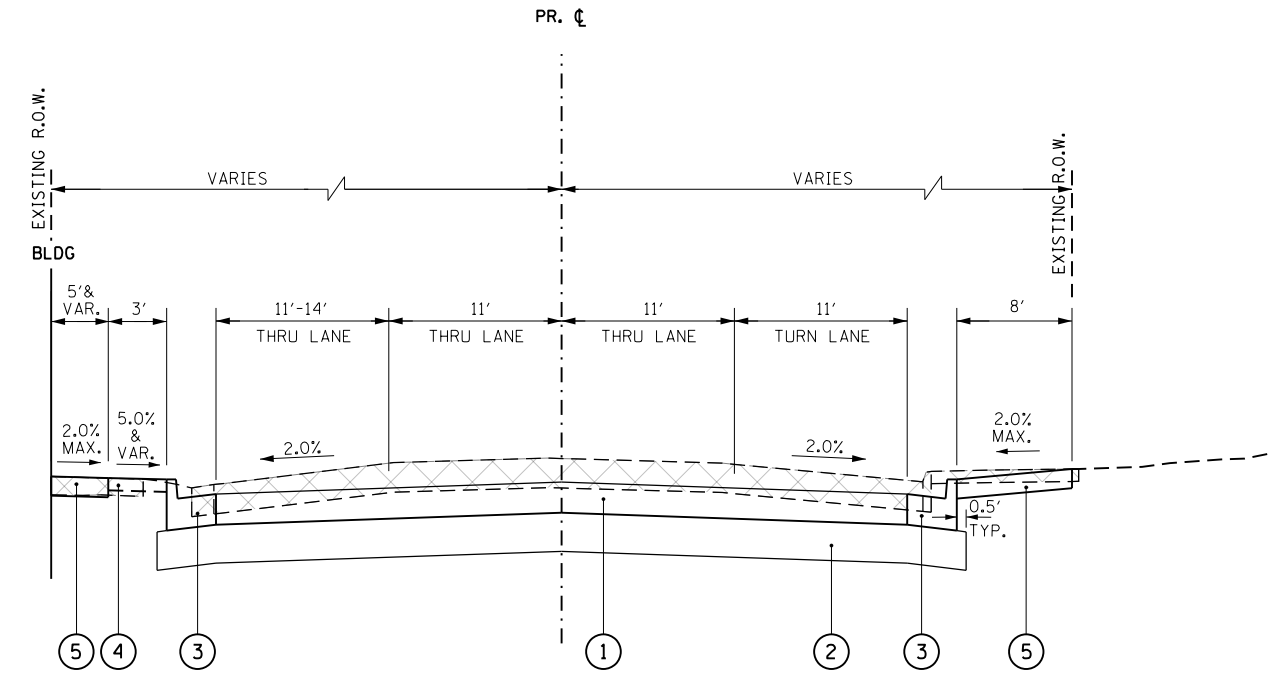


PROPOSED TYPICAL SECTION - MILL ST.
STA 210+00 TO STA 210+55



PROPOSED TYPICAL SECTION - CEDAR ST. (WEST LEG)
STA 226+85 TO STA 230+00

LEGEND

- ① PORTLAND CEMENT CONCRETE PAVEMENT, 9 1/2" (JOINTED)
- ② AGGREGATE SUBGRADE IMPROVEMENT 12"
- ③ COMBINATION CONCRETE CURB AND GUTTER, TYPE B-6.24
- ④ TOPSOIL FURNISH AND PLACE, 6"
- ⑤ PORTLAND CEMENT CONCRETE SIDEWALK, 5"
- ⑥ EXISTING BIKE PATH
- ⑦ COMBINATION CONCRETE CURB AND GUTTER, TYPE B-6.12
- ⑧ TOPSOIL FURNISH AND PLACE, SPECIAL
- ⑨ EXISTING BRICK WALL
- ⑩ EXISTING ORNAMENTAL FENCE
- ⑪ 1 1/2" HMA SURFACE COURSE MIX "C", N50
- ⑫ AGGREGATE SUBGRADE IMPROVEMENT
- ⑬ SEGMENTAL CONCRETE BLOCK WALL
- ⑭ CONCRETE MEDIAN SURFACE, 4 INCH
- ⑮ CORRUGATED MEDIAN
- ⑯ AGGREGATE SUBGRADE IMPROVEMENT 18"
- ⑰ PORTLAND CEMENT CONCRETE BASE COURSE WIDENING 10"
- ⑱ AGGREGATE SUBGRADE IMPROVEMENT 24"
- ⑲ AGGREGATE FILL
- ⑳ 2" HOT-MIX ASPHALT SURFACE COURSE IL-9.5FG N50
- ㉑ AGGREGATE BASE COURSE, TYPE B, 8"
- ㉒ COMBINATION CONCRETE CURB AND GUTTER, TYPE B-6.18
- ㉓ PIPE UNDERDRAINS 6"
- ㉔ 2" INCIDENTAL HOT-MIX ASPHALT SURFACING
- ㉕ HOT-MIX ASPHALT SURFACE REMOVAL, 2 1/2"
- ㉖ 1" LEVELING BINDER (MACHINE METHOD), N50

NOTE:
HMA MIXTURE APPLICATION RATE = 112 LBS/SQ YD/IN

* GUTTER FLAG REVERSE PITCHED TO 2% AWAY FROM MEDIAN

FILE NAME = *FILEL*	USER NAME = *USER*	DESIGNED -	REVISED -	STATE OF ILLINOIS DEPARTMENT OF TRANSPORTATION	PROPOSED TYPICAL SECTIONS			F.A.P. RTE.	SECTION	COUNTY	TOTAL SHEETS	SHEET NO.
		DRAWN -	REVISED -		742	(32, 33) R-1	WINNEBAGO	705	38			
		CHECKED -	REVISED -		CONTRACT NO. 64821							
		DATE -	REVISED -		SCALE:	SHEET NO. 18 OF 20 SHEETS	STA.	TO STA.	ILLINOIS FED. AID PROJECT			