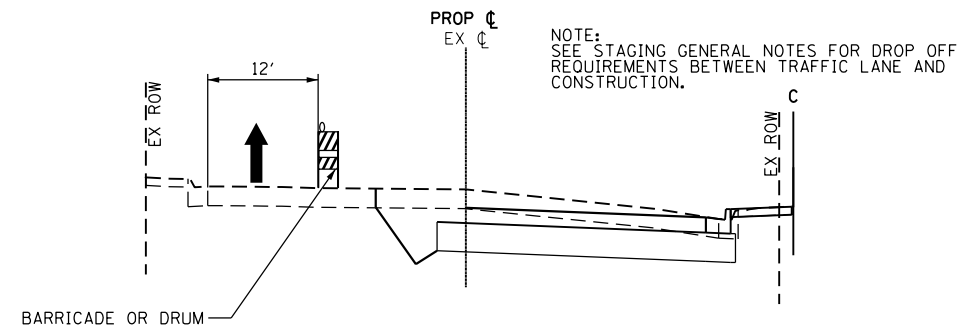
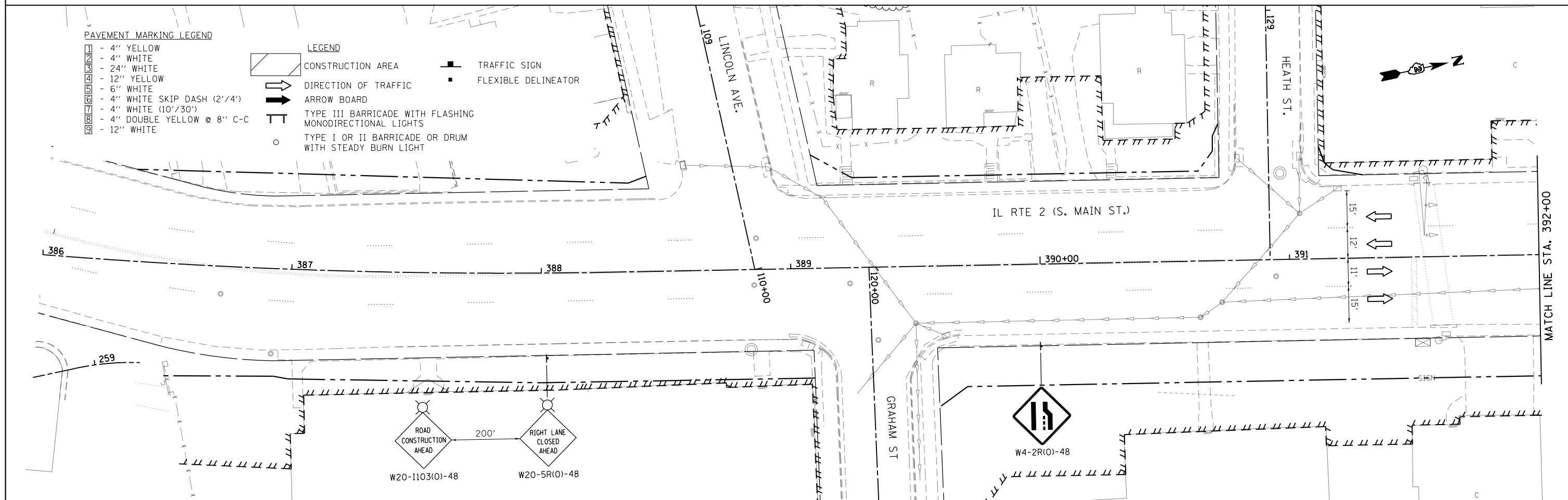


2013 STAGE 1 TYPICAL SECTION
STA 397+00 TO STA 402+50



2013 STAGE 1 TYPICAL SECTION
STA 402+50 TO STA 436+13



PAVEMENT MARKING LEGEND

- 4" YELLOW
- 4" WHITE
- 24" WHITE
- 12" YELLOW
- 6" WHITE
- 4" WHITE SKIP DASH (2'/4')
- 4" WHITE (10'/30')
- 4" DOUBLE YELLOW @ 8" C-C
- 12" WHITE

LEGEND

- CONSTRUCTION AREA
- DIRECTION OF TRAFFIC
- ARROW BOARD
- TYPE III BARRICADE WITH FLASHING MONODIRECTIONAL LIGHTS
- TYPE I OR II BARRICADE OR DRUM WITH STEADY BURN LIGHT
- TRAFFIC SIGN
- FLEXIBLE DELINEATOR

FILE NAME =	USER NAME = \$USER*	DESIGNED -	REVISED -	STATE OF ILLINOIS DEPARTMENT OF TRANSPORTATION	MAINTENANCE OF TRAFFIC IL RTE 2 2013 STAGE 1			F.A.P. RTE.	SECTION	COUNTY	TOTAL SHEETS	SHEET NO.	
\$FILEL\$		DRAWN -	REVISED -		SCALE: 1" = 20'	SHEET NO.	OF	SHEETS	STA. 386+00 TO STA. 392+00	742	(32,33) R-1	WINNEBAGO	705 188
		CHECKED -	REVISED -							CONTRACT NO. 64821			
		DATE -	REVISED -							ILLINOIS FED. AID PROJECT			