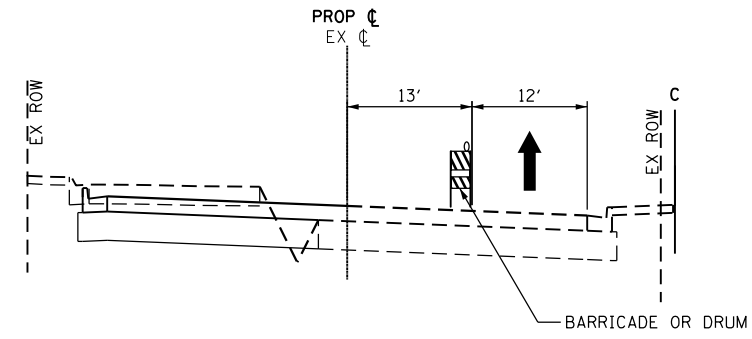


STA 397+00 TO STA 402+50



STA 402+50 TO STA 436+13

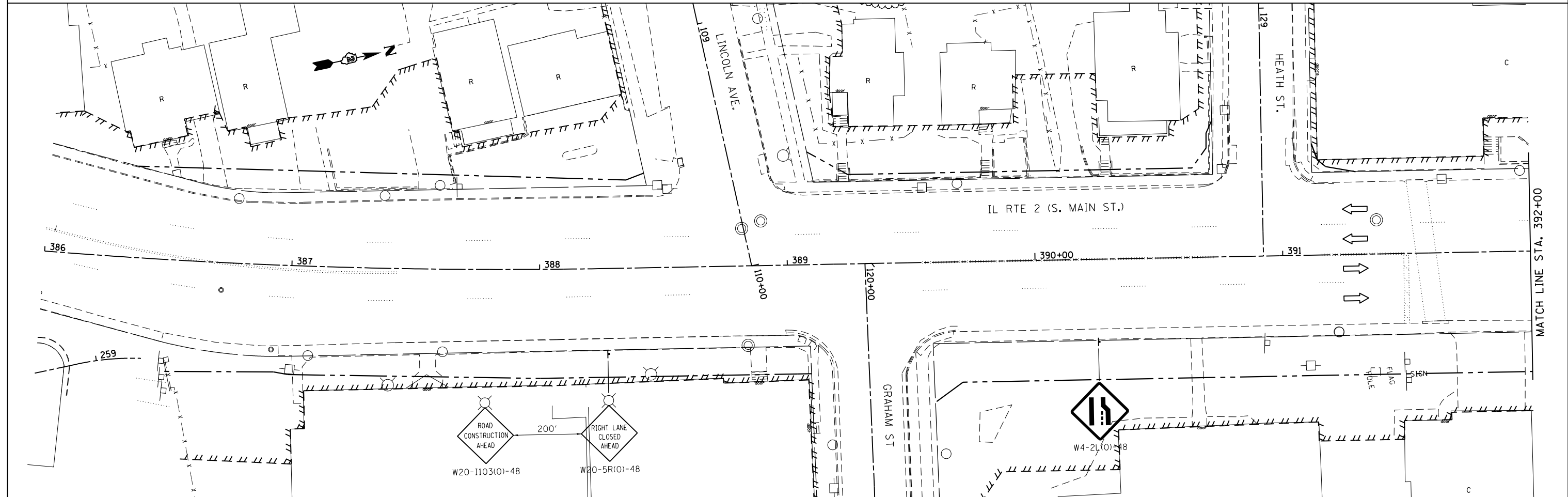
NOTE:
SEE STAGING GENERAL NOTES FOR DROP OFF
REQUIREMENTS BETWEEN TRAFFIC LANE AND
CONSTRUCTION.

PAVEMENT MARKING LEGEND

- 1 - 4" YELLOW
- 2 - 4" WHITE
- 3 - 24" WHITE
- 4 - 12" YELLOW
- 5 - 4" DOUBLE YELLOW @ 1' C-C
- 6 - 8" WHITE SKIP DASH (2'/4')
- 7 - 4" WHITE (10'/30')
- 8 - 4" DOUBLE YELLOW @ 8" C-C
- 9 - 12" WHITE
- 10 - 8" WHITE
- 11 - 8" WHITE SKIP DASH (2'/6')

LEGEND

- [Hatched Box] CONSTRUCTION AREA
- [Arrow] DIRECTION OF TRAFFIC
- [Arrow Board Symbol] ARROW BOARD
- [Barricade Symbol] TYPE III BARRICADE WITH FLASHING MONODIRECTIONAL LIGHTS
- [Barricade Symbol] TYPE I OR II BARRICADE OR DRUM WITH STEADY BURN LIGHT
- [Traffic Sign Symbol] TRAFFIC SIGN
- [Flexible Delineator Symbol] FLEXIBLE DELINEATOR



FILE NAME = *FILEL*	USER NAME = *USER*	DESIGNED -	REVISED -	STATE OF ILLINOIS DEPARTMENT OF TRANSPORTATION	MAINTENANCE OF TRAFFIC IL RTE 2 2013 STAGE 2			F.A.P. RTE.	SECTION	COUNTY	TOTAL SHEETS	SHEET NO.
	PLOT SCALE = *SCALE*	DRAWN -	REVISED -		742	(32,33) R-1	WINNEBAGO	705	200			
	PLOT DATE = *DATE*	CHECKED -	REVISED -		SCALE: 1" = 20' SHEET NO. OF SHEETS STA. 386+00 TO STA. 392+00			CONTRACT NO. 64821				
		DATE -	REVISED -		ILLINOIS FED. AID PROJECT							