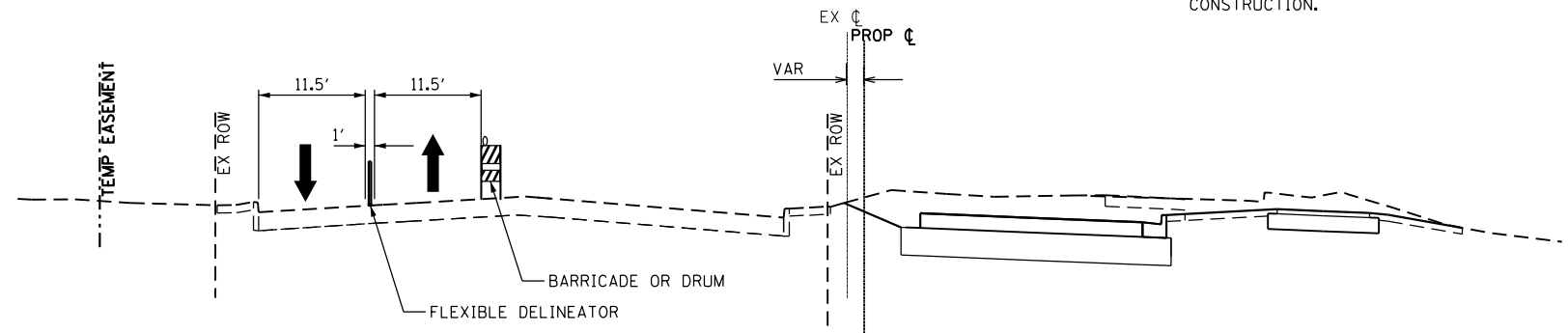


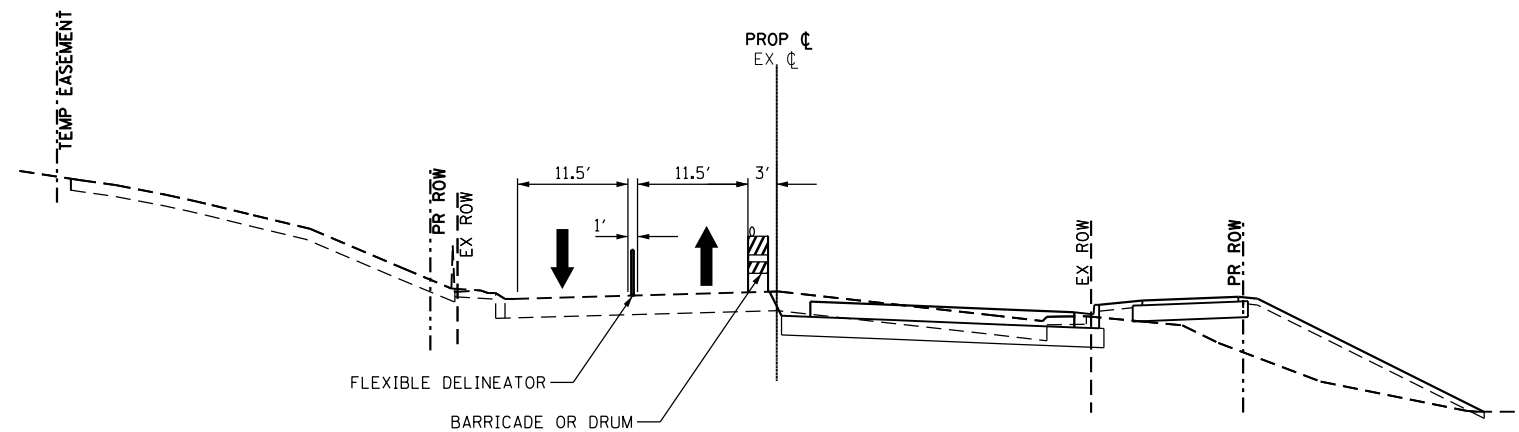
STA 349+89 TO STA 370+00

NOTE:  
SEE STAGING GENERAL NOTES FOR DROP OFF  
REQUIREMENTS BETWEEN TRAFFIC LANE AND  
CONSTRUCTION.



STA 370+00 TO STA 385+00

NOTE:  
SEE STAGING GENERAL NOTES FOR DROP OFF  
REQUIREMENTS BETWEEN TRAFFIC LANE AND  
CONSTRUCTION.



STA 385+00 TO STA 397+50

NOTE:  
SEE STAGING GENERAL NOTES FOR DROP OFF  
REQUIREMENTS BETWEEN TRAFFIC LANE AND  
CONSTRUCTION.

FILE NAME =	USER NAME = \$USER*	DESIGNED -	REVISED -
\$FILEL\$		DRAWN -	REVISED -
	PLOT SCALE = \$SCALE*	CHECKED -	REVISED -
	PLOT DATE = \$DATE*	DATE -	REVISED -

STATE OF ILLINOIS  
DEPARTMENT OF TRANSPORTATION

MAINTENANCE OF TRAFFIC  
2014 STAGE 1 GENERAL NOTES

SCALE: SHEET NO. OF SHEETS STA. TO STA.

F.A.P. RTE.	SECTION	COUNTY	TOTAL SHEETS	SHEET NO.
742	(32, 33) R-1	WINNEBAGO	705	229
CONTRACT NO. 64821				
ILLINOIS FED. AID PROJECT				