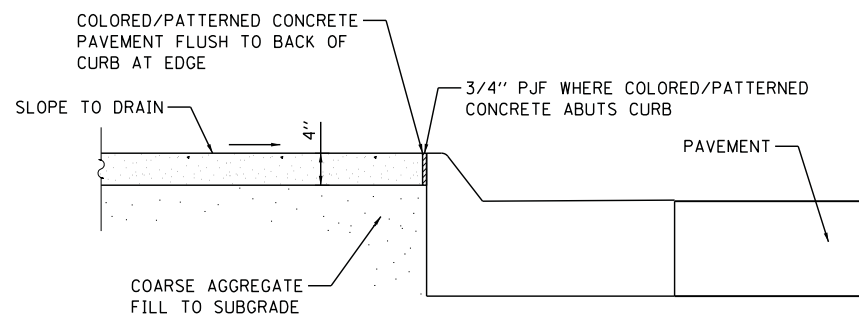


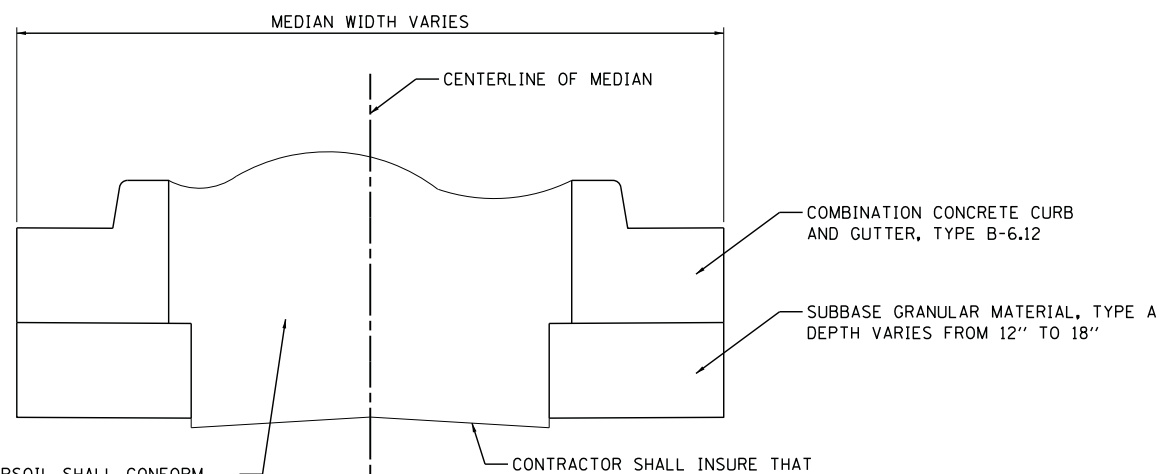
COLORED / PATTERNED ACCENT STRIP DETAIL

N.T.S.



ISLAND - COLORED SURFACE DETAIL

N.T.S.

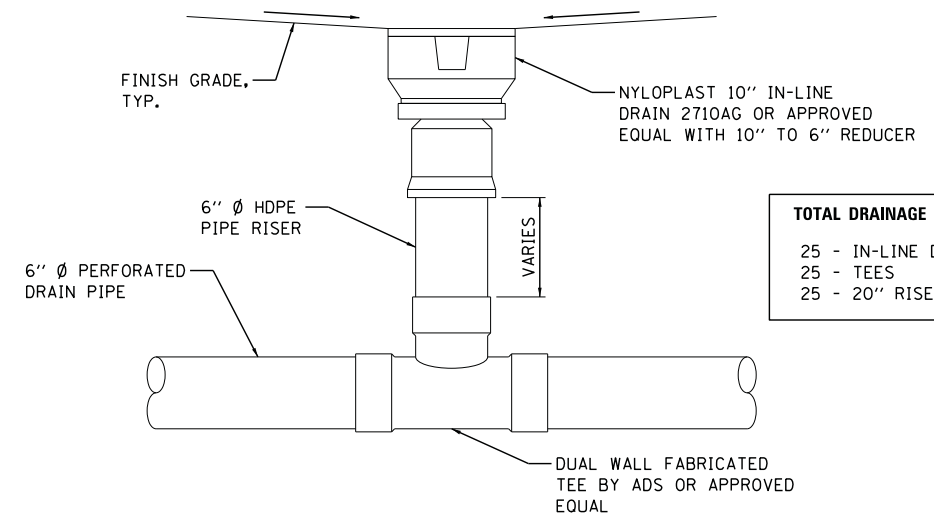


TOPSOIL FURNISH AND PLACE AT 27" DEPTH. TOPSOIL SHALL CONFORM TO IDOT SPECIFICATIONS, ARTICLE 211 AND WILL BE FREE FROM CLODS, STONES, GRANULAR SUBBASE MATERIAL, STICKS AND DEBRIS OF ANY KIND. ORGANIC CONTENT OF THE TOPSOIL SHALL NOT BE LESS THAN 2% OR MORE THAN 20%.

CONTRACTOR SHALL INSURE THAT EXISTING SOIL SUBGRADE IS FREE OF STONE, CONCRETE AND CONSTRUCTION DEBRIS OF ANY KIND PRIOR TO TOPSOIL PLACEMENT WITHIN THE MEDIANS.

MEDIAN TOPSOIL PLACEMENT DETAIL

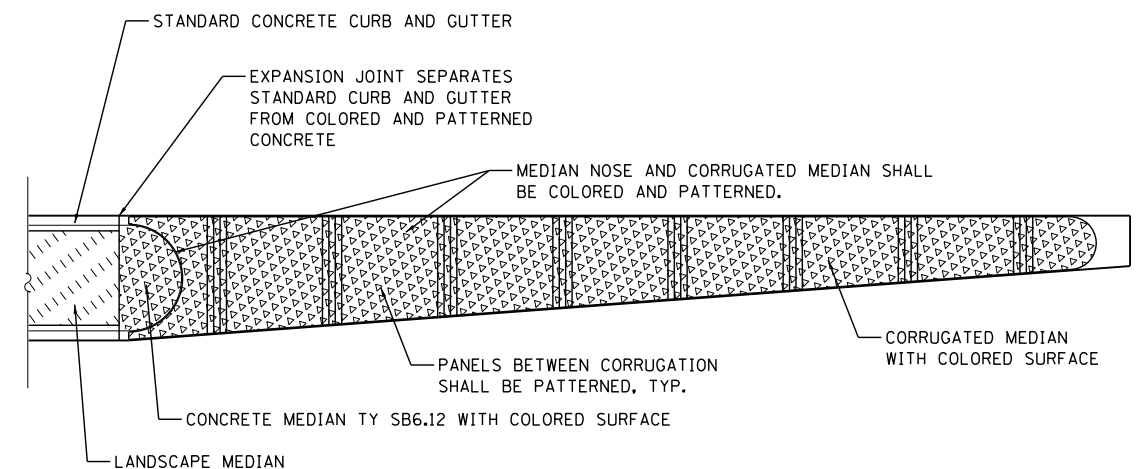
N.T.S.



TOTAL DRAINAGE SYSTEM QUANTITIES	
25	- IN-LINE DRAIN INLET
25	- TEES
25	- 20" RISERS

MEDIAN INLET, SPECIAL DETAIL

N.T.S.



CORRUGATED MEDIAN AND MEDIAN NOSE COLORED SURFACE DETAIL

N.T.S.

COMPANY NAME: HRGreen
 PROJECT CONTACT: Dave Reitz
 DATE PLOTTED: 11/19/2012 5:08:33 PM
 FILE NAME: 0264821-sh+hdccp-de-01.dgn
 PLOT DRIVER: pdf_bw_no_levelplotter
 PEN TABLE: standard-trans.tbl



USER NAME = whood	DESIGNED - DLR	REVISED -
	DRAWN - WJH	REVISED -
PLOT SCALE =	CHECKED - DVC	REVISED -
PLOT DATE = 11/19/2012	DATE - 11/19/2012	REVISED -

STATE OF ILLINOIS
 DEPARTMENT OF TRANSPORTATION

IL RTE 2 LANDSCAPE PLANS

SCALE: SHEET 21 OF 21 SHEETS STA. TO STA.

F.A.P. RTE.	SECTION	COUNTY	TOTAL SHEETS	SHEET NO.
742	(32, 33) R-1	WINNEBAGO	705	299
CONTRACT NO.				
ILLINOIS FED. AID PROJECT				