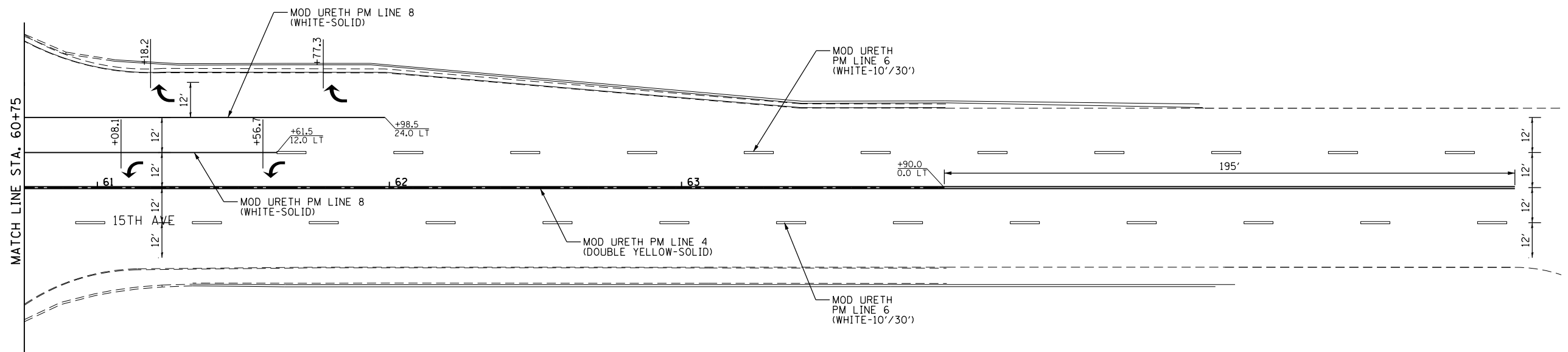
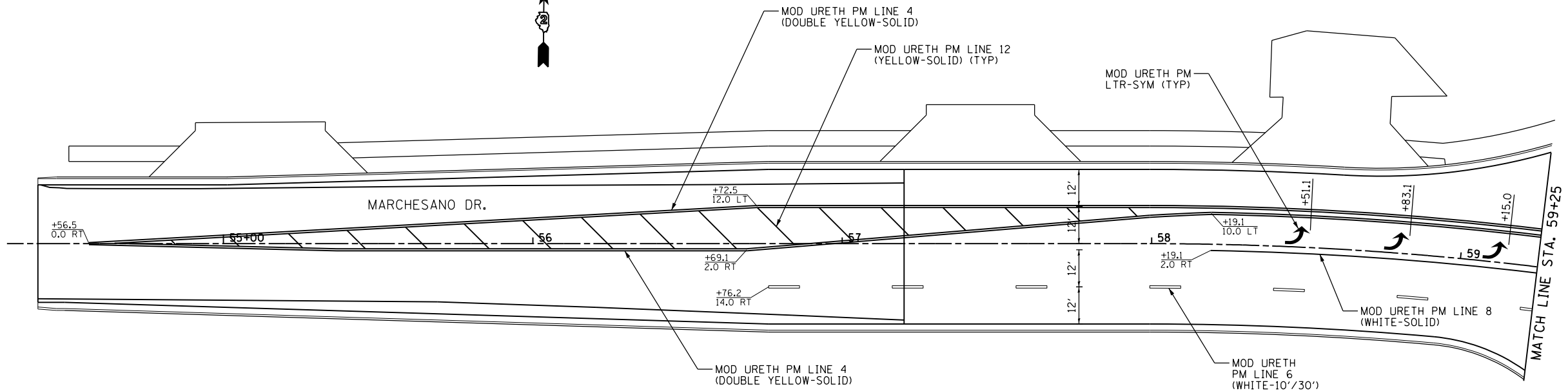


NOTE:
SEE STATE HIGHWAY STANDARD 780001, TYPICAL PAVEMENT MARKINGS, AND DISTRICT DETAIL 41.1, TYPICAL PAVEMENT MARKINGS, FOR ADDITIONAL PAVEMENT MARKING DETAILS.



FILE NAME = *FILEL*	USER NAME = *USER*	DESIGNED -	REVISED -	STATE OF ILLINOIS DEPARTMENT OF TRANSPORTATION	MARCHESANO DR./15TH AVE. PAVEMENT MARKING PLAN			F.A.P. RTE.	SECTION	COUNTY	TOTAL SHEETS	SHEET NO.
	PLOT SCALE = *SCALE*	CHECKED -	REVISED -					742	(32,33) R-1	WINNEBAGO	705	427
PLOT DATE = *DATE*	DATE -	REVISED -	REVISED -		SCALE: 1" = 20'	SHEET NO. 12 OF 15 SHEETS	STA. 54+30.00 TO STA. 65+85.00	CONTRACT NO. 64821				
							ILLINOIS FED. AID PROJECT					