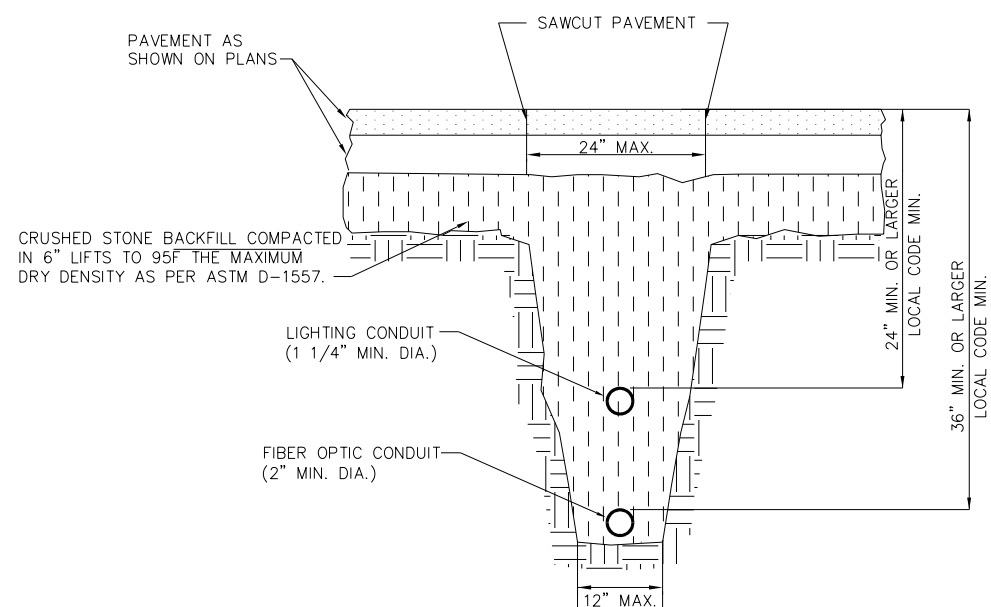
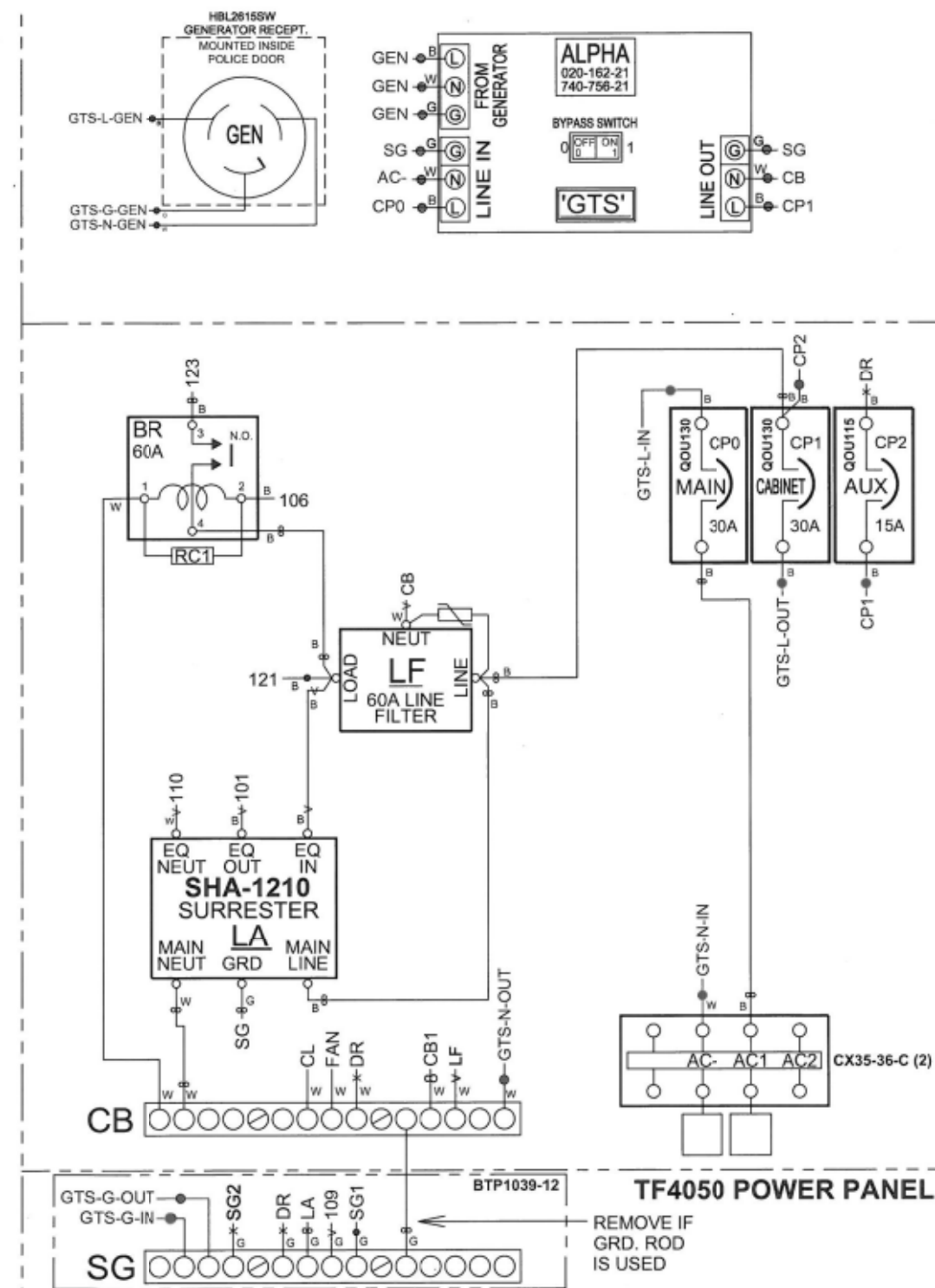


**FIBER OPTIC HANDHOLE**  
N.T.S.



**FIBER OPTICS AND STREET LIGHTING CONDUIT TRENCH**  
N.T.S.



**GENERATOR PANEL**  
N.T.S.

FILE NAME =	USER NAME = *USER*	DESIGNED -	REVISED -
*FILEL*		DRAWN -	REVISED -
	PLOT SCALE = *SCALE*	CHECKED -	REVISED -
	PLOT DATE = *DATE*	DATE -	REVISED -

STATE OF ILLINOIS  
DEPARTMENT OF TRANSPORTATION

TRAFFIC SIGNALS - DETAILS

SCALE: NTS SHEET NO. 4 OF 24 SHEETS STA. TO STA.

F.A.P. RTE.	SECTION	COUNTY	TOTAL SHEETS	SHEET NO.
742	(32, 33) R-1	WINNEBAGO	705	434
			CONTRACT NO. 64821	
ILLINOIS FED. AID PROJECT				