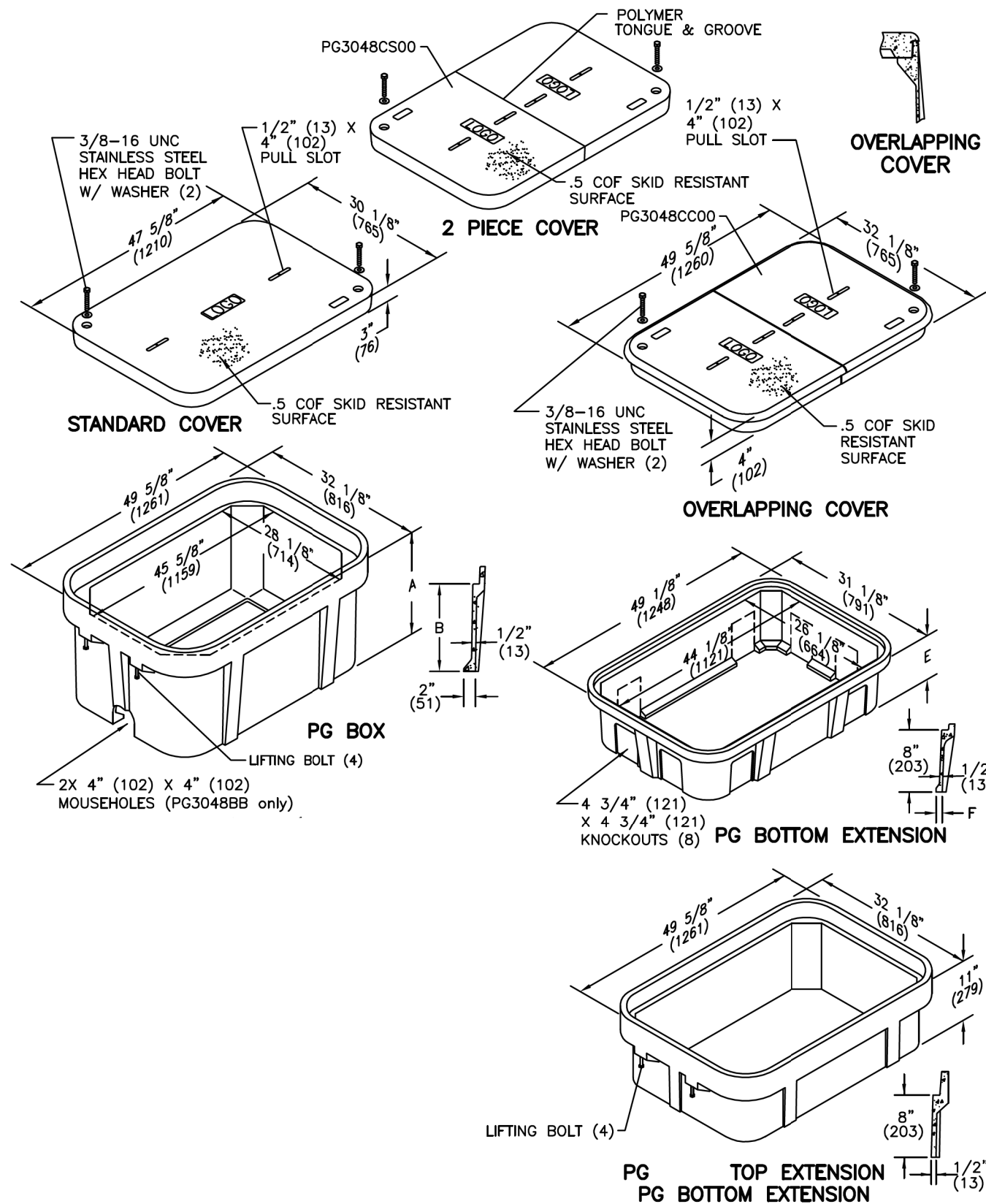


SPECIFICATIONS/DATA

30" x 48" PG Style (Stackable) Assembly



SPECIFICATIONS/DATA

30" x 48" PG Style (Stackable) Assembly

Covers (Blank unless logo is specified)

| DESCRIPTION | PART NO. | WEIGHT # | DESIGN/TEST LOAD | ANSI TIER* |
|--------------------------------|------------|----------------|------------------|------------|
| W/2 Bolts | PG3048CA00 | 159 (72.1 kg) | 8,000 / 12,000 | 8 |
| Gasketed w/2 Bolts | PG3048CG00 | 159 (72.1 kg) | 8,000 / 12,000 | 8 |
| No Bolts | PG3048WA00 | 159 (72.1 kg) | 8,000 / 12,000 | 8 |
| Heavy Duty w/2 Bolts | PG3048HA00 | 206 (93.4 kg) | 15,000 / 22,500 | 15 |
| Gasketed Heavy Duty w/2 Bolts | PG3048HG00 | 206 (93.4 kg) | 15,000 / 22,500 | 15 |
| Extra Heavy Duty w/2 Bolts | PG3048HA00 | 220 (99.7 kg) | 22,500 / 33,750 | 22 |
| 2-piece w/2 Bolts | PG3048CS00 | 181 (82.1 kg) | 8,000 / 12,000 | 8 |
| Heavy Duty 2-piece w/2 Bolts | PG3048HS00 | 206 (93.4 kg) | 15,000 / 22,500 | 15 |
| 2-piece Overlapping | PG3048CC00 | 248 (112.0 kg) | 8,000 / 12,000 | 8 |
| Heavy Duty 2-piece Overlapping | PG3048HC00 | 248 (112.0 kg) | 15,000 / 22,500 | 15 |

SEE NOTE 1

Gasketed covers and bolt grommets must be used with a gasketed box. Gaskets reduce the inflow of fluids but do not make the enclosure water tight.

PG BOXES (Stackable with self-aligning, replaceable EZ-Nut) *24" & 36" deep boxes must be used as bottom of any stack

| DESCRIPTION | PART NO. | WEIGHT # | DIMENSION A | DIMENSION B | DESIGN/TEST LOAD # | ANSI TIER* |
|-----------------------------|------------|----------------|------------------|--------------|--------------------|------------|
| Open Bottom | PG3048BA18 | 185 (83.9 kg) | 18" (457 mm) | 15" (381 mm) | 22,500 / 33,750 | 22 |
| | PG3048BA24 | 236 (107.0 kg) | 24" (609 mm) | 21" (533 mm) | 22,500 / 33,750 | 22 |
| | PG3048BA36 | 343 (155.6 kg) | 36" (914 mm) | 33" (838 mm) | 22,500 / 33,750 | 22 |
| Open Bottom w/ Gasket | PG3048BG18 | 185 (83.9 kg) | 18" (457 mm) | 15" (381 mm) | 22,500 / 33,750 | 22 |
| | PG3048BG24 | 236 (107.0 kg) | 24" (609 mm) | 21" (533 mm) | 22,500 / 33,750 | 22 |
| | PG3048BG36 | 343 (155.6 kg) | 36" (914 mm) | 33" (838 mm) | 22,500 / 33,750 | 22 |
| Open Bottom w/ 2 Mouseholes | PG3048BB18 | 185 (83.9 kg) | 18" (457 mm) | 15" (381 mm) | 22,500 / 33,750 | 22 |
| | PG3048BB24 | 236 (107.0 kg) | 24" (610 mm) | 21" (533 mm) | 22,500 / 33,750 | 22 |
| | PG3048BB36 | 343 (155.6 kg) | 36" (914 mm) | 33" (838 mm) | 22,500 / 33,750 | 22 |
| Solid Bottom | PG3048DA18 | 220 (99.8 kg) | 18 1/2" (470 mm) | 15" (381 mm) | 22,500 / 33,750 | 22 |
| | PG3048DA24 | 287 (130.2 kg) | 24 1/2" (622 mm) | 21" (533 mm) | 22,500 / 33,750 | 22 |
| | PG3048DA36 | 394 (178.7 kg) | 36 1/2" (927 mm) | 33" (838 mm) | 22,500 / 33,750 | 22 |
| Solid Bottom w/ Gasket | PG3048DG18 | 220 (99.8 kg) | 18 1/2" (470 mm) | 15" (381 mm) | 22,500 / 33,750 | 22 |
| | PG3048DG24 | 287 (130.2 kg) | 24 1/2" (622 mm) | 21" (533 mm) | 22,500 / 33,750 | 22 |
| | PG3048DG36 | 394 (178.7 kg) | 36 1/2" (927 mm) | 33" (838 mm) | 22,500 / 33,750 | 22 |

SEE NOTE 1

NOTE:

1. OR APPROVED EQUAL

Top Extension (For use on top of PG boxes of any depth)

| DESCRIPTION | PART NO. | WEIGHT # | DESIGN/TEST LOAD # | ANSI TIER* |
|--------------|------------|---------------|--------------------|------------|
| Open Bottom* | PG3048EA11 | 100 (45.4 kg) | 22,500 / 33,750 | 22 |

* In addition, this extension can be used as a bottom extension for 18" deep PG boxes.

Bottom Extensions (For use under 18" deep PG style box only, one per box)

| DESCRIPTION | PART NO. | WEIGHT # | DIMENSION E | DIMENSION F | DESIGN/TEST LOAD # | ANSI TIER* |
|--------------|------------|---------------|-----------------|-------------|--------------------|------------|
| Open Bottom | PG3048EA08 | 102 (46.3 kg) | 8 3/4" (222 mm) | 1" (25 mm) | 22,500 / 33,750 | 22 |
| Solid Bottom | PG3048RA08 | 151 (68.0 kg) | 9 1/4" (235 mm) | N/A | 22,500 / 33,750 | 22 |

Dimensions & weights in parentheses are metric equivalent.

* Loadings comply with ANSI/SCTE 77

HANDHOLES
30"X48" PG STYLE (STACKABLE) ASSEMBLY

DIRECTORY: L:\ROCKFORD\118004\Draw\CA00_Sheet\DR48Z_L.DWG
 USER NAME: Jansen Dove



| | | |
|--------------------------------------|-------------------|-----------|
| MODEL NAME = Default | DESIGNED - JWD | REVISED - |
| FILE NAME = D:\64821-eh\figh1521.dgn | DRAWN - JWD | REVISED - |
| PLOT SCALE = 40.0018 1/16" | CHECKED - AB | REVISED - |
| PLOT DATE = 11/20/2012 11:29:05 AM | DATE - 11/02/2012 | REVISED - |

STATE OF ILLINOIS
DEPARTMENT OF TRANSPORTATION

ROADWAY LIGHTING DETAIL
HANDHOLE, COMPOSITE CONCRETE, TYPE 2

SCALE: N/A SHEET 21 OF 32 SHEETS STA. TO STA.

| F.A.P. RTE. | SECTION | COUNTY | TOTAL SHEETS | SHEET NO. |
|--------------------|--------------|-----------|---------------------------|-----------|
| 742 | (32, 33) R-1 | WINNEBAGO | 705 | 507 |
| CONTRACT NO. 64821 | | | ILLINOIS FED. AID PROJECT | |