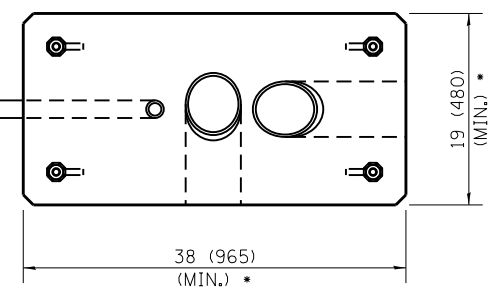


ELECTRIC SERVICE INSTALLATION

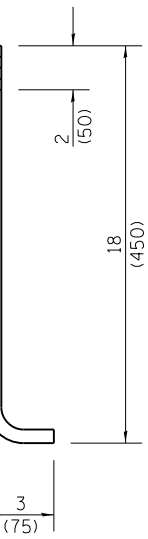
- SIZE LARGER AS NEEDED.
- OR AS DIRECTED BY UTILITY COMPANY.
- WHEN COLD SEQUENCING IS REQUIRED, PROVIDE A METER DISCONNECT SWITCH AS DIRECTED BY UTILITY COMPANY.

CONCRETE FOUNDATION.

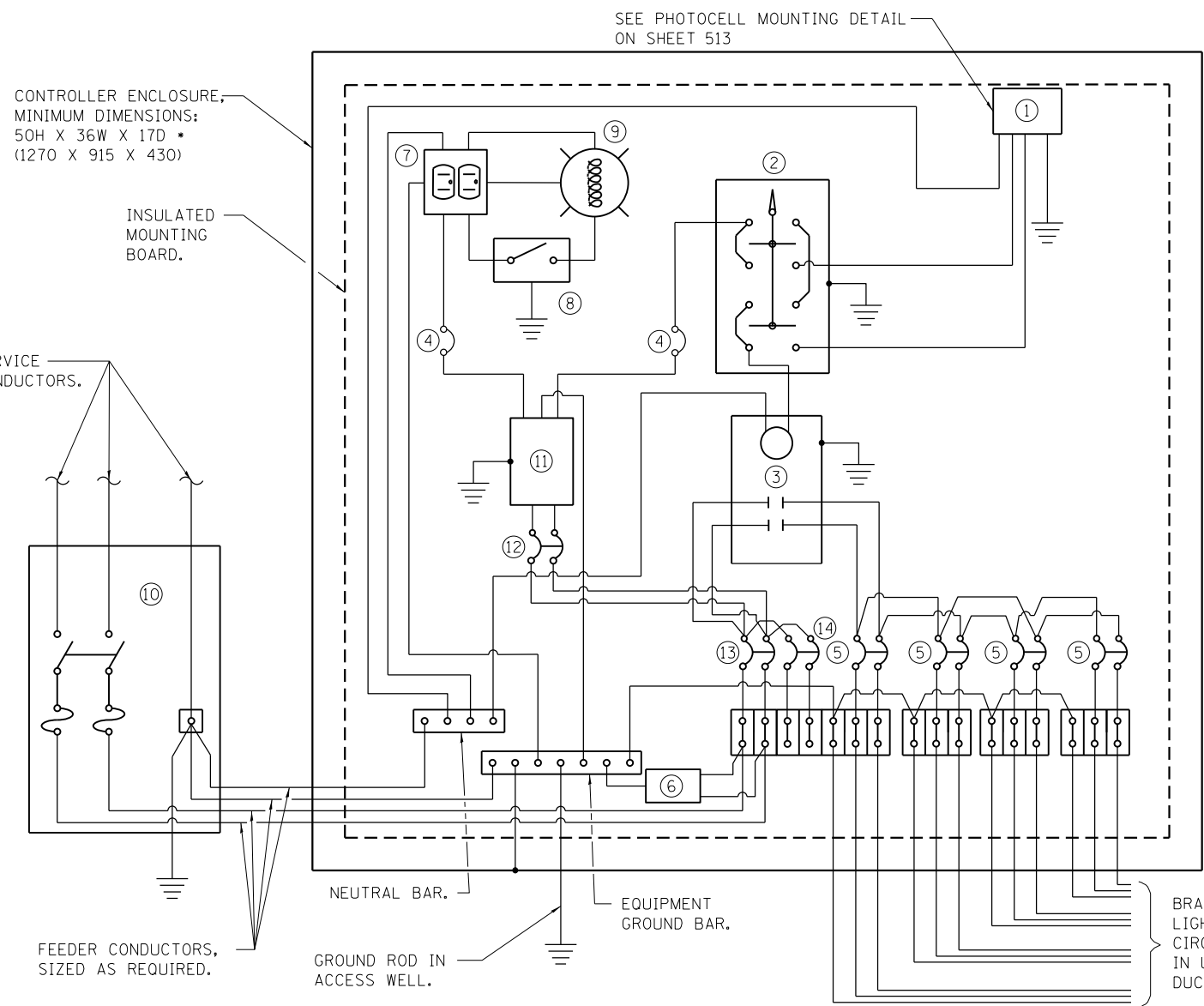
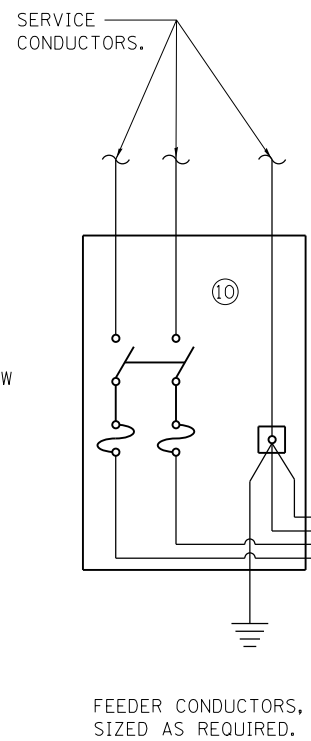
LIGHTING CONTROLLER



FOUNDATION (PLAN)
(WORK PAD NOT SHOWN.)



**ANCHOR ROD
DETAIL**



CONTROL SCHEMATIC

- ① PHOTOCELL WITH INTEGRAL SURGE ARRESTER.
- ② HAND-OFF-AUTO SELECTOR SWITCH.
- ③ 100 AMP*, ELECTRICALLY HELD CONTACTOR.
- ④ 15 AMP, 1-POLE CIRCUIT BREAKER.
- ⑤ 20 AMP*, 2-POLE CIRCUIT BREAKER (TWO SPARES REQUIRED BUT NOT SHOWN).
- ⑥ SURGE ARRESTER.
- ⑦ GFCI DUPLEX RECEPTACLE.
- ⑧ SINGLE-POLE, SINGLE-THROW SWITCH.
- ⑨ INCANDESCENT LUMINAIRE, ENCLOSED AND GASKETED WITH 100 WATT LAMP.
- ⑩ SERVICE DISCONNECT SWITCH - 2-POLE, 3-WIRE, 100 AMP*, FUSED AT 100 AMP*, SOLID NEUTRAL IN NEMA 4X ENCLOSURE HAVING LOCKABLE EXTERNAL HANDLE.
- ⑪ TRANSFORMER - 1KVA*, 480V PRIMARY, 120/240V SECONDARY, SINGLE-PHASE, 60HZ.
- ⑫ 15 AMP, 2-POLE CIRCUIT BREAKER.
- ⑬ 100 AMP*, 2-POLE CIRCUIT BREAKER.
- ⑭ 30 AMP, 2-POLE CIRCUIT BREAKER

* SIZE LARGER AS NEEDED.

**LIGHTING CONTROLLER
BASE MOUNTED, 480V**

ALL DIMENSIONS ARE IN INCHES (MILLIMETERS) UNLESS OTHERWISE SHOWN.

DIRECTORY = L:\ROCKFORD\1180\Draw\CAD\Sheet\DR482_L.DWG
 USER NAME = Jensen Dove



MODEL NAME = Default	DESIGNED - JWD	REVISED -
FILE NAME = D264821-sh-light528.dgn	DRAWN - JWD	REVISED -
PLOT SCALE = 48.0018 / in.	CHECKED - AB	REVISED -
PLOT DATE = 11/20/2012 - 11:29:37 AM	DATE - 11/02/2012	REVISED -

**STATE OF ILLINOIS
DEPARTMENT OF TRANSPORTATION**

ROADWAY LIGHTING DETAIL			
LIGHTING CONTROLLER BASE MOUNTED			
SCALE: N/A	SHEET 28	OF 32 SHEETS	STA. TO STA.

F.A.P. RTE. 742	SECTION (32, 33) R-1	COUNTY WINNEBAGO	TOTAL SHEETS 705	SHEET NO. 514
ILLINOIS FED. AID PROJECT			CONTRACT NO. 64821	