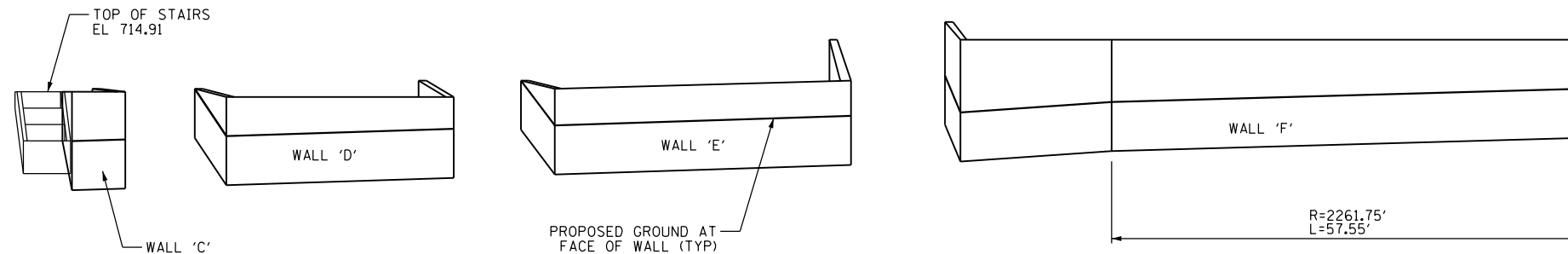
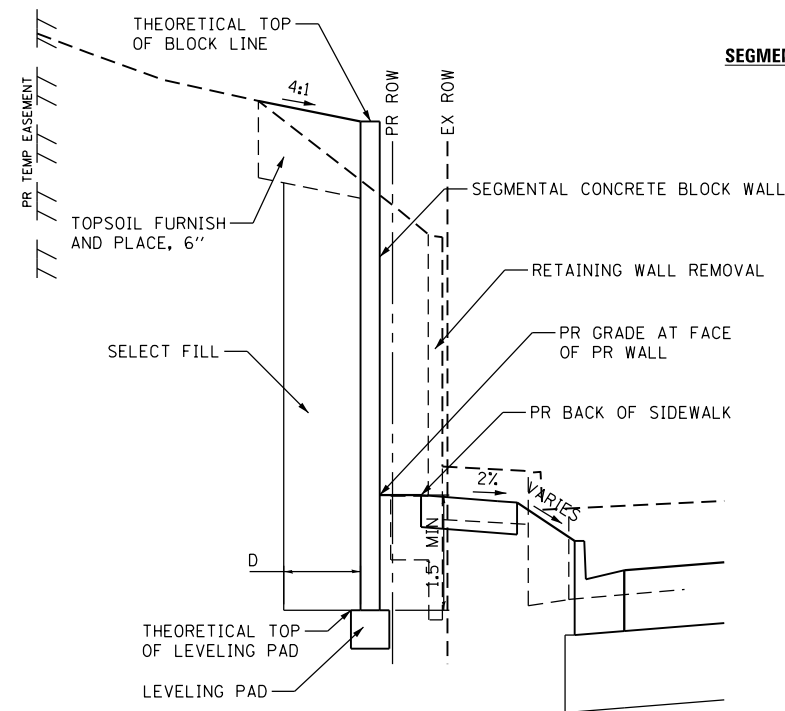


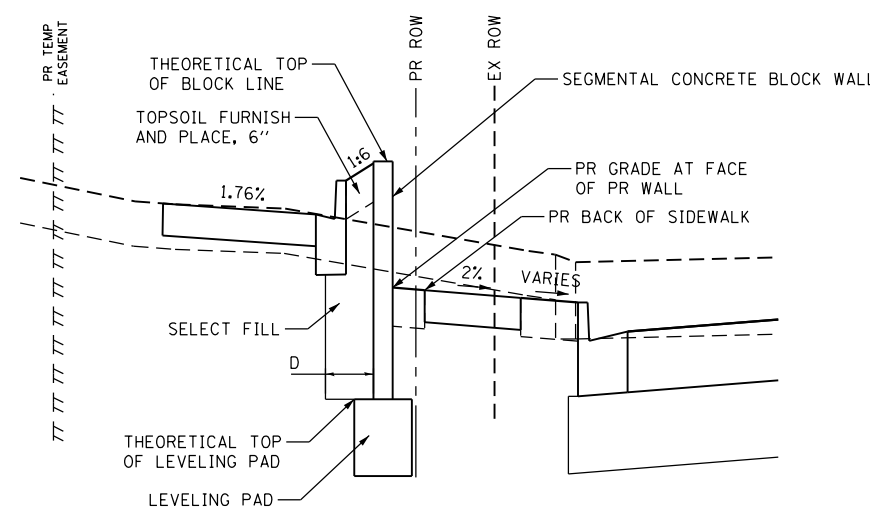
SEGMENTAL CONCRETE BLOCK WALL PLAN



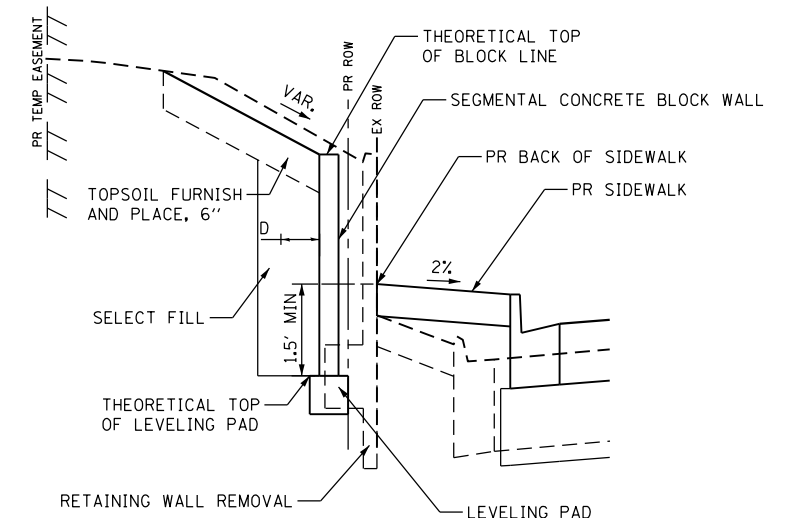
SEGMENTAL CONCRETE BLOCK WALL ELEVATION



**SEGMENTAL CONCRETE BLOCK WALL TYPICAL
(IL 2 WALL C, D, & E)**



**SEGMENTAL CONCRETE BLOCK WALL TYPICAL
(IL 2 WALL F)**



**SEGMENTAL CONCRETE BLOCK
WALL TYPICAL (IL 2)**

NOTES:

1. ALL STATIONS, OFFSETS, AND ELEVATIONS ARE GIVEN TO THE FRONT FACE OF THE PROPOSED SEGMENTAL CONCRETE BLOCK WALL.
2. SEE DISTRICT DETAIL 63.2, "PIPE HANDRAILS FOR STEPS", FOR DETAILS ON PIPE HANDRAILS.
3. SEE DISTRICT DETAIL 71.4, "DETAIL OF CONCRETE STEPS", FOR DETAILS ON CONCRETE STEPS.
4. SEE PLAT OF HIGHWAYS FOR EXISTING RIGHT-OF-WAY, PROPOSED RIGHT-OF-WAY AND TEMPORARY EASEMENTS.
5. THE PROPOSED STEPS SHALL MATCH EXISTING CONDITIONS. THE TOP OF STAIR ELEVATIONS SHALL BE VERIFIED PRIOR TO DESIGN OF THE SEGMENTAL CONCRETE BLOCK WALL.
6. IF THE WALL MANUFACTURER'S DESIGN REQUIRES PIPE UNDERDRAINS, THE PIPE UNDERDRAINS SHALL MEET THE MATERIAL AND CONSTRUCTION REQUIREMENTS OF GBSP "PIPE UNDERDRAINS FOR STRUCTURES." IF NEEDED THE PIPE UNDERDRAINS SHALL BE CONNECTED TO THE PROPOSED STORM SEWER. THE PIPE UNDERDRAINS SHALL NOT BE PAID FOR SEPARATELY, BUT SHALL BE INCLUDED IN THE CONTRACT UNIT PRICE FOR SEGMENTAL CONCRETE BLOCK WALL.
7. THE LIMITS OF SELECT BACKFILL HAVE BEEN SET THE FOLLOWING DISTANCE (D) BEHIND THE PROPOSED SEGMENTAL CONCRETE BLOCK WALL (0.70 X H) TO ESTABLISH EXCAVATION LIMITS. SEE THE SUPPLIERS SHOP DRAWINGS FOR ACTUAL EXCAVATION LIMITS FOR SELECT BACKFILL. EXCAVATION REQUIRED BEYOND THE LIMITS ESTABLISHED FOR THE SELECT BACKFILL BELOW, BY THE SUPPLIERS DESIGN, SHALL BE CONSIDERED OVER EXCAVATION AND SHALL NOT BE MEASURED FOR PAYMENT. THE COST OF EXCAVATION REQUIRED FOR WALL CONSTRUCTION SHALL BE INCLUDED IN THE CONTRACT UNIT PRICE FOR SEGMENTAL CONCRETE BLOCK WALL.
8. GEOSYNTHETIC REINFORCING, IF NEEDED, SHALL BE PER THE SUPPLIER'S DESIGN.
9. SEE SHEET 2 OF 2 FOR ADDITIONAL WALL ELEVATIONS.

FILE NAME =	USER NAME = #USER#	DESIGNED -	REVISED -	STATE OF ILLINOIS DEPARTMENT OF TRANSPORTATION	SEGMENTAL BLOCK WALL DETAIL IL 2 LT, FROM ISLAND AVE TO LINCOLN AVE	F.A.P. RTE.	SECTION	COUNTY	TOTAL SHEETS	SHEET NO.
#FILE#		DRAWN -	REVISED -			742	(32,33) R-1	WINNEBAGO	705	519
PLOT SCALE = #SCALE#		CHECKED -	REVISED -			CONTRACT NO. 64821				
PLOT DATE = #DATE#		DATE -	REVISED -			ILLINOIS FED. AID PROJECT				
					SCALE: NTS	SHEET NO. 1 OF 12 SHEETS	STA.	TO STA.		