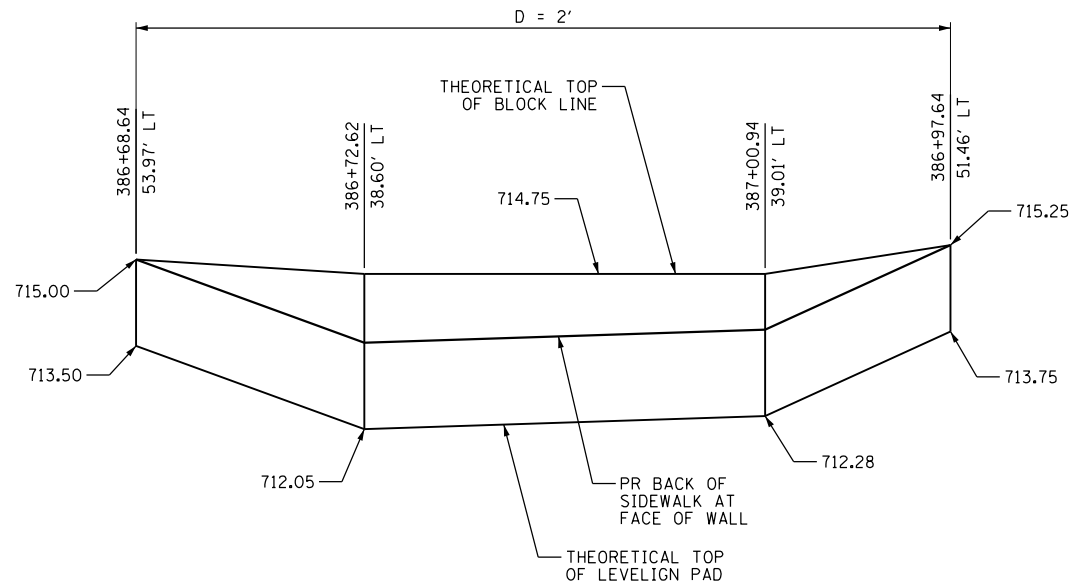
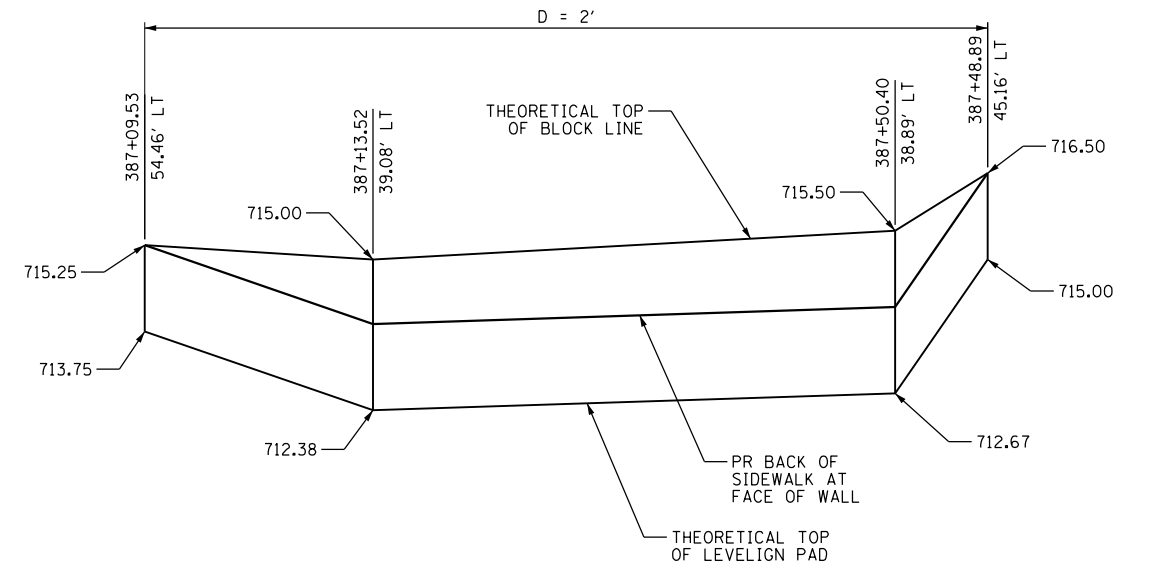


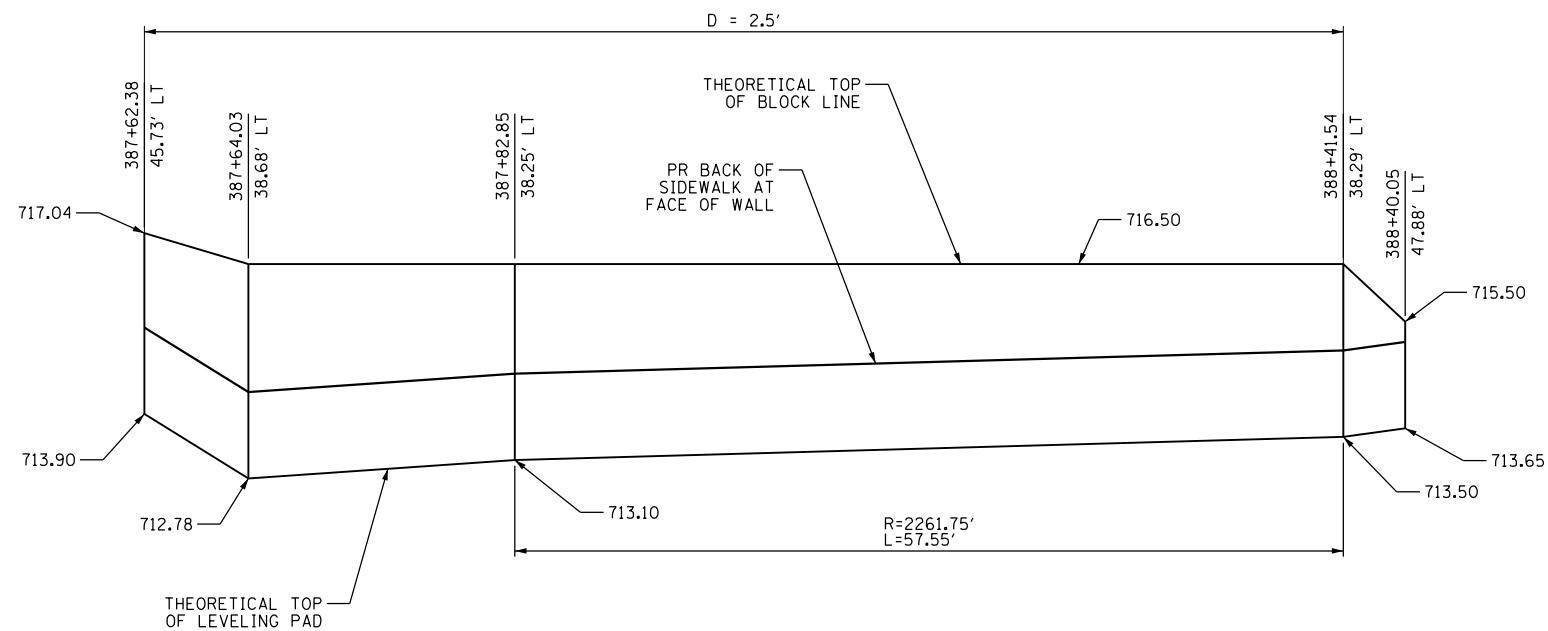
WALL 'C' ELEVATION
SEGMENTAL CONCRETE BLOCK WALL (58 SQ FT)



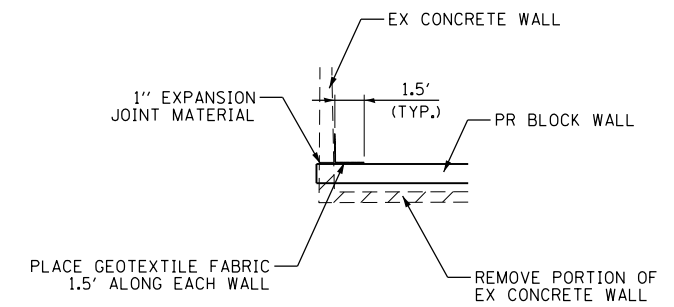
WALL 'D' ELEVATION
SEGMENTAL CONCRETE BLOCK WALL (131 SQ FT)



WALL 'E' ELEVATION
SEGMENTAL CONCRETE BLOCK WALL (145 SQ FT)



WALL 'F' ELEVATION
SEGMENTAL CONCRETE BLOCK WALL (285 SQ FT)



WALL INTERFACE DETAIL

FILE NAME =	USER NAME = #USER*	DESIGNED -	REVISED -	STATE OF ILLINOIS DEPARTMENT OF TRANSPORTATION	SEGMENTAL BLOCK WALL DETAIL IL 2 LT, FROM ISLAND AVE TO LINCOLN AVE	F.A.P. RTE.	SECTION	COUNTY	TOTAL SHEETS	SHEET NO.	
#FILEL*		DRAWN -	REVISED -			742	(32,33) R-1	WINNEBAGO	705	520	
	PLOT SCALE = #SCALE*	CHECKED -	REVISED -			CONTRACT NO. 64821					
	PLOT DATE = #DATE*	DATE -	REVISED -			ILLINOIS FED. AID PROJECT					
				SCALE: NTS	SHEET NO. 2 OF 12 SHEETS	STA.	TO STA.				