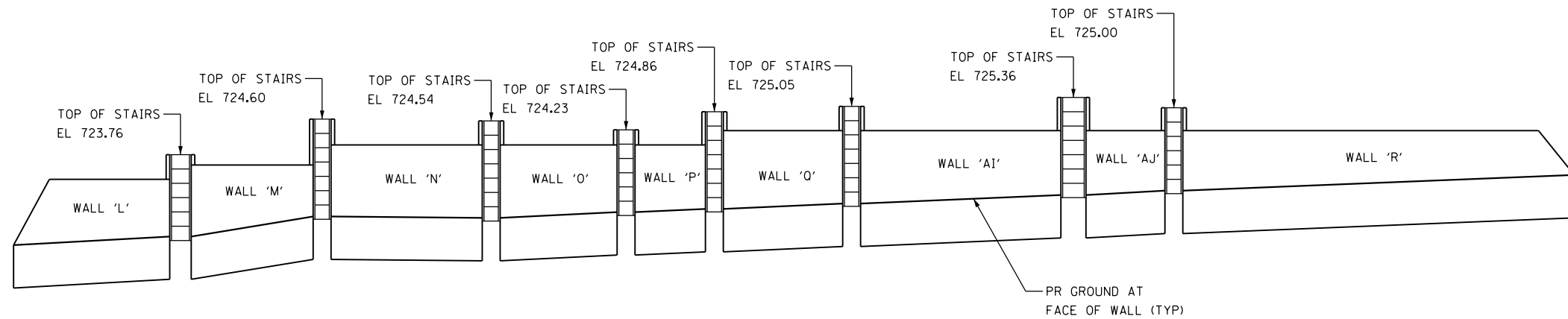


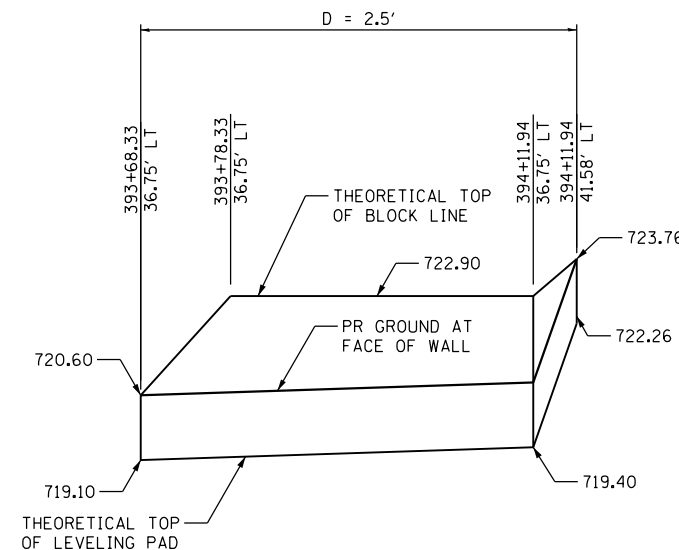
SEGMENTAL CONCRETE BLOCK WALL PLAN



SEGMENTAL CONCRETE BLOCK WALL ELEVATION

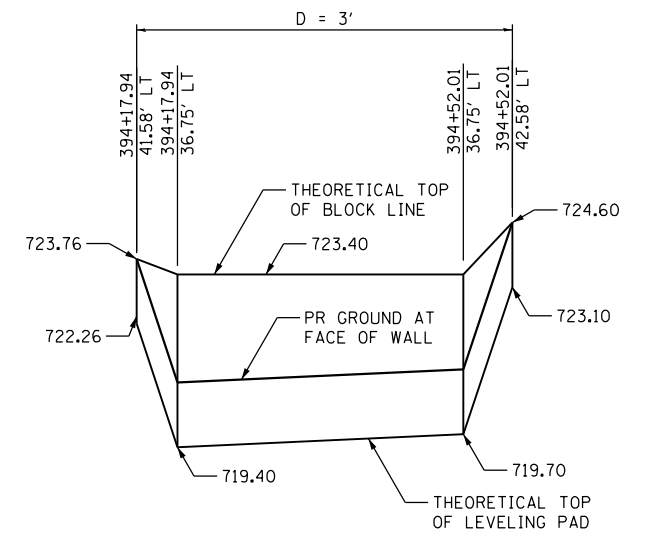
NOTES:

1. ALL STATIONS, OFFSETS AND ELEVATIONS ARE GIVEN TO THE FRONT FACE OF THE PROPOSED SEGMENTAL CONCRETE BLOCK WALL.
2. SEE DISTRICT DETAIL 63.2, "PIPE HANDRAILS FOR STEPS", FOR DETAILS ON PIPE HANDRAILS.
3. SEE DISTRICT DETAIL 71.4, "DETAIL OF CONCRETE STEPS", FOR DETAILS ON CONCRETE STEPS.
4. SEE PLAT OF HIGHWAYS FOR EXISTING RIGHT-OF-WAY, PROPOSED RIGHT-OF-WAY AND TEMPORARY EASEMENTS.
5. THE PROPOSED STEPS SHALL MATCH EXISTING CONDITIONS. THE TOP OF STAIR ELEVATIONS SHALL BE VERIFIED PRIOR TO DESIGN OF THE SEGMENTAL CONCRETE BLOCK WALL.
6. IF THE WALL MANUFACTURES DESIGN REQUIRES PIPE UNDERDRAINS, THE PIPE UNDERDRAINS SHALL MEET THE MATERIAL AND CONSTRUCTION REQUIREMENTS OF GBSP "PIPE UNDERDRAINS FOR STRUCTURES." IF NEEDED THE PIPE UNDERDRAINS SHALL BE CONNECTED TO THE PROPOSED STORM SEWER. THE PIPE UNDERDRAINS SHALL NOT BE PAID FOR SEPARATELY BUT SHALL BE INCLUDED IN THE CONTRACT UNIT PRICE FOR SEGMENTAL CONCRETE BLOCK WALL.
7. THE LIMITS OF SELECT BACKFILL HAVE BEEN SET THE FOLLOWING DISTANCE (D) BEHIND THE PROPOSED SEGMENTAL CONCRETE BLOCK WALL (0.70 X H) TO ESTABLISH EXCAVATION LIMITS. SEE THE SUPPLIERS SHOP DRAWINGS FOR ACTUAL EXCAVATION LIMITS FOR SELECT BACKFILL. EXCAVATION REQUIRED BEYOND THE LIMITS ESTABLISHED FOR THE SELECT BACKFILL BELOW, BY THE SUPPLIERS DESIGN SHALL BE CONSIDERED OVER EXCAVATION AND SHALL NOT BE MEASURED FOR PAYMENT. THE COST OF EXCAVATION REQUIRED FOR WALL CONSTRUCTION SHALL BE INCLUDED IN THE UNIT PRICE FOR SEGMENTAL CONCRETE BLOCK WALL.
8. GEOSYNTHETIC REINFORCING, IF NEEDED, SHALL BE PER THE SUPPLIER'S DESIGN.
9. SEE SHEET 2 OF 2 FOR ADDITIONAL WALL ELEVATIONS AND TYPICAL SECTION.



WALL 'L' ELEVATION

SEGMENTAL CONCRETE BLOCK WALL (160 SQ FT)



WALL 'M' ELEVATION

SEGMENTAL CONCRETE BLOCK WALL (160 SQ FT)

FILE NAME =	USER NAME = #USER#	DESIGNED -	REVISED -
#FILE#		DRAWN -	REVISED -
	PLOT SCALE = #SCALE#	CHECKED -	REVISED -
	PLOT DATE = #DATE#	DATE -	REVISED -

STATE OF ILLINOIS  
DEPARTMENT OF TRANSPORTATION

SEGMENTAL BLOCK WALL DETAIL  
IL 2 LT, FROM SALTER AVE TO KNOWLTON ST  
SCALE: NTS SHEET NO. 6 OF 12 SHEETS STA. TO STA.

F.A.P. RTE.	SECTION	COUNTY	TOTAL SHEETS	SHEET NO.
742	(32,33) R-1	WINNEBAGO	705	524
CONTRACT NO. 64821			ILLINOIS FED. AID PROJECT	