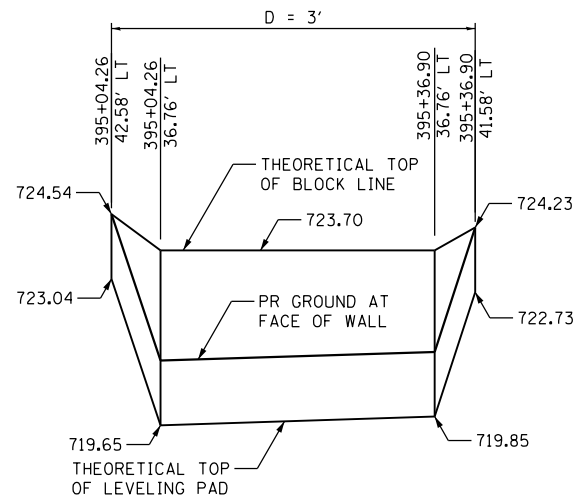
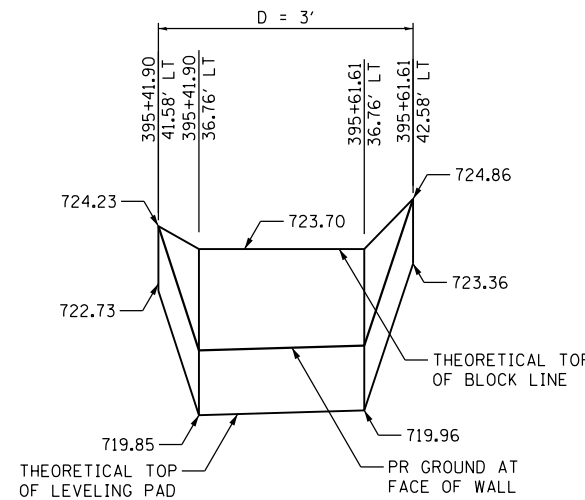


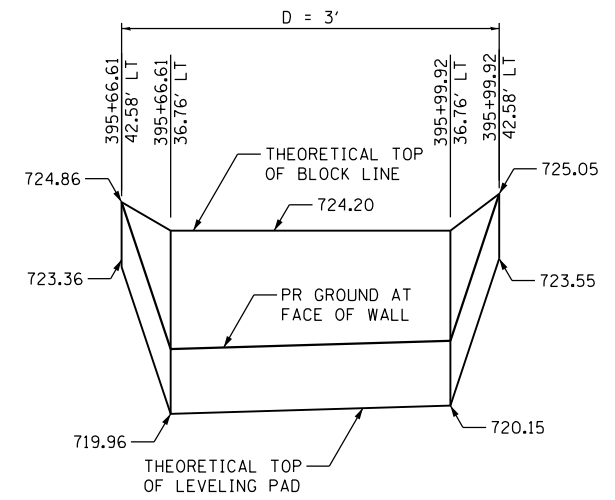
**WALL 'N' ELEVATION**  
SEGMENTAL CONCRETE BLOCK WALL (205 SQ FT)



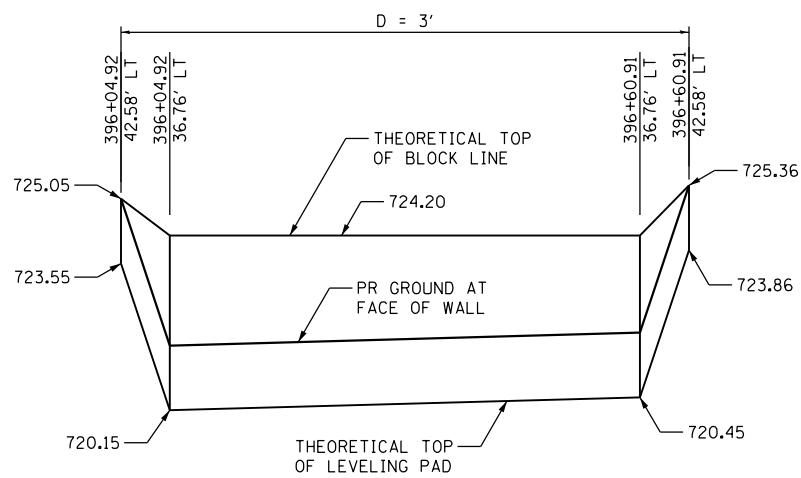
**WALL 'O' ELEVATION**  
SEGMENTAL CONCRETE BLOCK WALL (158 SQ FT)



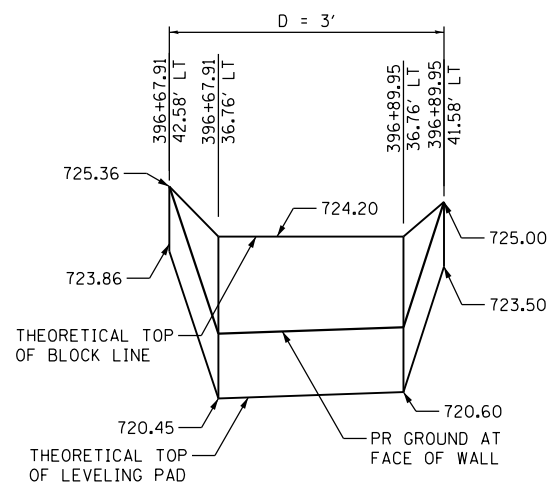
**WALL 'P' ELEVATION**  
SEGMENTAL CONCRETE BLOCK WALL (103 SQ FT)



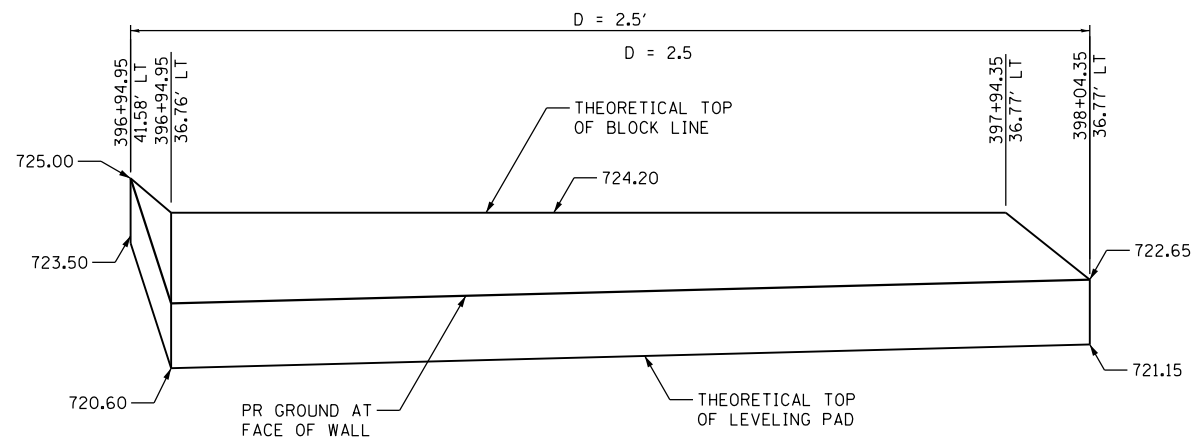
**WALL 'Q' ELEVATION**  
SEGMENTAL CONCRETE BLOCK WALL (171 SQ FT)



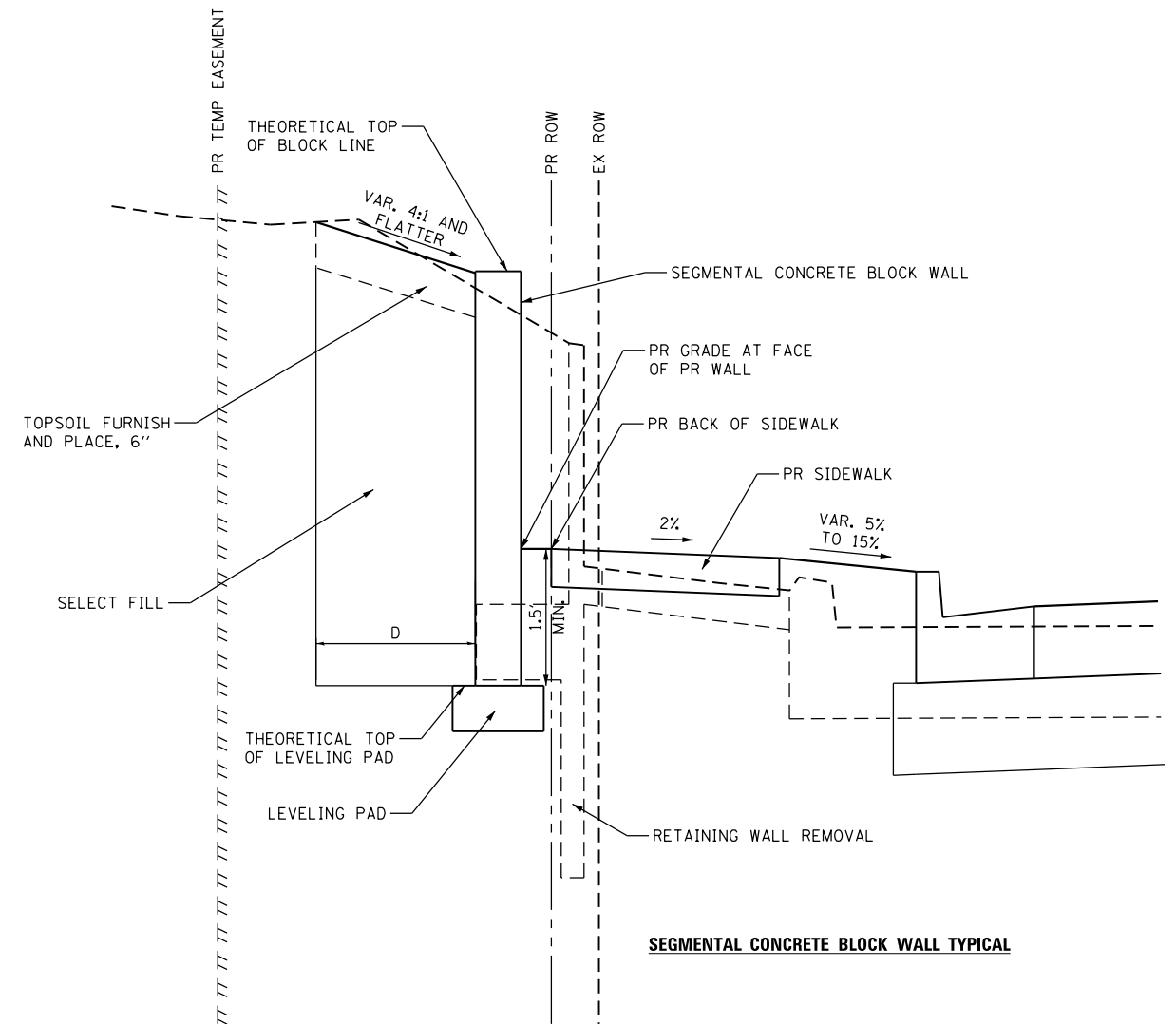
**WALL 'A' ELEVATION**  
SEGMENTAL CONCRETE BLOCK WALL (250 SQ FT)



**WALL 'AJ' ELEVATION**  
SEGMENTAL CONCRETE BLOCK WALL (109 SQ FT)



**WALL 'R' ELEVATION**  
SEGMENTAL CONCRETE BLOCK WALL (368 SQ FT)



**SEGMENTAL CONCRETE BLOCK WALL TYPICAL**

FILE NAME = *FILEL*	USER NAME = *USER*	DESIGNED -	REVISED -	<b>STATE OF ILLINOIS DEPARTMENT OF TRANSPORTATION</b>	<b>SEGMENTAL BLOCK WALL DETAIL</b>			F.A.P. RTE. =	SECTION	COUNTY	TOTAL SHEETS	SHEET NO.
	PLOT SCALE = *SCALE*	DRAWN -	REVISED -		<b>IL 2 LT, FROM SALTER AVE TO KNOWLTON ST</b>			742	(32,33) R-1	WINNEBAGO	705	525
	PLOT DATE = *DATE*	CHECKED -	REVISED -		SCALE: NTS	SHEET NO. 7 OF 12 SHEETS	STA.	TO STA.	CONTRACT NO. 64821			
		DATE -	REVISED -		ILLINOIS FED. AID PROJECT							