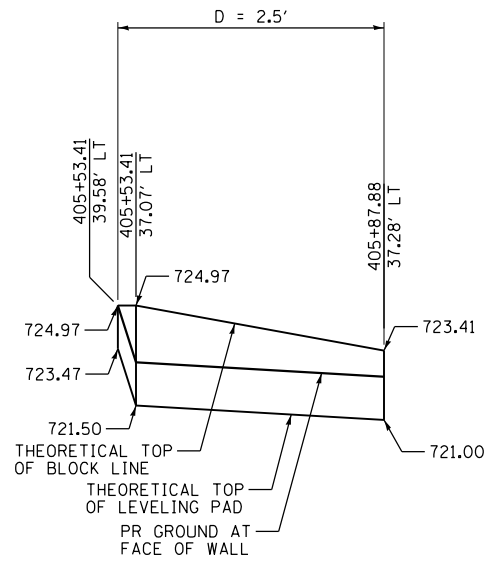
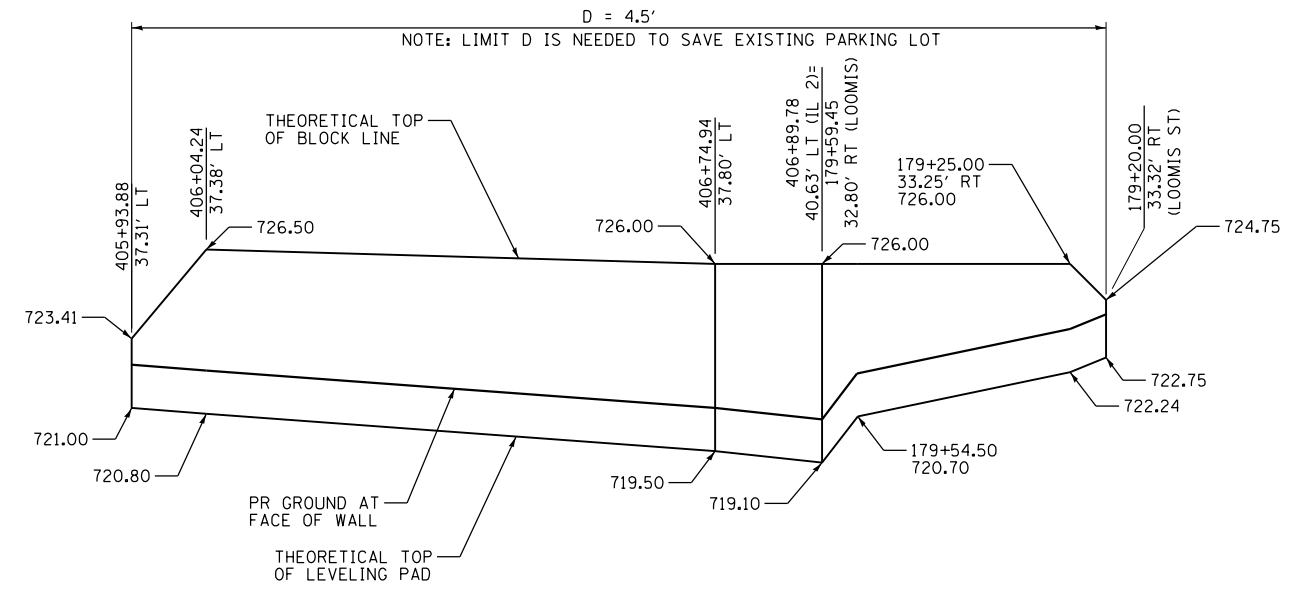


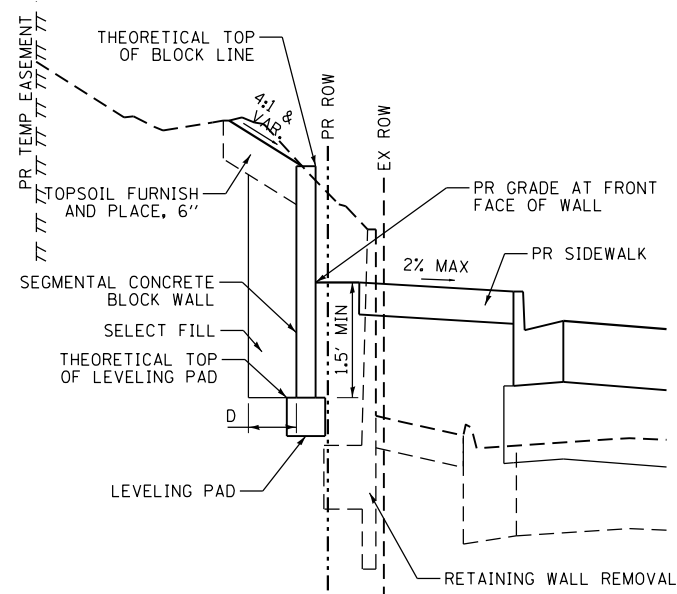
WALL 'W' ELEVATION
SEGMENTAL CONCRETE BLOCK WALL (174 SQ FT)



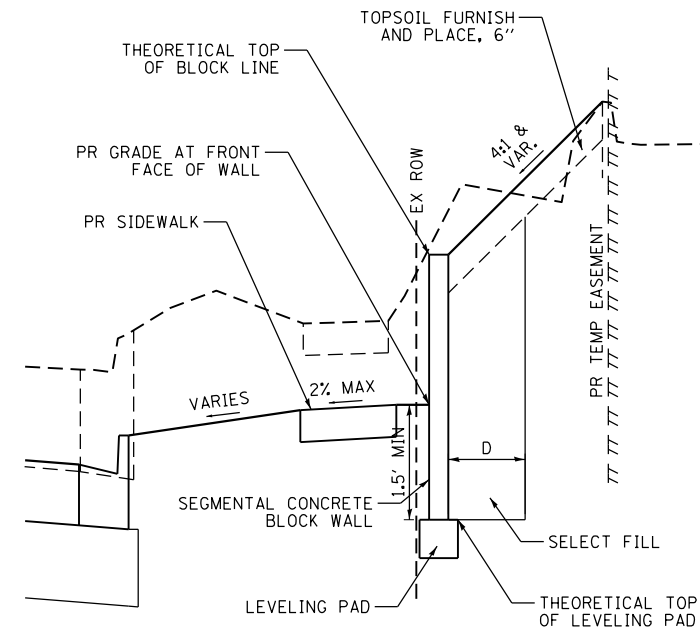
WALL 'X' ELEVATION
SEGMENTAL CONCRETE BLOCK WALL (108 SQ FT)



WALL 'Y' ELEVATION
SEGMENTAL CONCRETE BLOCK WALL (756 SQ FT)



SEGMENTAL CONCRETE BLOCK WALL TYPICAL (IL 2)



SEGMENTAL CONCRETE BLOCK WALL TYPICAL (LOOMIS)

FILE NAME =	USER NAME = \$USER*	DESIGNED -	REVISED -
FILEL		DRAWN -	REVISED -
	PLOT SCALE = \$SCALE*	CHECKED -	REVISED -
	PLOT DATE = \$DATE*	DATE -	REVISED -

**STATE OF ILLINOIS
DEPARTMENT OF TRANSPORTATION**

SEGMENTAL BLOCK WALL DETAIL	
IL 2 LT, FROM MONTAGUE ST TO LOOMIS ST	
SCALE: NTS	SHEET NO. 11 OF 12 SHEETS STA. TO STA.

F.A.P. RTE.	SECTION	COUNTY	TOTAL SHEETS	SHEET NO.
742	(32,33) R-1	WINNEBAGO	705	529
CONTRACT NO. 64821				
ILLINOIS FED. AID PROJECT				