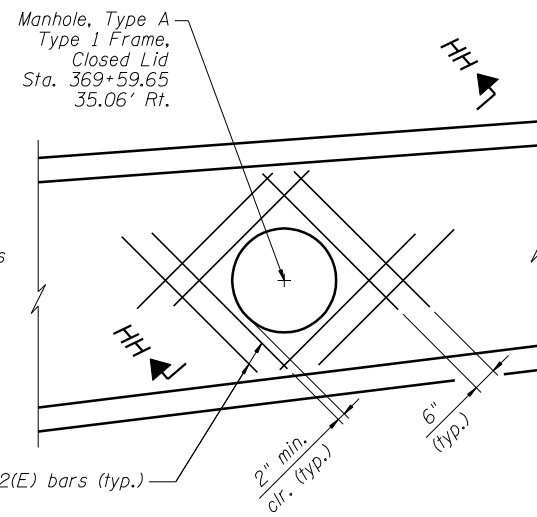


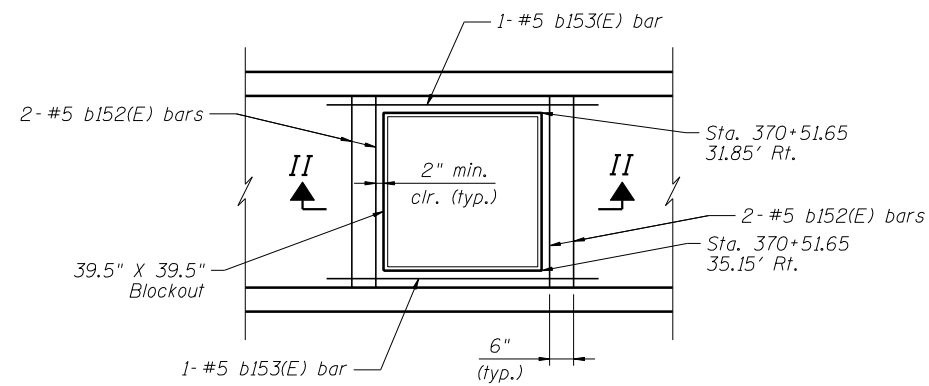
**DETAIL 1B**

Traffic island reinforcement not shown for clarity.



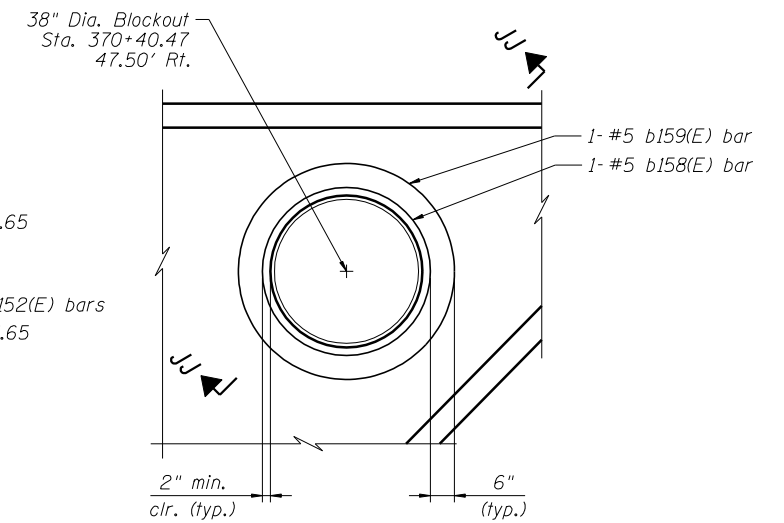
**DETAIL 2C**

Traffic island reinforcement not shown for clarity.



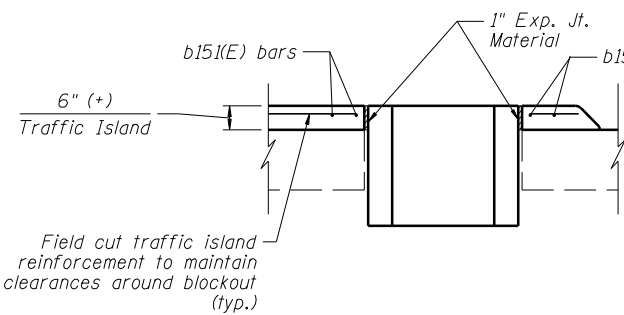
**DETAIL 4C**

Traffic island reinforcement not shown for clarity.

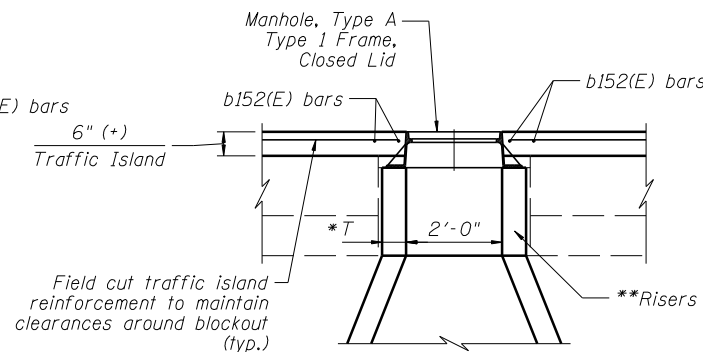


**DETAIL 5B**

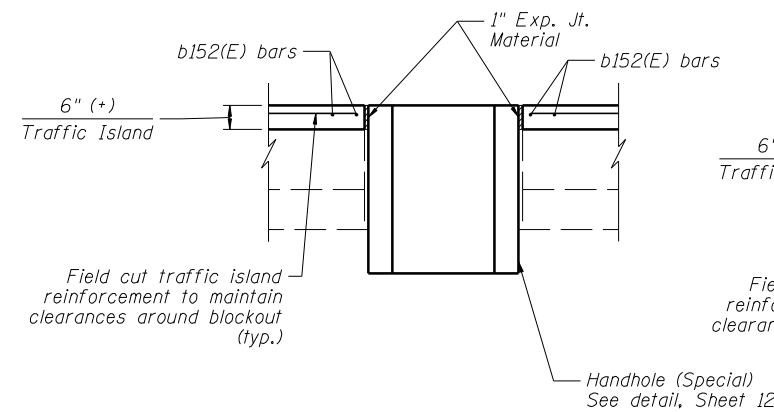
Traffic island reinforcement not shown for clarity.



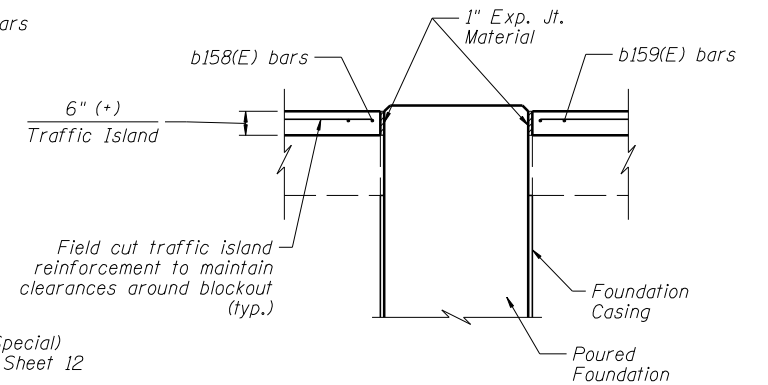
**SECTION FF-FF**



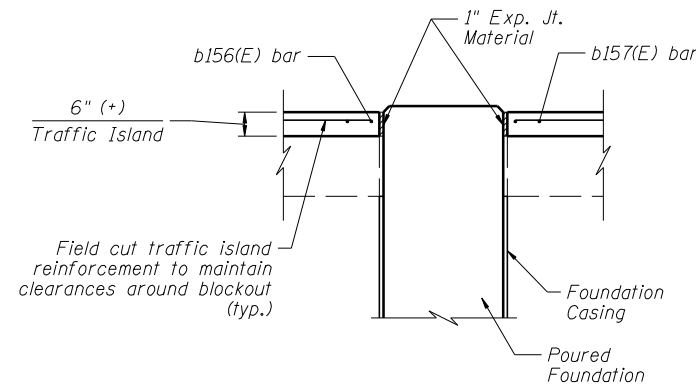
**SECTION HH-HH**



**SECTION II-II**



**SECTION JJ-JJ**



**SECTION GG-GG**

**LEGEND**

b.f. denotes bottom of footing  
 t.f. denotes top of footing  
 b.s. denotes bottom of slab  
 t.s. denotes top of slab

\* See Std. Dwg. 602401-03 for wall thickness.  
 \*\* Include cost of risers in unit price bid for Manhole, Type A.



FILE NAME =	USER NAME =	DESIGNED - ASP	REVISED
		CHECKED - LNB	REVISED
		DRAWN - LNB	REVISED
		CHECKED - ASP	REVISED

**STATE OF ILLINOIS  
 DEPARTMENT OF TRANSPORTATION**

**IL 2 (RT.) BIKE PATH AT 15TH AVENUE  
 TRAFFIC ISLAND BLOCKOUT DETAILS**

SHEET NO. 14 OF 18 SHEETS

F.A.P. RTE.	SECTION	COUNTY	TOTAL SHEETS	SHEET NO.
742	(32.33) R-1	WINNEBAGO	705	544
			CONTRACT NO. 64821	
ILLINOIS FED. AID PROJECT				