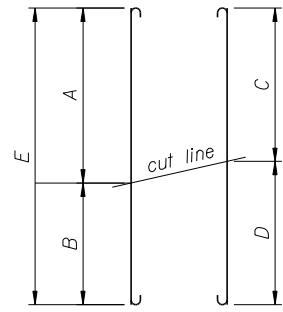


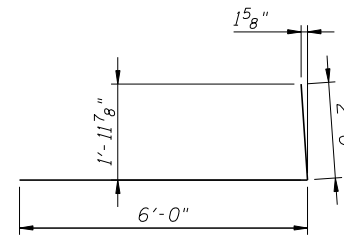
BAR CUTTING TABLE

Bar	Hook	A	B	C	D	E	X	Y
a2(E)	N	30'-11"	12'-8"	18'-3"	14'-11"	16'-0"	3	1
a10(E)	N	46'-0"	11'-6"	34'-6"	22'-1"	23'-11"	7	1
a12(E)	N	31'-5"	16'-9"	14'-8"	18'-10"	12'-7"	4	1
a19(E)	N	43'-2"	13'-3"	29'-11"	19'-11"	23'-3"	3	1
a21(E)	N	35'-5"	18'-1"	17'-4"	19'-8"	15'-9"	3	1
a29(E)	N	42'-0"	21'-9"	20'-3"	27'-9"	14'-3"	5	1
a43(E)	N	36'-6"	19'-0"	17'-6"	20'-6"	16'-0"	2	1
a49(E)	N	40'-0"	12'-11"	27'-1"	18'-7"	21'-5"	3	1
b16(E)	Y	29'-6"	9'-9"	19'-9"	14'-8"	14'-10"	32	1
b46(E)	N	21'-5"	10'-11"	10'-6"	15'-8"	5'-9"	11	1
b87(E)	Y	51'-3"	22'-7"	28'-8"	25'-6"	25'-9"	17	1
b88(E)	Y	27'-10"	6'-3"	21'-7"	13'-5"	14'-5"	8	1
b106(E)	N	43'-5"	24'-2"	19'-3"	22'-0"	21'-5"	5	1
b107(E)	N	23'-3"	4'-4"	18'-11"	10'-1"	13'-2"	3	1
b108(E)	N	8'-4"	3'-7"	4'-9"	4'-0"	4'-4"	6	1
b109(E)	N	6'-5"	2'-9"	3'-8"	3'-2"	3'-3"	5	1
b113(E)	N	7'-7"	4'-4"	3'-3"	3'-10"	3'-9"	10	1
b116(E)	N	43'-9"	20'-11"	22'-10"	21'-5"	22'-4"	2	1
b120(E)	N	11'-10"	10'-9"	1'-1"	6'-5"	5'-5"	5	1
b124(E)	N	15'-8"	12'-0"	3'-8"	8'-4"	7'-4"	5	1
b140(E)	N	11'-7"	9'-10"	1'-9"	6'-3"	5'-4"	5	1
b144(E)	N	15'-6"	12'-10"	2'-8"	8'-4"	7'-2"	5	1

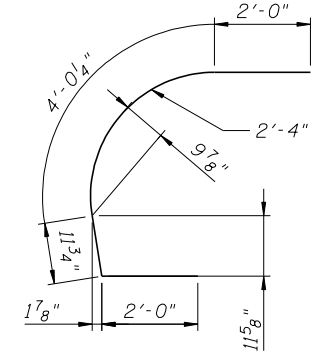


CUTTING DIAGRAM

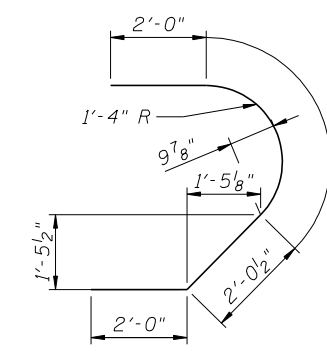
X bars - Y set(s)
(Use Remainder of Bars at Opposite End)
(See Bar Cutting Table)



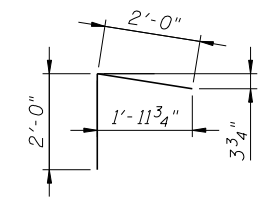
BARS b123(E)



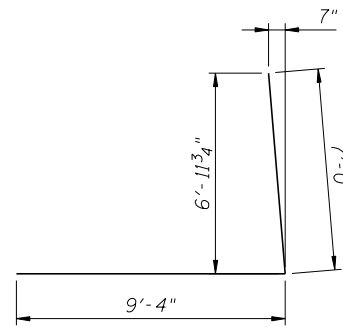
BARS b126(E)



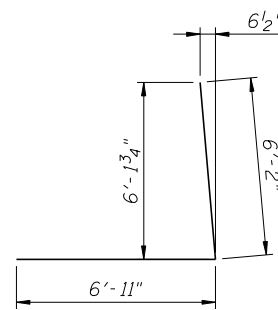
BARS b130(E)



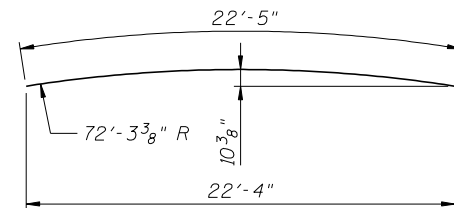
BARS b137(E)



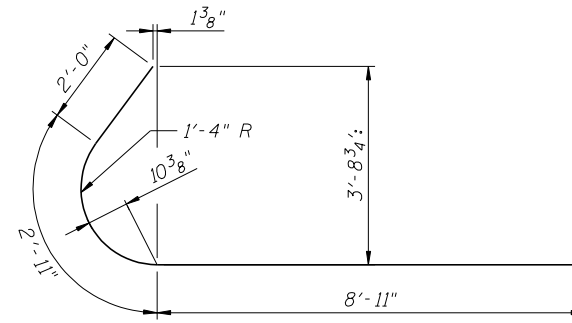
BARS a8(E) & a17(E)



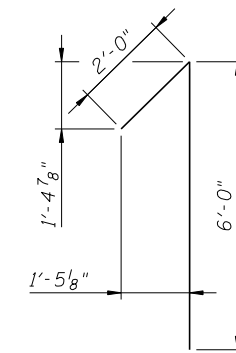
BARS a63(E) & a64(E)



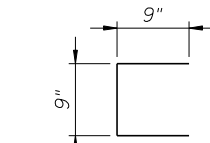
BARS a62(E)



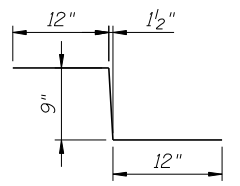
BARS b141(E)



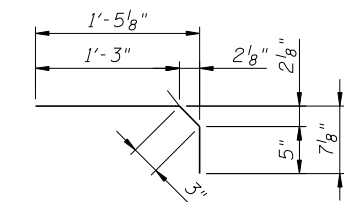
BARS b142(E)



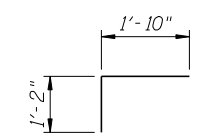
BARS c8(E)



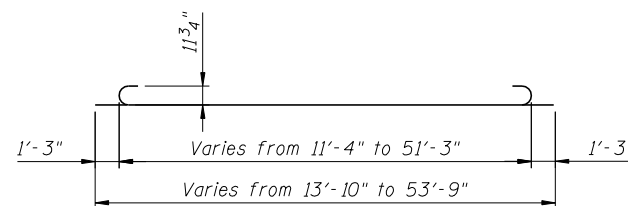
BARS c9(E)



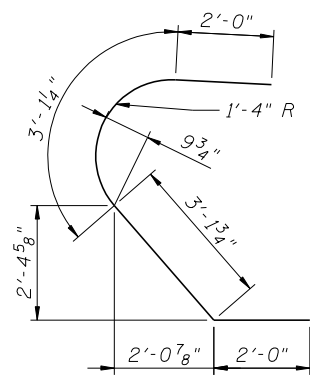
BARS c10(E)



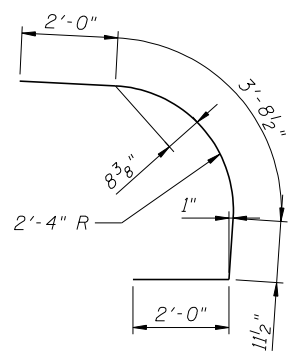
v(E) bar



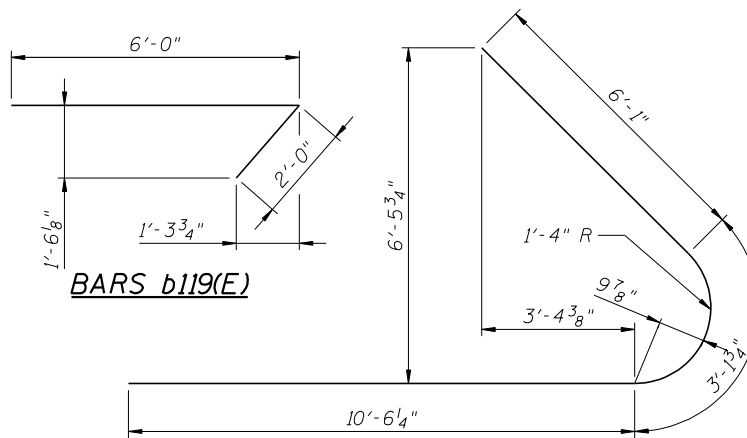
BARS b13(E) thru b44(E) and b62(E) thru b88(E)



BARS b110(E)

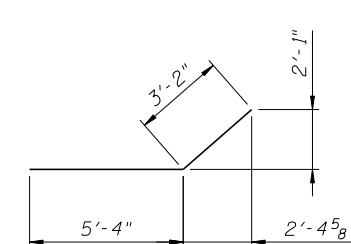


BARS b115(E)

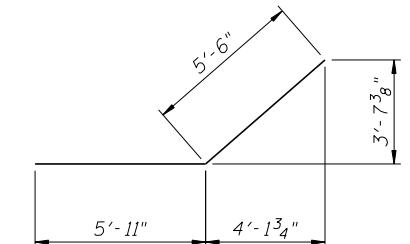


BARS b119(E)

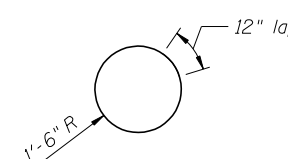
BARS b122(E)



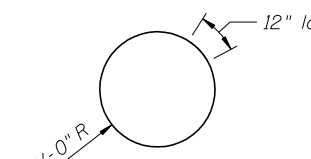
BARS b147(E) & b148(E)



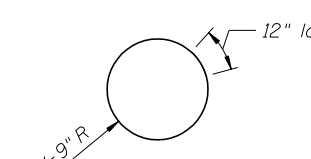
BARS b149(E) & b150(E)



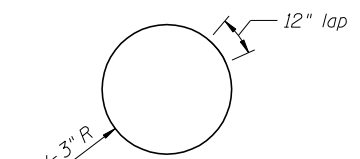
BARS b156(E)



BARS b157(E)



BARS b158(E)



BARS b159(E)