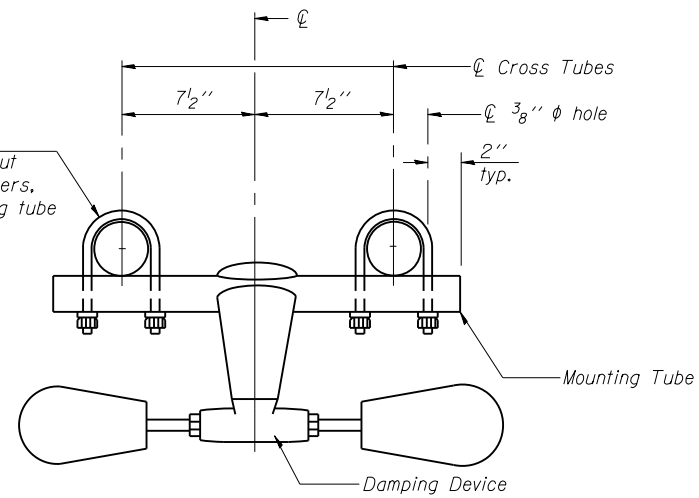
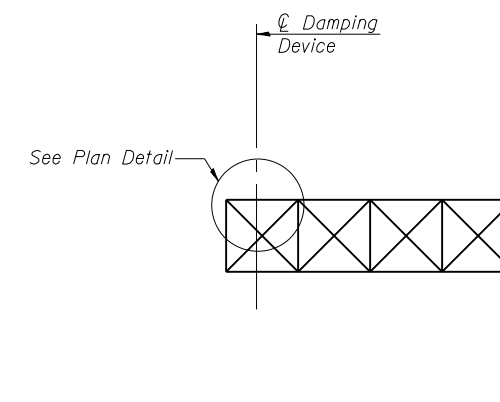


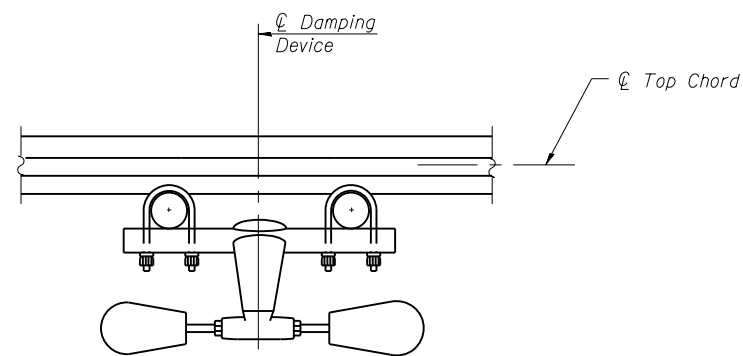
PLAN DETAIL



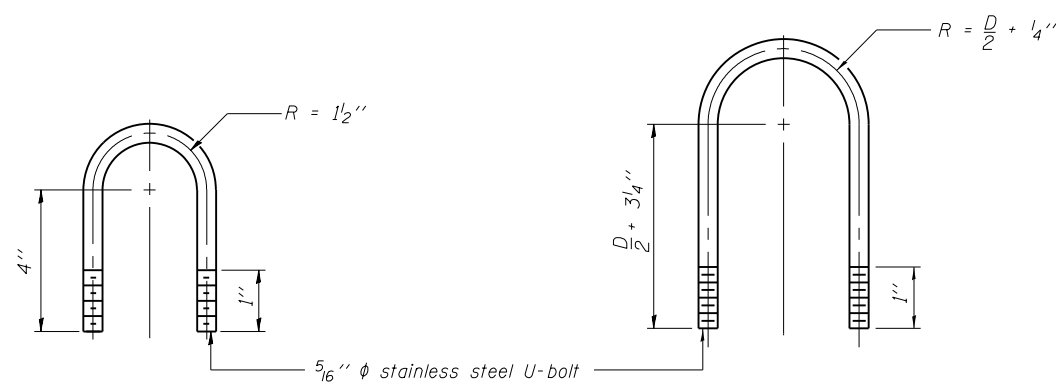
TRUSS DAMPING DEVICE CONNECTION DETAIL



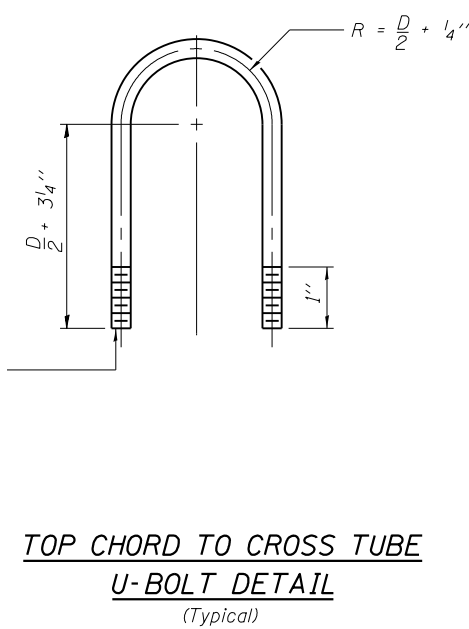
ELEVATION
Aluminum Cantilever Sign Structure



SECTION A-A



DAMPING DEVICE MOUNTING TUBE U-BOLT DETAIL
(Typical)



TOP CHORD TO CROSS TUBE U-BOLT DETAIL
(Typical)

- GENERAL NOTES**
- Damper: One damper per truss. (31 lbs. Stockbridge-Type Aluminum-29" minimum between ends of weights)
 - Materials: Aluminum tubes shall be ASTM B221 alloy 6061 temper T6

OSC-A-D 6-1-12

DESIGNED -	EXAMINED _____	DATE - _____
CHECKED -	ENGINEER OF BRIDGE DESIGN	
DRAWN -	PASSED _____	REVISED _____
CHECKED -	ENGINEER OF BRIDGES AND STRUCTURES	REVISED _____

STATE OF ILLINOIS
DEPARTMENT OF TRANSPORTATION

CANTILEVER SIGN STRUCTURE
DAMPING DEVICE

SHEET NO. 3 OF 9 SHEETS

F.A.P. RTE.	SECTION	COUNTY	TOTAL SHEETS	SHEET NO.
742	(32,33) R-1	WINNEBAGO	705	554
CONTRACT NO. 64821				

ILLINOIS FED. AID PROJECT