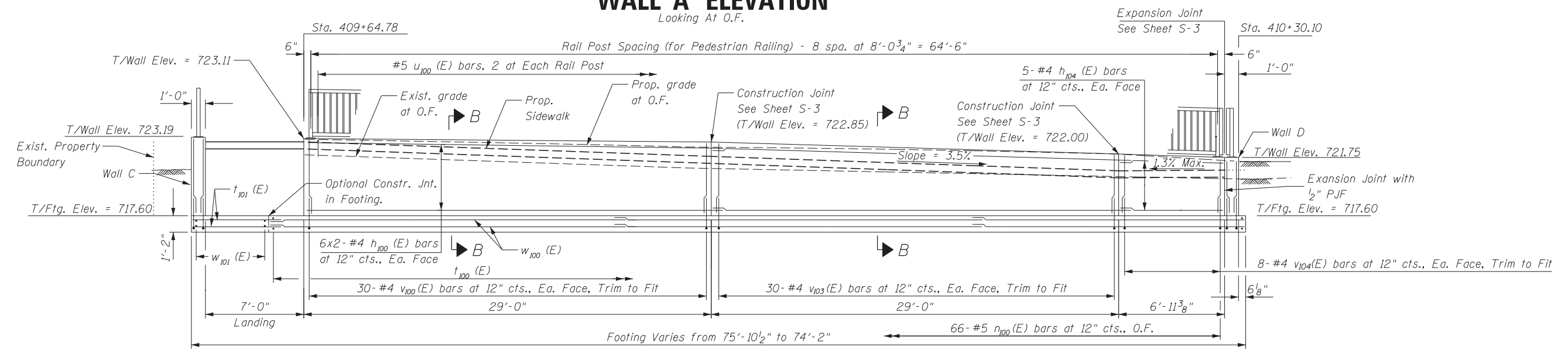


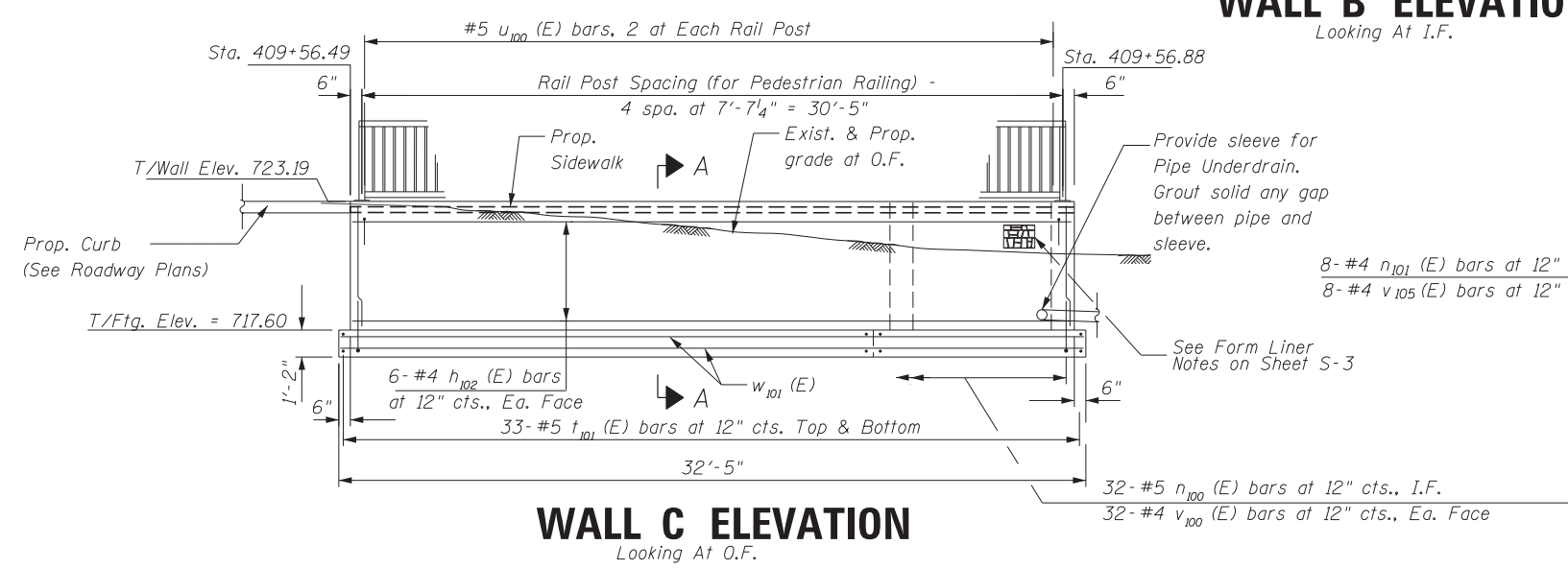
### WALL A ELEVATION

Looking At O.F.



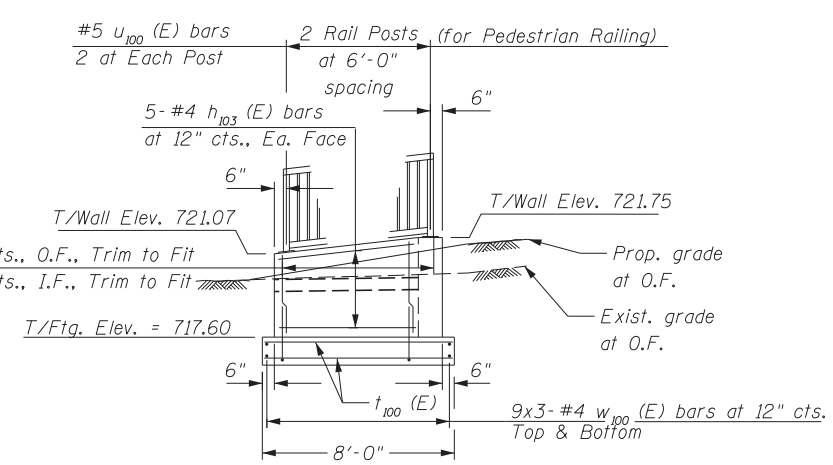
### WALL B ELEVATION

Looking At O.F.



### WALL C ELEVATION

Looking At O.F.



### WALL D ELEVATION

Looking At O.F.  
See Form Liner Notes on Sheet S-3

- Notes:
1. Bars indicated thus 20x2 -#4 etc. indicates 20 lines of bars with 2 lengths per line.
  2. Coordinate the structural details on Sheets S-1 thru S-4 with the demolition, roadway and sidewalk plans.
  3. See Roadway Plans for sidewalk pay items, details and additional grading information.

I.F. = Inside Face  
O.F. = Outside Face



USER NAME = JMW	DESIGNED - JMW	REVISED -
PLOT SCALE =	DRAWN - JMW	REVISED -
PLOT DATE =	CHECKED - DFM	REVISED -
	DATE - 9/28/12	REVISED -

STATE OF ILLINOIS  
DEPARTMENT OF TRANSPORTATION

### WALL ELEVATIONS

SHEET S-2 OF S-4 SHEETS STA. TO STA.

F.A. RTE.	SECTION	COUNTY	TOTAL SHEETS	SHEET NO.
742	(32,33) R-1	WINNEBAGO	705	562
ILLINOIS FED. AID PROJECT			CONTRACT NO. 64821	