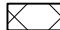

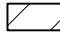

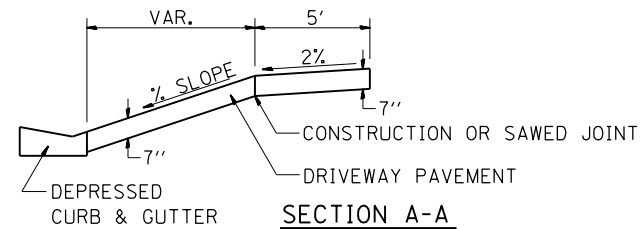
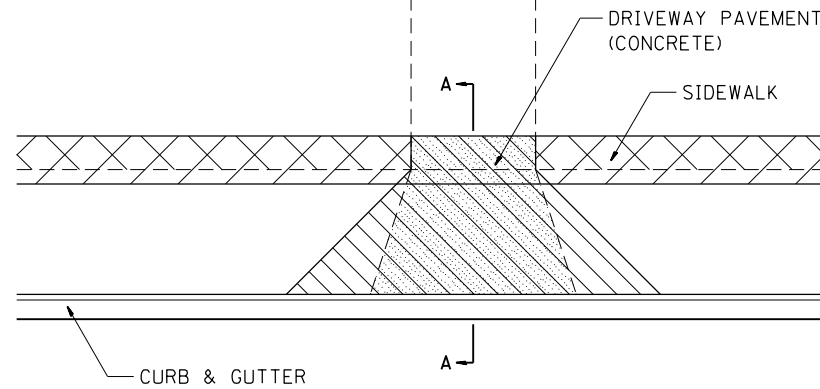


SIDEWALK AND DRIVEWAY PAVEMENT PAY AREAS

- PAY FOR AS
-  SIDEWALK REMOVAL
 -  DRIVEWAY PAVEMENT REMOVAL
 -  PCC SIDEWALK 5
 -  PCC DRIVEWAY PAVEMENT 7



FOR DETAILS ON DIMENSIONS AND GRADES, SEE DISTRICT STANDARD 25.1 OR PLANS.

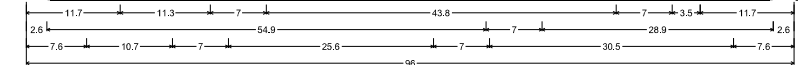
ALL DIMENSIONS ARE IN INCHES UNLESS OTHERWISE NOTED.

REVISED - 10-3-11

SIDEWALK AND DRIVEWAY PAVEMENT PAY AREAS 35.4

ROAD CLOSED TO OVERSIZED LOADS

**NO OVERSIZE -
OVERWEIGHT LOADS
XX MILES AHEAD**



Permit Loads - Loads Over 13 Feet; 3.0' Radius, 1.3' Border, Black on Orange;
 (NO OVERSIZE -) D; (OVERWEIGHT LOADS) D 85% spacing; (XX MILES AHEAD) D;
 Table of letter and object heights:

N	O	V	E	R	S	I	Z	E	*					
11.7	18.1	30.0	38.2	42.8	48.4	54.4	60.7	63.5	69.5	80.8				
D	V	E	R	W	E	I	G	H	T	L	O	A	D	S
2.6	8.6	15.0	20.4	26.2	33.4	38.9	41.3	47.4	53.2	64.3	69.9	75.9	82.9	88.7
X	H	I	L	E	S	A	H	E	A	D				
7.8	13.8	25.3	32.3	35.1	40.8	46.2	57.9	65.1	71.4	78.8	83.7			

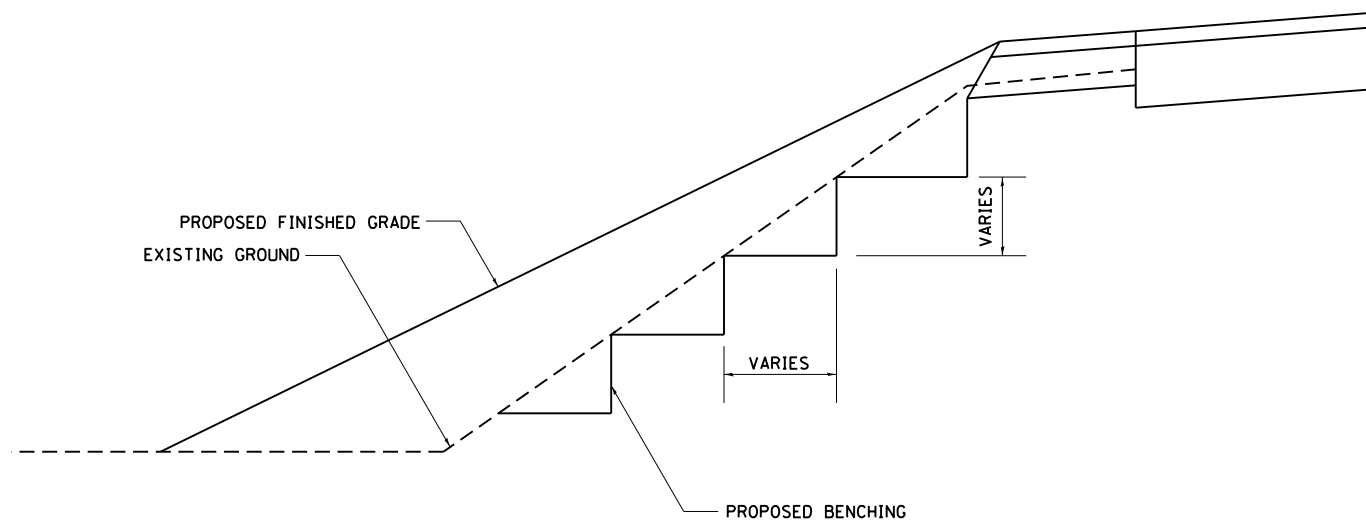
All work to furnish and install these signs shall be included in the cost of the Traffic Control Standards and shall not be paid for separately.

ALL DIMENSIONS ARE IN INCHES UNLESS OTHERWISE NOTED.

REVISED - 3-11-09

ROAD CLOSED TO OVERSIZED LOADS 40.4

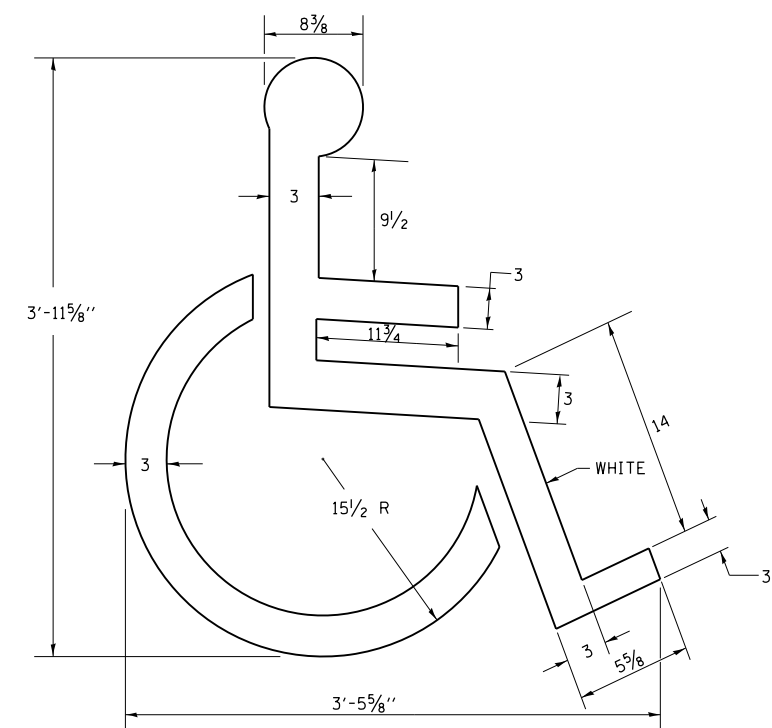
TYPICAL BENCHING ON EXISTING EMBANKMENT



REVISED - 2-22-06

TYPICAL BENCHING ON EXISTING EMBANKMENT 50.4

DISABLED SYMBOL



QUANTITY
2.9 ft²

ALL DIMENSIONS ARE IN INCHES UNLESS OTHERWISE NOTED.

REVISED - 10-3-11	REGION 2 / DISTRICT 2 STANDARD	F.A.P. RTE.	SECTION	COUNTY	TOTAL SHEETS	SHEET NO.
REVISED -		742	(32, 33) R-1	WINNEBAGO	705	565
REVISED -		CONTRACT NO. 64821				
REVISED -		SCALE: *SCALE*	SHEET NO. 1 OF 19 SHEETS	STA.	TO STA.	FED. ROAD DIST. NO.

DISABLED SYMBOL 69.4