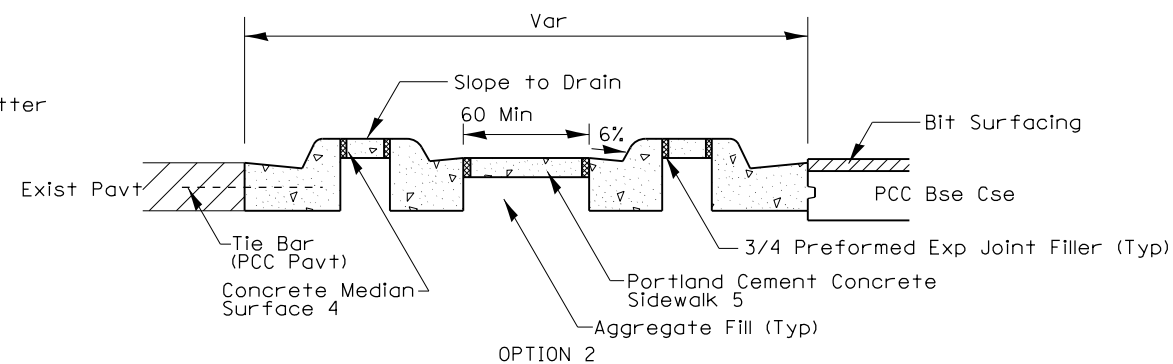
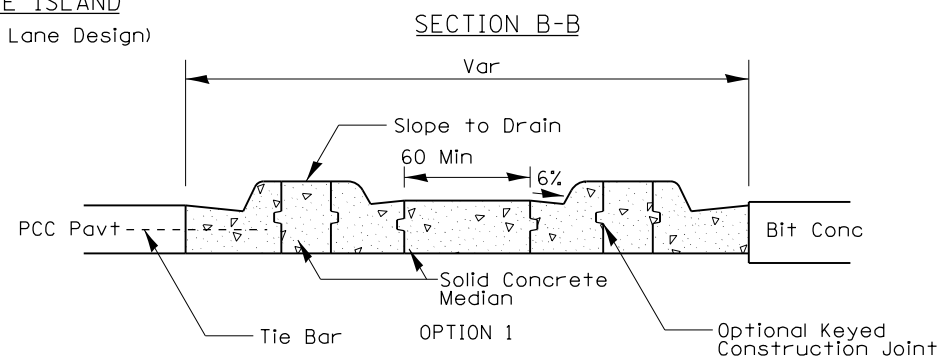
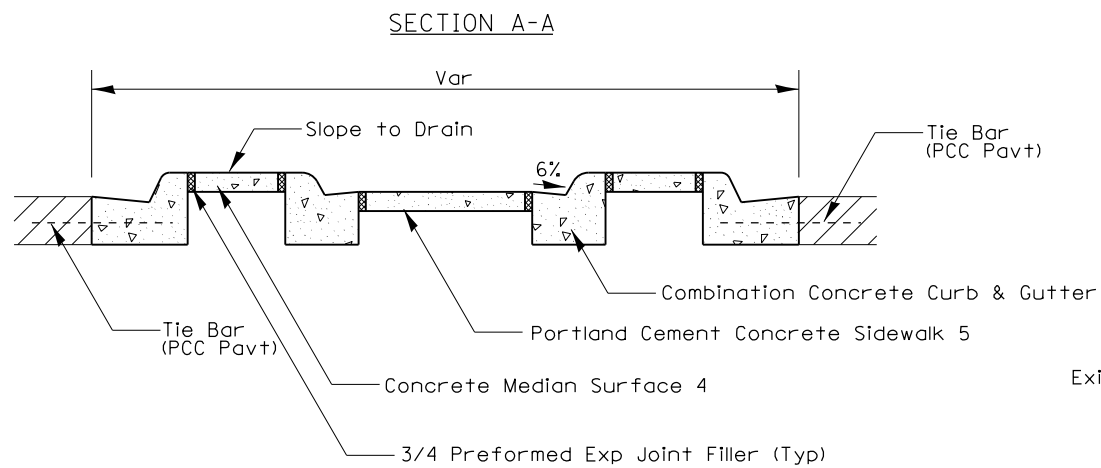
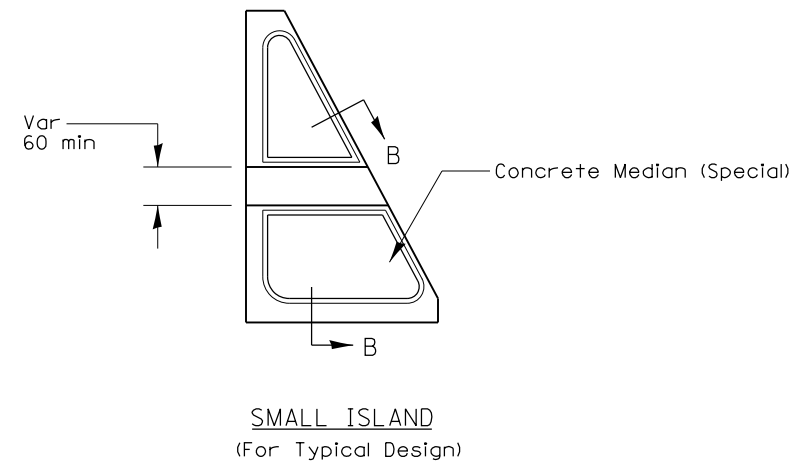
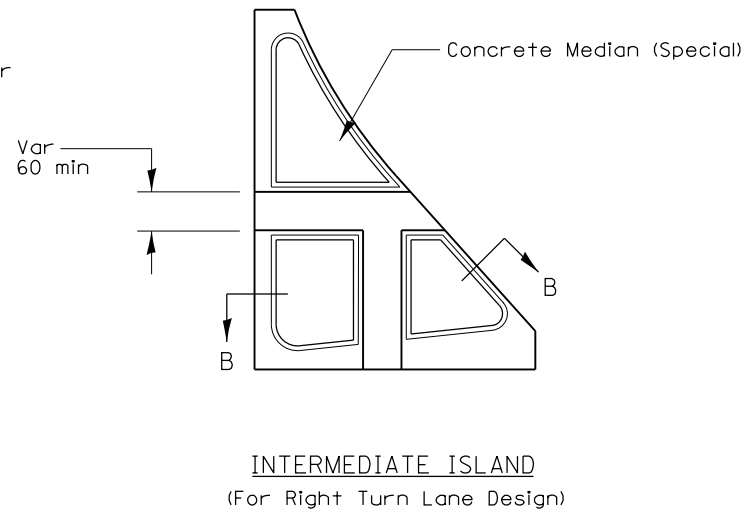
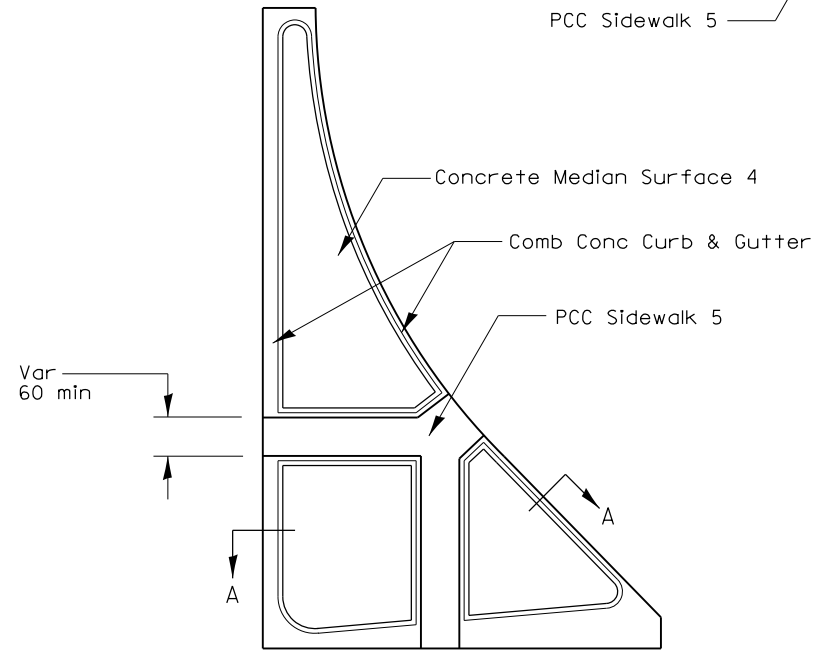
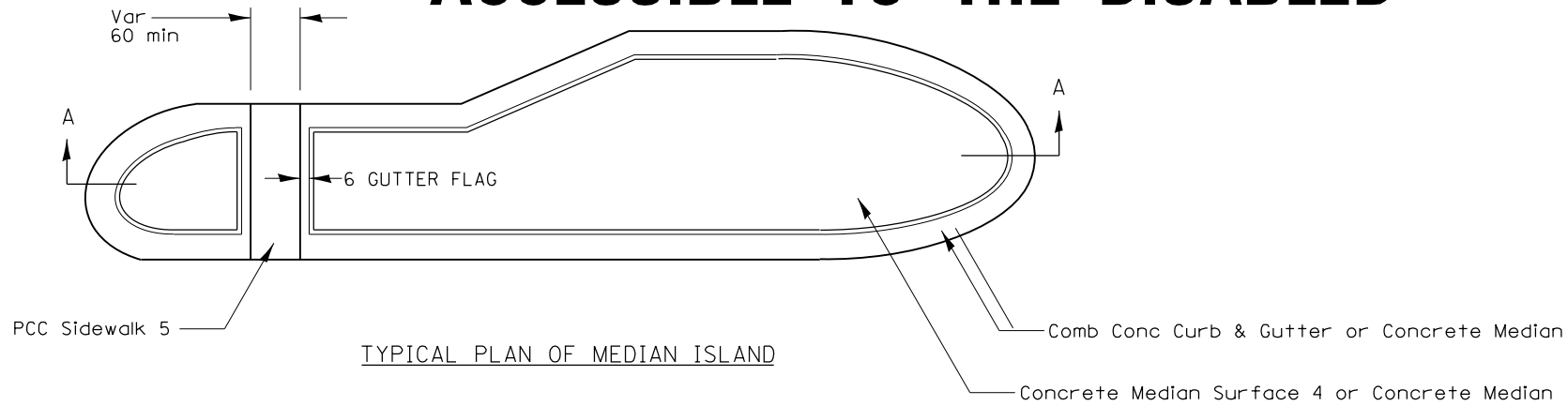


PC CONCRETE ISLANDS AND MEDIANS ACCESSIBLE TO THE DISABLED



General Notes:
See Standard 606301 and plan sheets for station & offsets, radii, dimensions, and details not shown.

See Standard 424031 for sidewalk details not shown.

The sidewalk should drain to the low side of the island. If necessary the sidewalk shall be sloped to drain at a maximum 2% grade.

See the plan general notes for the type of curb & gutter to be used on islands.

Curb & gutter adjacent to the walkway in the interior of the island shall have 6 gutter flags.

The sidewalk should not be closer than 36 from the corner of the island.

Keyed longitudinal construction joints shall be constructed without tie bars.

Medians and large islands shall consist of PCC Sidewalk 5, Concrete Median Surface 4, and Combination Concrete Curb & Gutter, Type M or B of the size specified. Median island can also be solid concrete medians.

Locations, layouts, and widths of the flush sidewalk area, shall be determined by the designer and shown on the plans.

The intermediate and small islands will be measured for payment from E.O.P. to E.O.P. using either option 1 or option 2, as directed by the Engineer, and will be paid for at the contract unit price per SQ FT for CONCRETE MEDIAN (SPECIAL) which shall include the combination curb & gutter, sidewalk, aggregate fill, concrete median surface, and solid concrete median.

ALL DIMENSIONS ARE IN INCHES UNLESS OTHERWISE NOTED.

FILE NAME =	USER NAME = Hogensonjd	DESIGNED -	REVISED - 10-09-12
et:\pwork\pwork\hogensonjd\0328875\0264821-sht-details-district.dgn		DRAWN -	REVISED -
		CHECKED -	REVISED -
		DATE -	REVISED -

STATE OF ILLINOIS
DEPARTMENT OF TRANSPORTATION

REGION 2 / DISTRICT 2 STANDARD

SCALE: SHEET NO. 10 OF 19 SHEETS STA. TO STA.

F.A. RTE.	SECTION	COUNTY	TOTAL SHEETS	SHEET NO.
			705	574
CONTRACT NO.				
FED. ROAD DIST. NO. ILLINOIS FED. AID PROJECT				