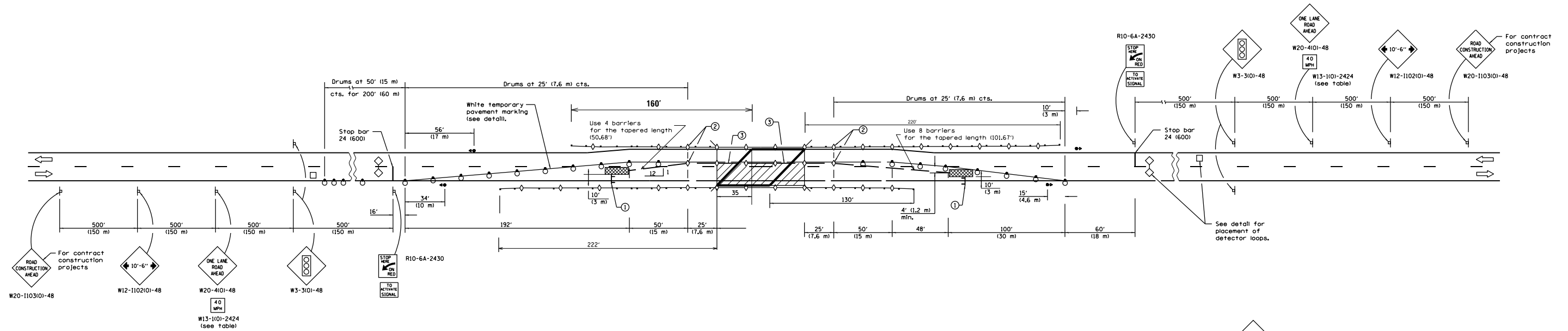
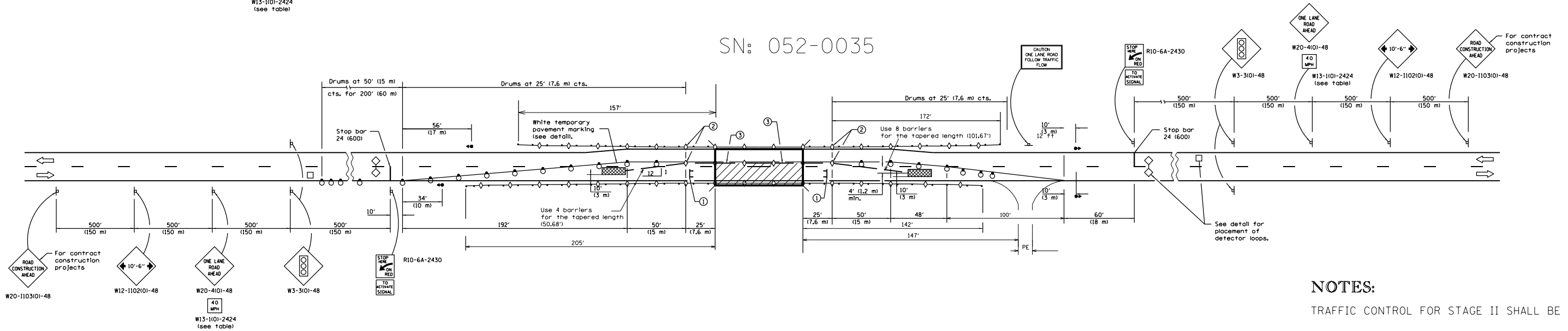


Traffic Control Stage I

SN: 052-0034



SN: 052-0035

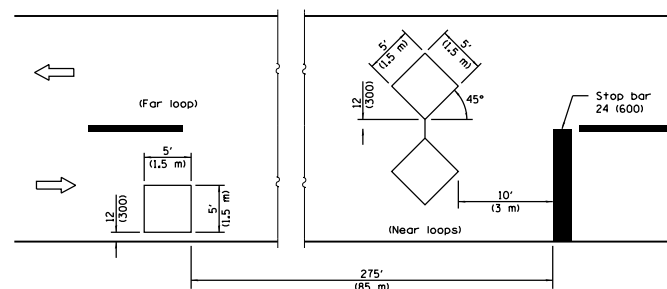


NOTES:

TRAFFIC CONTROL FOR STAGE II SHALL BE MIRRORED

SYMBOLS

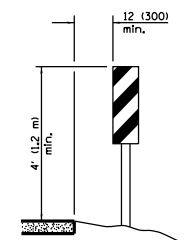
- Work area
- Drum with steady burning bi-directional light
- Sign
- Temporary concrete barrier
- Type III barricade
- Temporary rumble strip (when specified)
- Traffic signal
- Crystal, bidirectional barrier wall/guardrail marker
- Detector loops
- Impact attenuator



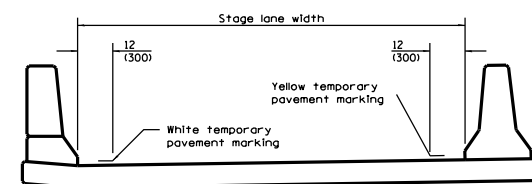
DETECTOR LOOPS DETAIL

| TRAFFIC SIGNAL SEQUENCE | | | | | |
|-------------------------|---|---|---|---|---|
| PHASE | A | B | | | |
| INTERVAL | 1 | 2 | 3 | 4 | 5 |
| NORTHBOUND OR EASTBOUND | G | Y | R | R | R |
| SOUTHBOUND OR WESTBOUND | R | R | G | Y | R |

| ADVISORY SPEED LIMIT | |
|----------------------|----------------|
| NORMAL POSTED SPEED | ADVISORY SPEED |
| 55 - 45 mph | 40 mph |
| 40 mph | 35 mph |
| 35 - 30 mph | 30 mph |



VERTICAL PANELS
(Post mounted, one each side)



TEMPORARY PAVEMENT MARKING DETAIL

- ① Type III barricade to be placed when no work is being performed.
- ② Barrier wall/guardrail markers at 25' (7.6 m) cts. See Standards 704001 & 635011.
- ③ When temp. bridge rail is specified, it shall be connected to the temp. conc. barrier using a traffic barrier terminal Type II.

Traffic signals shall be operational only when all traffic controls are in place. When traffic signals are not in operation, flaggers shall be used and traffic control shall conform to Standard 701201 or 701206.

Temporary concrete barrier shall be according to Standard 704001.

Existing or temporary pavement markings shall be on both sides of open lane from stop bar to stop bar.

| | | | | | | | | | |
|-------------|--------------------------------------|------------|-----------|---|--------------------|-----------------------|--------|--------------|-----------|
| FILE NAME = | USER NAME = bortesc | DESIGNED - | REVISED - | STATE OF ILLINOIS DEPARTMENT OF TRANSPORTATION | F.A.P. R.T.E. | SECTION | COUNTY | TOTAL SHEETS | SHEET NO. |
| Default | 4:052-0034.0035.Repairs\64H74.dgn | DRAWN - | REVISED - | | 573 | D2 DECK REPAIR 2013-2 | LEE | 22 | 5 |
| | PLOT SCALE = 10180.000 ft / in. | CHECKED - | REVISED - | | CONTRACT NO. 64H74 | | | | |
| | PLOT DATE = Mon Dec 03 11:15:36 2012 | DATE - | REVISED - | | | | | | |