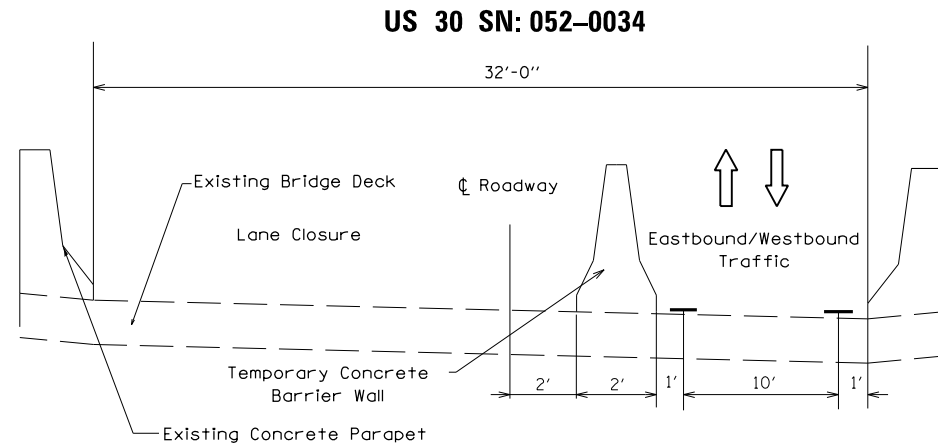
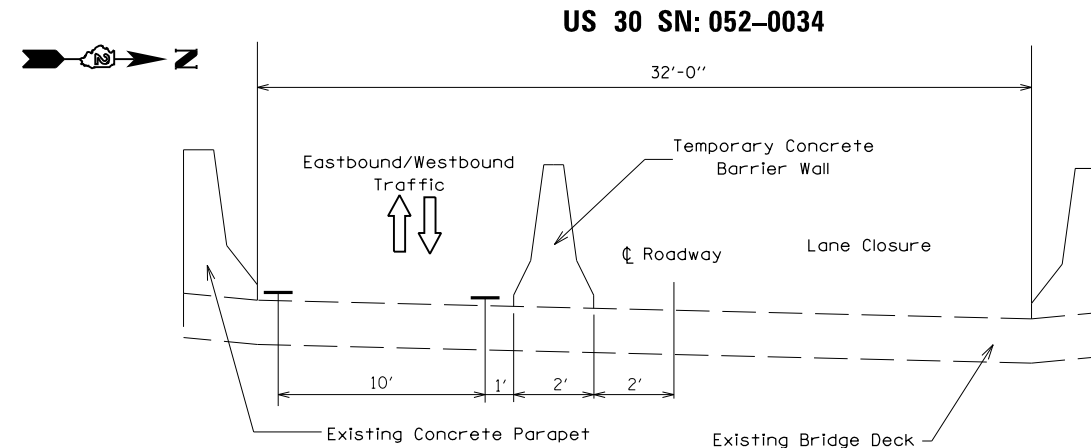


Traffic Control Plan

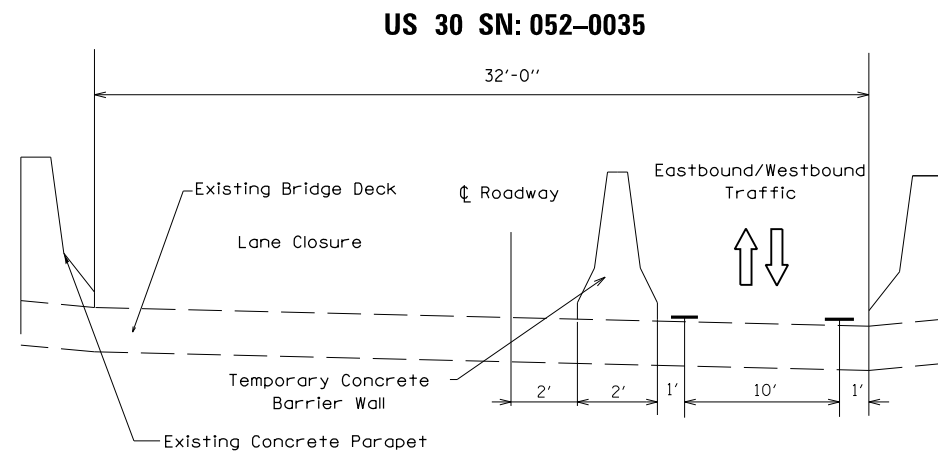
CROSS-SECTIONS



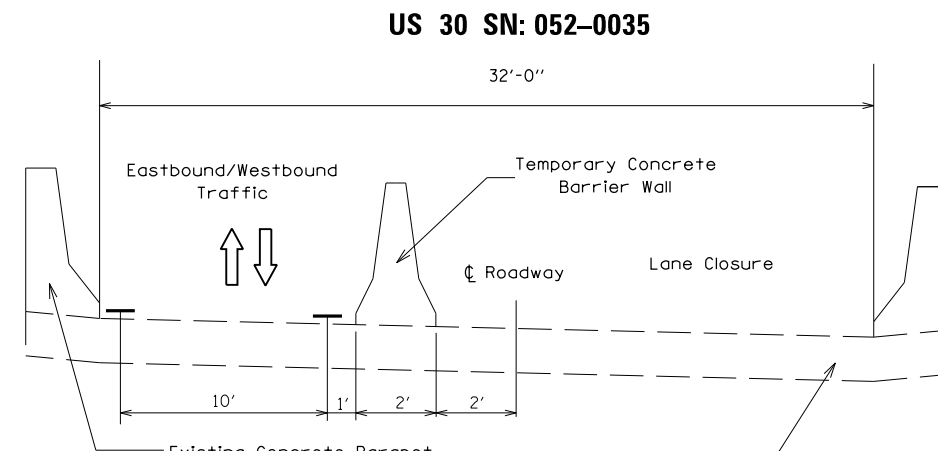
STAGE I



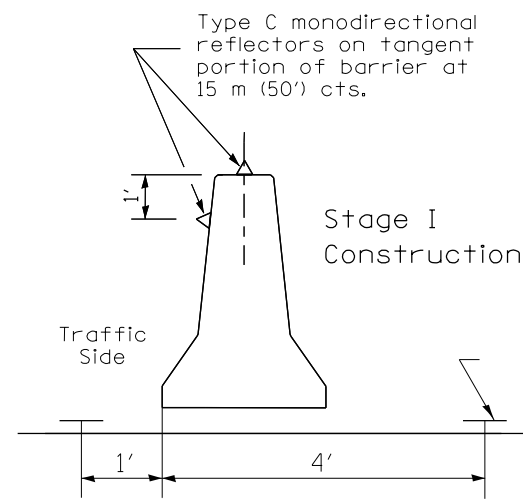
STAGE II



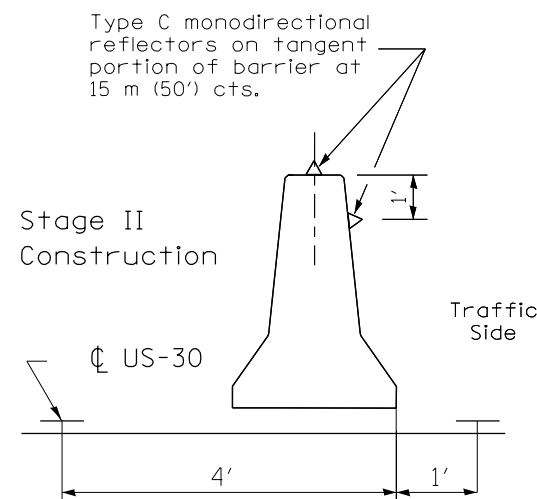
STAGE I



STAGE II



DETAIL
(BARRIER WALL REFLECTORS)



NOTES:

- ① Temporary pavement marking-Line 4" shall be placed throughout the tapers and along of the lines closures. Line should be white on the right side and yellow on the left side of the moving traffic.
- ② See Traffic Control Standards 701400-05 and 701402-09 for additional signs, devices and other items

DESIGNED -	REVISED -
DRAWN -	REVISED -
CHECKED -	REVISED -
DATE -	REVISED -

**STATE OF ILLINOIS
DEPARTMENT OF TRANSPORTATION**

F.A.P. RTE.	SECTION	COUNTY	TOTAL SHEETS	SHEET NO.
573	D2 DECK REPAIR 2013-2	LEE	22	7
				CONTRACT NO. 64H74
ILLINOIS				