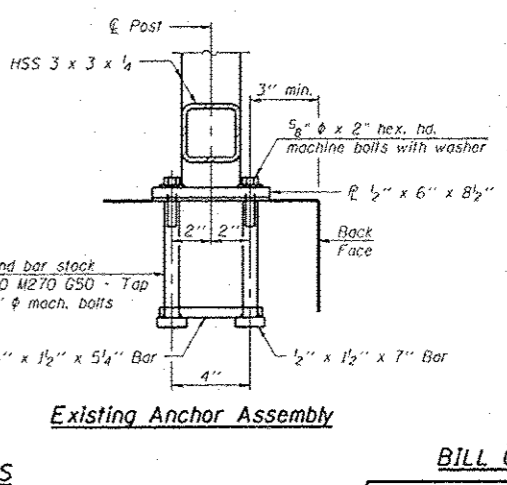
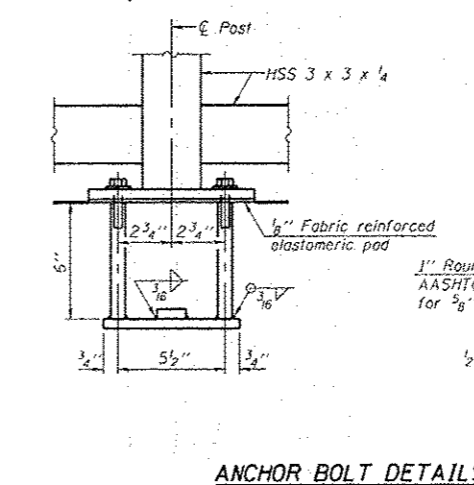
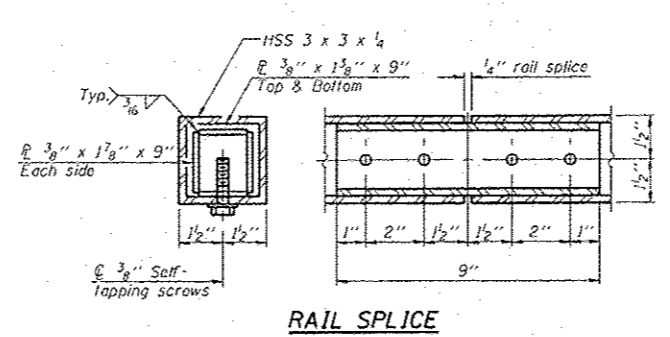
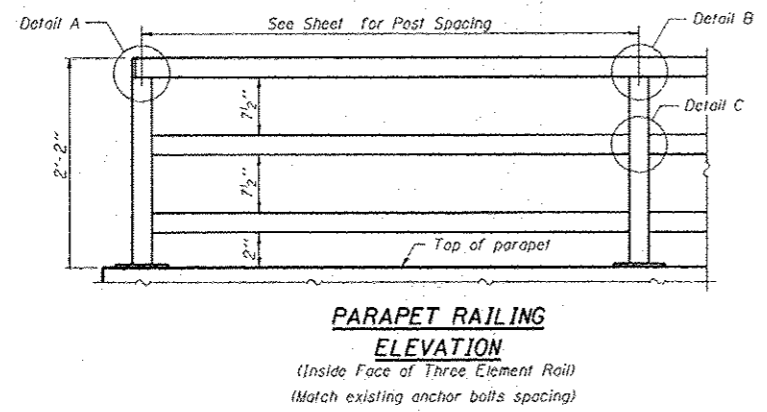
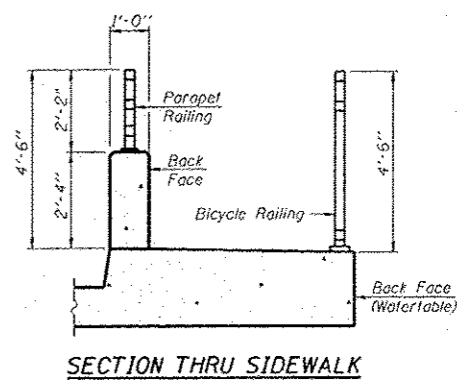
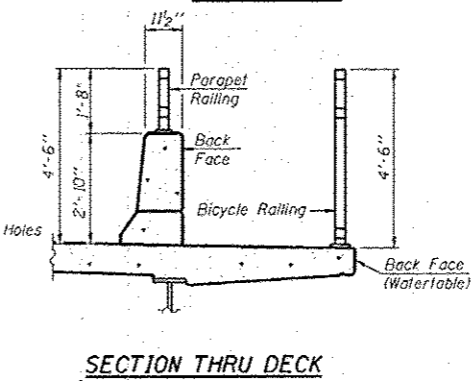
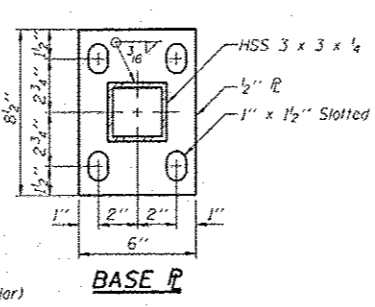
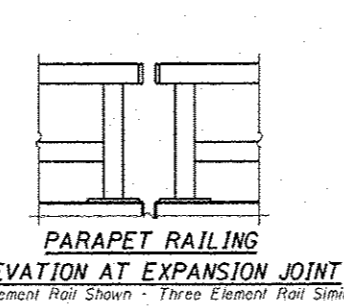
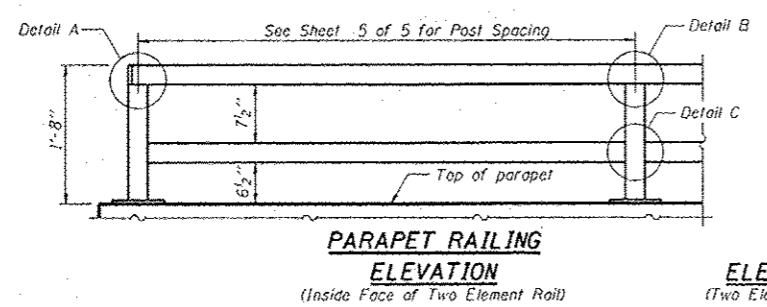
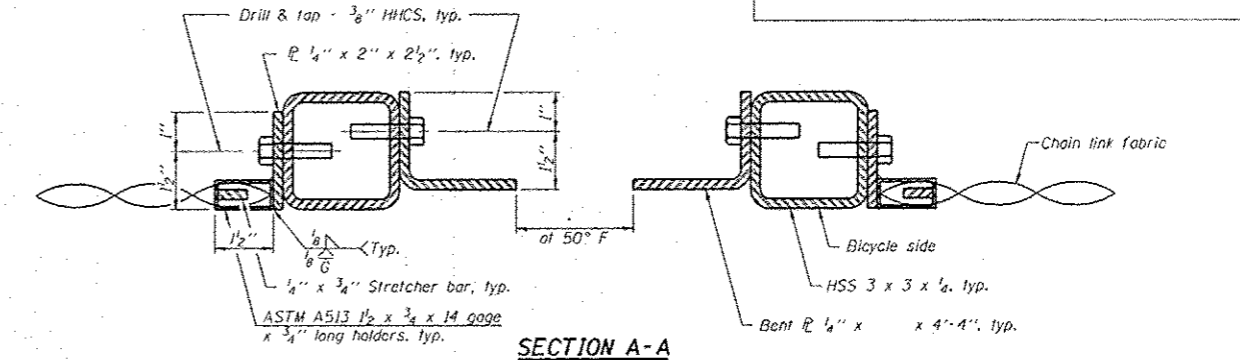


NOTE:
All steel rail elements shall be galvanized according to Article 509.05 of the Standard Specifications.



In lieu of the cast-in-place anchor device shown, the Contractor has the option of drilling and setting 5/8" φ anchor rods according to Article 509.06 of the Standard Specifications. Embedment shall be according to the manufacturer's specifications. Reuse existing anchor bolts embedded in concrete with new 5/8" diameter and 2" long hexagon headed machine bolts with washer.

BILL OF MATERIAL

Item	Unit	Quantity
Bicycle Railing	Foot	600
Parapet Railing	Foot	600

BICYCLE RAILING
IL. 251 OVER KISHWAUKEE RIVER
F.A.U. 5128 SECTION 105BR-2
WINNEBAGO COUNTY
STA. 195+48.00
STRUCTURE NO. 101-0163