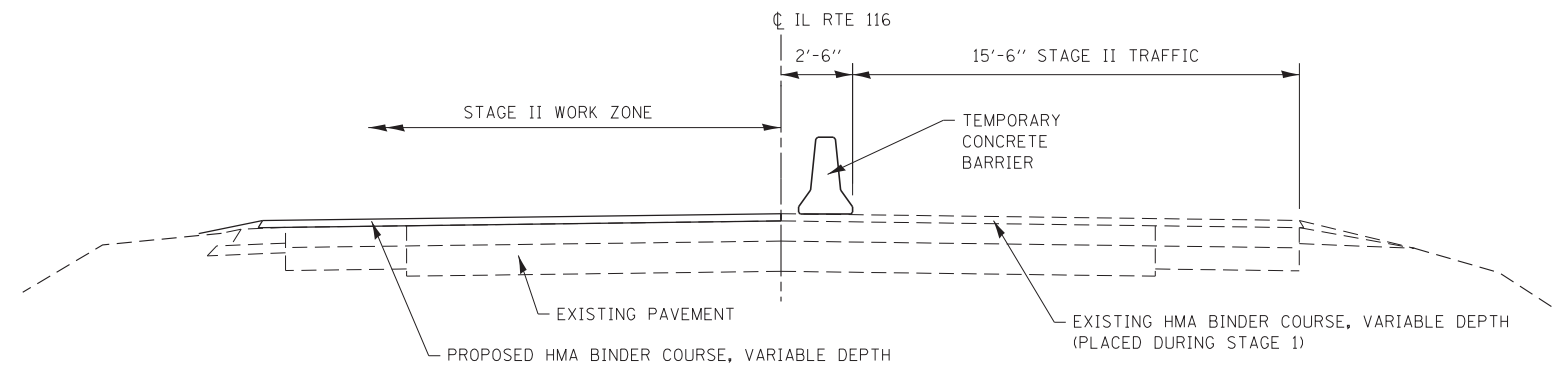


STAGE 2 CONSTRUCTION TYPICAL SECTION
 (LOOKING EAST AT STRUCTURE)
 FOR INFORMATION ONLY



STAGE 2 CONSTRUCTION TYPICAL SECTION
 (WEST OF STRUCTURE, LOOKING EAST &
 EAST OF STRUCTURE, LOOKING EAST)

FILE NAME =	USER NAME = Schwankerg	DESIGNED - RGV
FILES	PLOT TIME = \$TIME\$	DRAWN - RGV
	PLOT SCALE = 20.0000' / in.	CHECKED - JRR
	PLOT DATE = 12/13/2012	DATE - 8/10/12



STATE OF ILLINOIS
 DEPARTMENT OF TRANSPORTATION
 100 North Dearborn Street, Suite 1100
 Chicago, IL 60610
 Tel: 312.342.2200
 Fax: 312.342.2200
 www.illinois.gov

STATE OF ILLINOIS
DEPARTMENT OF TRANSPORTATION

STAGE 2 TYPICAL SECTIONS

SCALE: SHEET 4 OF 6 SHEETS STA. TO STA.

F.A.P. RTE.	SECTION	COUNTY	TOTAL SHEETS	SHEET NO.
681	(113 BR)BR & (113 BR-1)BR	LIVINGSTON	123	22
				CONTRACT NO. 66832
ILLINOIS FED. AID PROJECT				