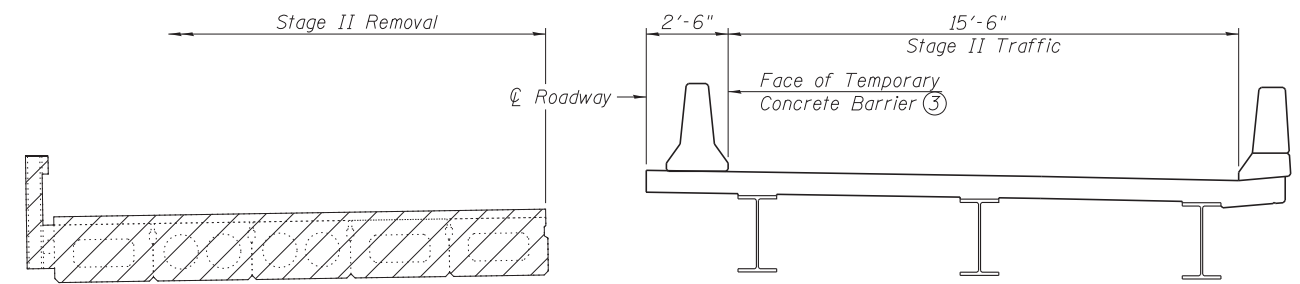
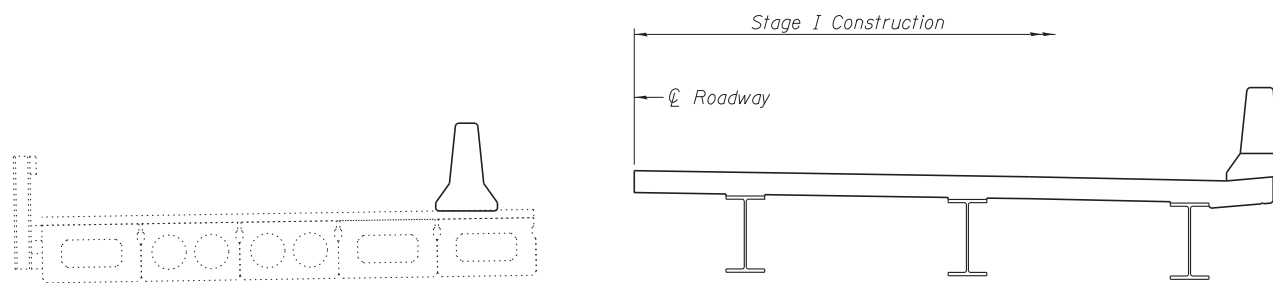


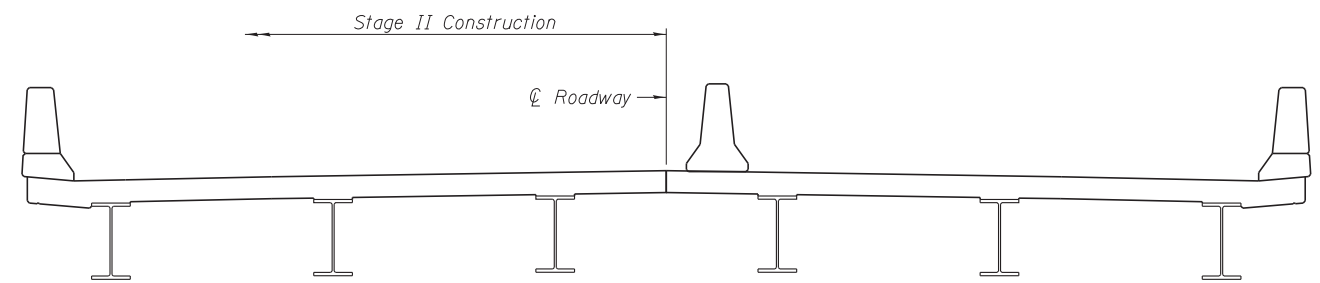
STAGE I REMOVAL ①④



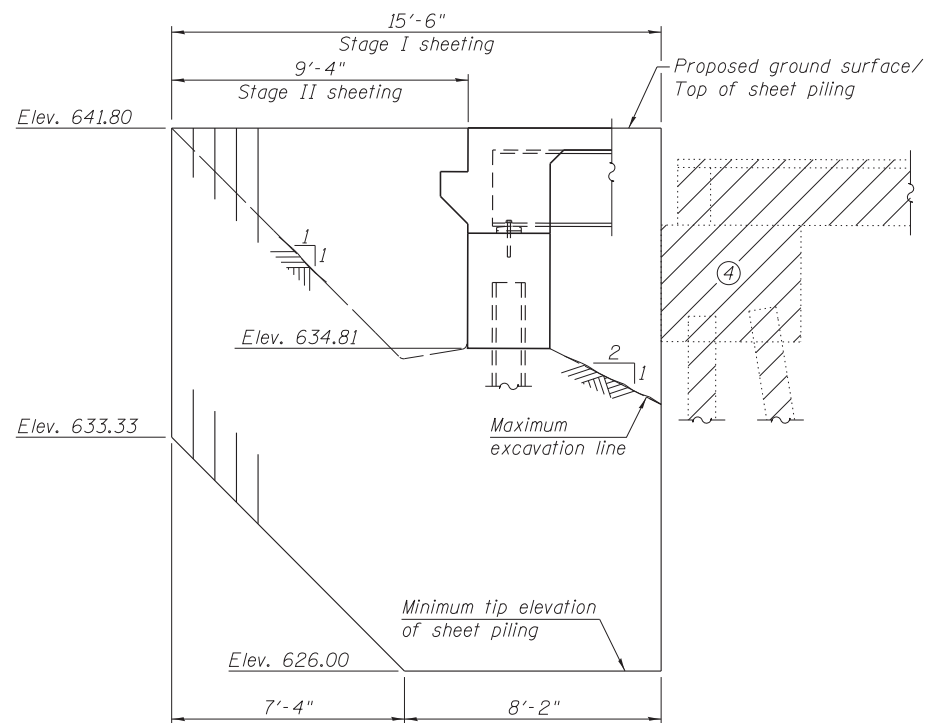
STAGE II REMOVAL ①④



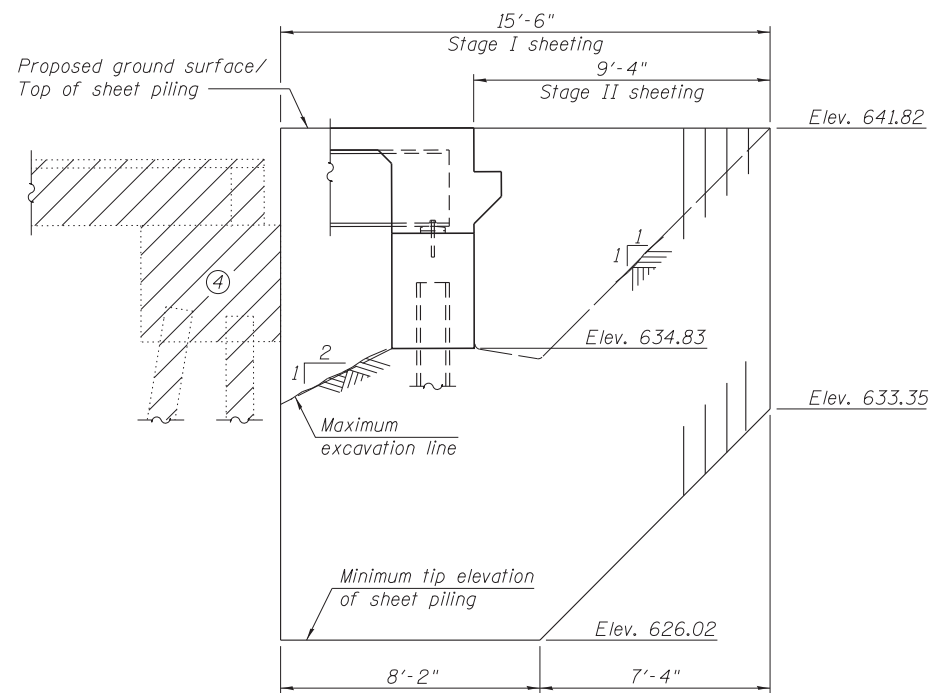
STAGE I CONSTRUCTION ①



STAGE II CONSTRUCTION ①



WEST ABUTMENT  
Minimum Section  
Modulus = 10 in<sup>3</sup>/ft



EAST ABUTMENT  
Minimum Section  
Modulus = 10 in<sup>3</sup>/ft

TEMPORARY SHEET PILING DETAIL ②

Notes:

- ① All views shown looking east.
- ② If the Contractor chooses to alter the temporary cantilevered sheet piling design requirements shown on the plans, a design submittal including plan details and calculations will be required for review and acceptance by the Engineer.
- ③ For details of Temporary Concrete Barrier, see sheet 4 of 22. For quantity of Temporary Concrete Barrier, see Roadway Plans.
- ④ Hatched area indicates Removal of Existing Structures.

USER NAME =	DESIGNED - DBB	REVISED
	CHECKED - JAD	REVISED
PLOT SCALE =	DRAWN - DBB	REVISED
PLOT DATE =	CHECKED - JAD	REVISED

F.A.P. RTE.	SECTION	COUNTY	TOTAL SHEETS	SHEET NO.
681	(113 BR1BR & 113 BR-1)BR	LIVINGSTON	123	33
				CONTRACT NO. 66832