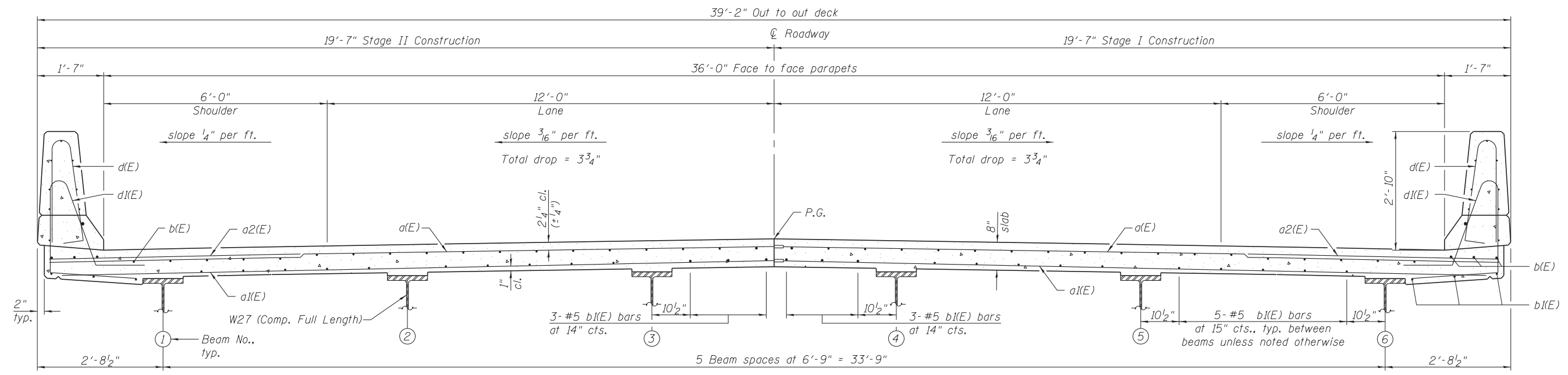


PLAN

- Notes:
- For Section A-A, see sheet 11 of 22.
  - For superstructure details, Bill of Material, bar details, and parapet reinforcement, see sheet 10 of 22.
  - Bars indicated thus 36 x 3-#5 etc. indicates 36 lines of bars with 3 lengths per line.
  - For details of Bar Splicers, see sheet 19 of 22.

MINIMUM BAR LAP  
#5 bar = 2'-7"



CROSS SECTION  
(Looking East)



USER NAME =	DESIGNED - DBB	REVISIONS
	CHECKED - JAD	REVISIONS
PLOT SCALE =	DRAWN - DBB	REVISIONS
PLOT DATE =	CHECKED - JAD	REVISIONS

STATE OF ILLINOIS  
DEPARTMENT OF TRANSPORTATION

SUPERSTRUCTURE  
STRUCTURE NO. 053-0190

SHEET NO. 9 OF 22 SHEETS

F.A.P. RTE.	SECTION	COUNTY	TOTAL SHEETS	SHEET NO.
681	(113 BR1BR & (113 BR-1)BR	LIVINGSTON	123	39
CONTRACT NO. 66832				

ILLINOIS FED. AID PROJECT