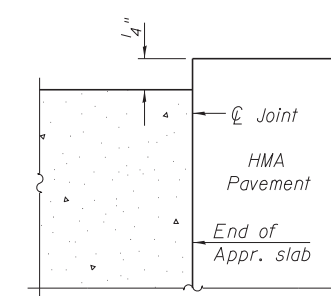
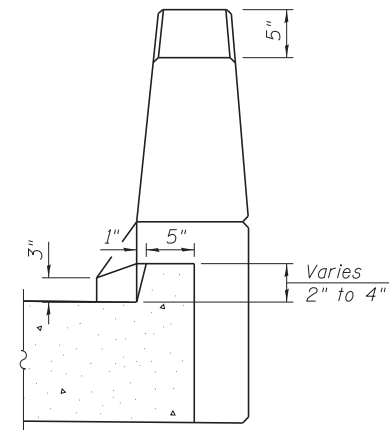
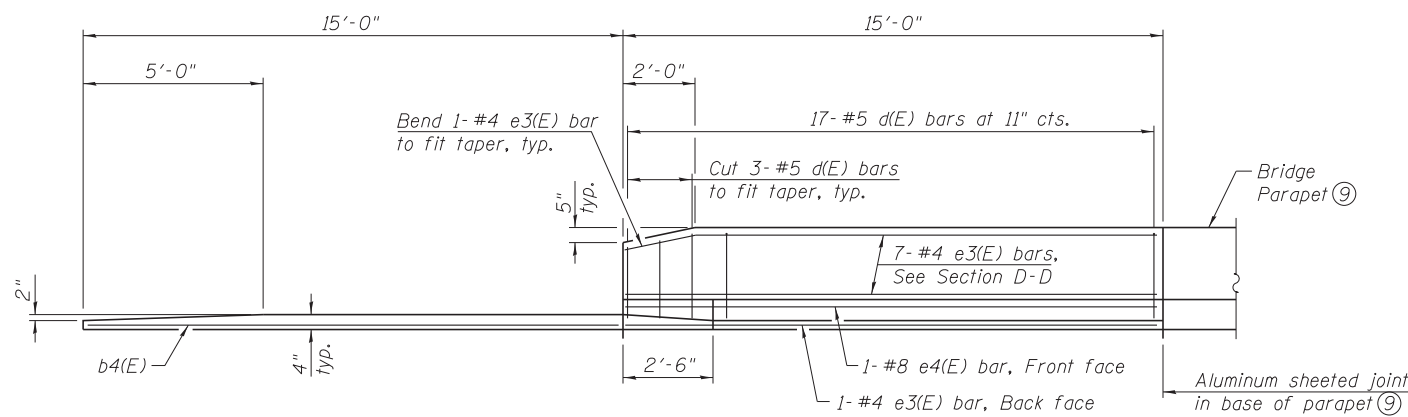
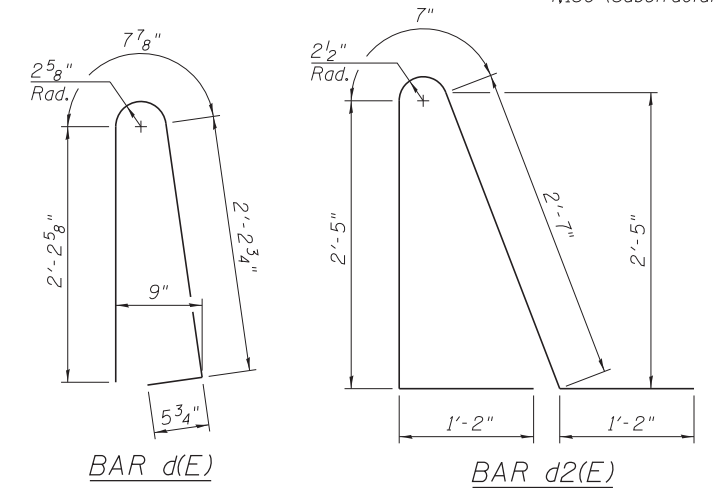
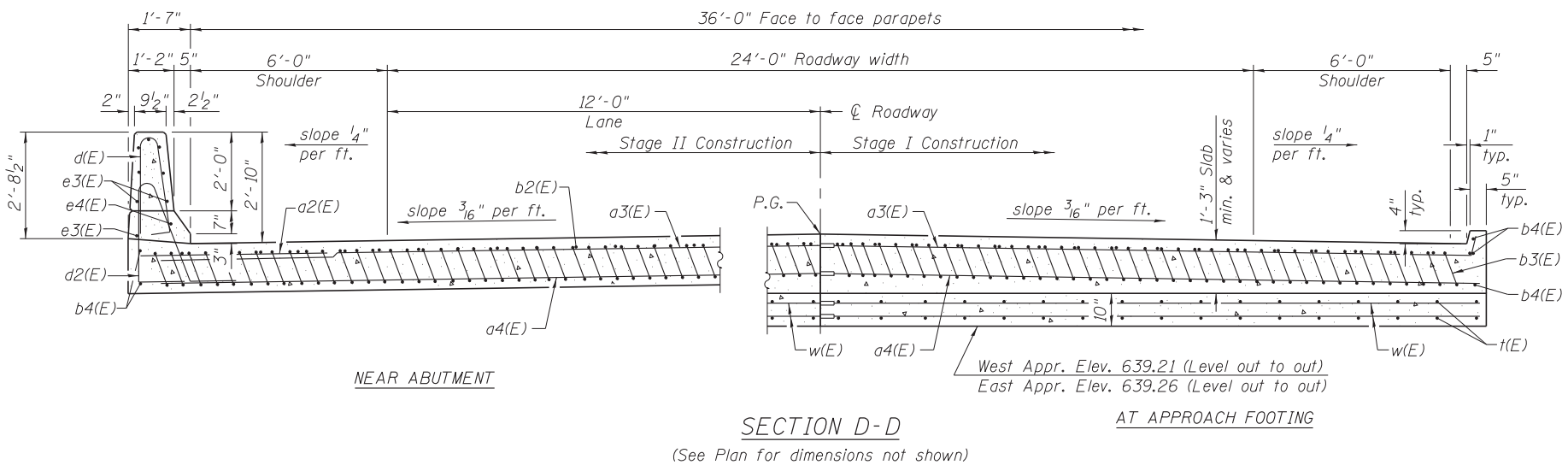


- Notes:
- ① Approach slab and parapet concrete shall be paid for as Concrete Superstructure.
 - ② Approach footing concrete shall be paid for as Concrete Structures.
 - ③ Reinforcement shall be paid for as Reinforcement Bars, Epoxy Coated.
 - ④ For v(E) bar details, see sheet 10 of 22.
 - ⑤ The approach footing maximum applied service bearing pressure (Qmax) = 2.0 ksf.
 - ⑥ For bar splicer details, see sheet 19 of 22.
 - ⑦ Cost of excavation for approach footing included with Concrete Structures.
 - ⑧ For Porous Granular Embankment, Special and drainage treatment details, see sheet 2 of 22.
 - ⑨ For additional parapet details, see sheet 10 of 22.
 - ⑩ Tilt #9 b3(E) bars as required to maintain clearance.
 - ⑪ Cost included with Concrete Superstructure.
 - ⑫ Calculated weight of Reinforcement Bars, Epoxy Coated = 26,390 (Superstructure) 4,130 (Substructure)



TWO APPROACHES
BILL OF MATERIAL

Bar	No.	Size	Length	Shape
a2(E)	48	#6	6'-6"	—
a3(E)	100	#4	18'-9"	—
a4(E)	184	#5	18'-7"	—
b2(E)	64	#4	29'-8"	—
b3(E)	180	#9	29'-9"	—
b4(E)	20	#4	14'-8"	—
d(E)	68	#5	5'-7"	—
d2(E)	68	#5	7'-11"	—
e3(E)	32	#4	14'-8"	—
e4(E)	4	#8	14'-8"	—
t(E)	160	#4	9'-8"	—
w(E)	160	#5	18'-7"	—
Concrete Structures			Cu. Yd.	23.3
Concrete Superstructure			Cu. Yd.	120.2
Reinforcement Bars, Epoxy Coated			Pound	30,520

