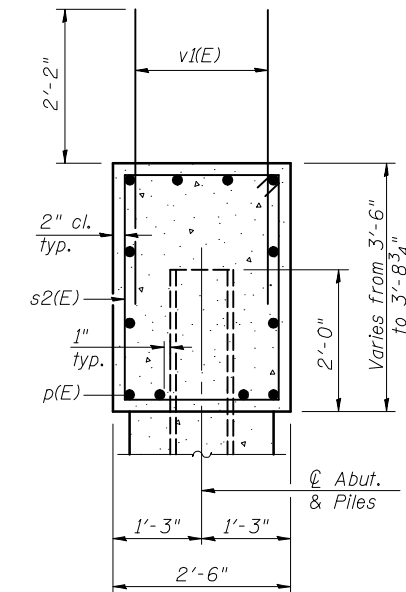


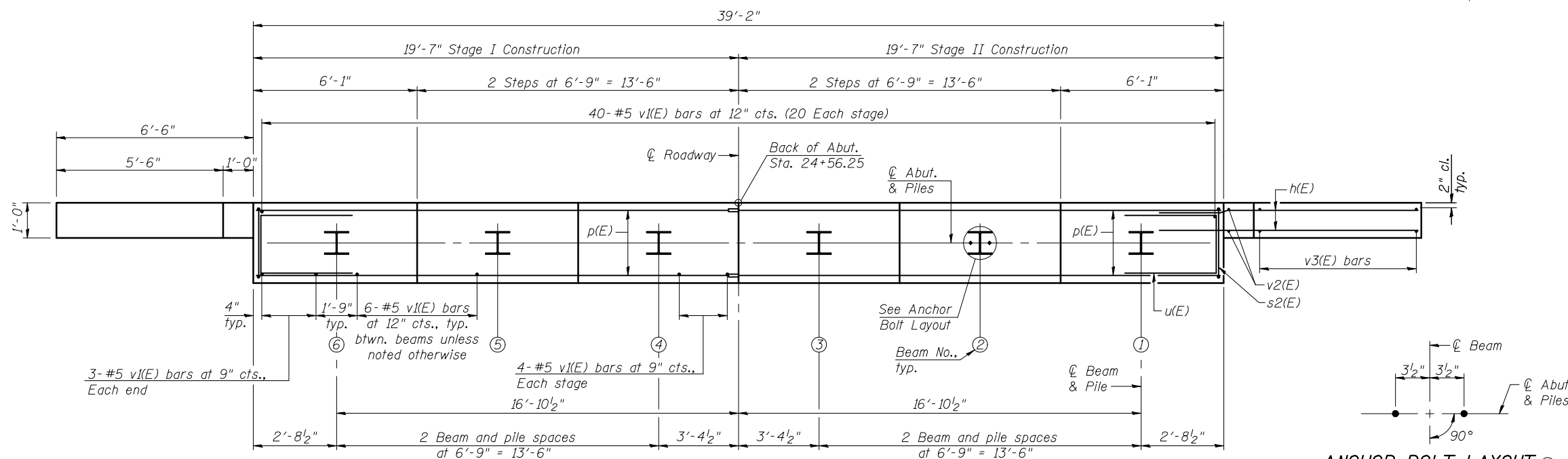
SHOWING DIMENSIONS

SHOWING REINFORCEMENT

ELEVATION
(Looking West)



SEC. THRU ABUT.

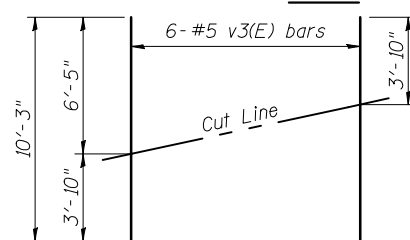


PLAN

ANCHOR BOLT LAYOUT ③

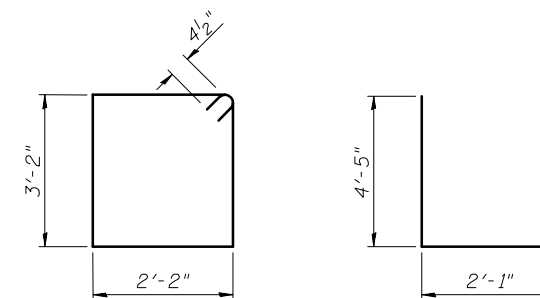
PILE DATA

Type: Steel HP12x53 with pile shoes
 Nominal Required Bearing: 419 kips
 Factored Resistance Available: 230 kips
 Est. Length: 20'
 No. Production Piles: 5
 No. Test Piles: 1



FIELD CUTTING DIAGRAM

Order v3(E) full length. Cut as shown and use remainder of bars in opposite face.



BAR s2(E)

BAR u(E)

BILL OF MATERIAL

Bar	No.	Size	Length	Shape
h(E)	40	#5	8'-6"	—
p(E)	24	#7	19'-3"	—
s2(E)	42	#4	11'-5"	□
u(E)	8	#6	10'-11"	—
v1(E)	78	#5	4'-4"	—
v2(E)	4	#5	6'-6"	—
v3(E)	12	#5	10'-3"	—
Structure Excavation			Cu. Yd.	95
Concrete Structures			Cu. Yd.	15.9
Concrete Encasement			Cu. Yd.	2.1
Reinforcement Bars, Epoxy Coated			Pound	2,260
Furnishing Steel Piles HP12x53			Foot	100
Driving Piles			Foot	100
Test Pile Steel HP12x53			Each	1
Pile Shoes			Each	6

- Notes:
 ① Pour steps monolithically with cap.
 ② For details of piles and Concrete Encasement, see sheet 18 of 22.
 ③ Space reinforcement in cap to miss anchor bolts.
 ④ For details of Bar Splicers, see sheet 19 of 22.



USER NAME =	DESIGNED - DBB	REVISED
	CHECKED - JAD	REVISED
PLOT SCALE =	DRAWN - DBB	REVISED
PLOT DATE =	CHECKED - JAD	REVISED

STATE OF ILLINOIS
DEPARTMENT OF TRANSPORTATION

WEST ABUTMENT DETAILS
STRUCTURE NO. 053-0190

SHEET NO. 16 OF 22 SHEETS

F.A.P. RTE.	SECTION	COUNTY	TOTAL SHEETS	SHEET NO.
681	(113 BR)BR	LIVINGSTON	123	46
CONTRACT NO. 66832				

ILLINOIS FED. AID PROJECT